

★ LR5202-2HRS-TVH-XL

Track roller

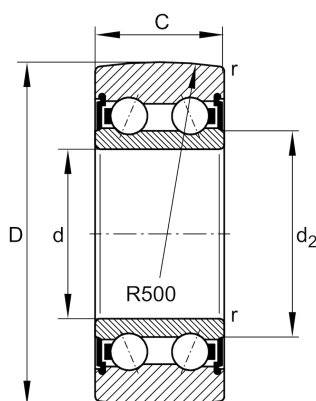
Schaeffler ID:
0825154250000

Track roller LR...-2HRS-TVH-XL, two-row,
no plastic tyre

★ Preferred product

X-life

Technical information



Main Dimensions & Performance Data

D	40 mm	Outside diameter
d	15 mm	Bore diameter
C	15,9 mm	Height
$C_{r w}$	10.800 N	Basic dynamic load rating, radial
$C_{0r w}$	7.700 N	Basic static load rating, radial
$C_{ur w}$	390 N	Fatigue load limit, radial
n_{DG}	7.400 1/min	Speed on permanent grease lubrication
$F_{r per}$	7.700 N	Permissible dynamic load outer ring, radial
	0,11 kg	Weight

Dimensions

d_2	21 mm	Diameter of thrust washer
r_{min}	0,6 mm	Minimum chamfer dimension
R	500 mm	Radius of outer ring outside profile