



★ LR5202-2Z-TVH-XL

Track roller

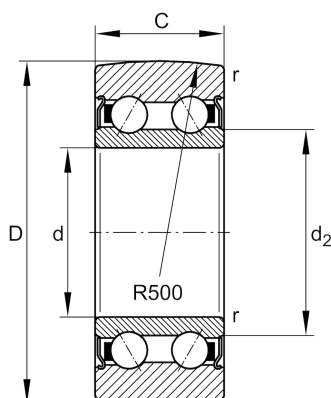
Schaeffler ID:
0825161540000

Track roller LR...-2Z-TVH-XL, two-row, no plastic tyre

★ Preferred product

X-life

Technical information



Main Dimensions & Performance Data

| | | |
|--------------------|--------------|---|
| D | 40 mm | Outside diameter |
| d | 15 mm | Bore diameter |
| C | 15,9 mm | Height |
| C _{r w} | 10.800 N | Basic dynamic load rating, radial |
| C _{0r w} | 7.700 N | Basic static load rating, radial |
| C _{ur w} | 390 N | Fatigue load limit, radial |
| n _{DG} | 10.200 1/min | Speed on permanent grease lubrication |
| F _{r per} | 7.700 N | Permissible dynamic load outer ring, radial |
| | 0,11 kg | Weight |

Dimensions

| | | |
|------------------|--------|--------------------------------------|
| d ₂ | 21 mm | Diameter of thrust washer |
| r _{min} | 0,6 mm | Minimum chamfer dimension |
| R | 500 mm | Radius of outer ring outside profile |