

★ LR5205-2Z-TVH-XL

Track roller

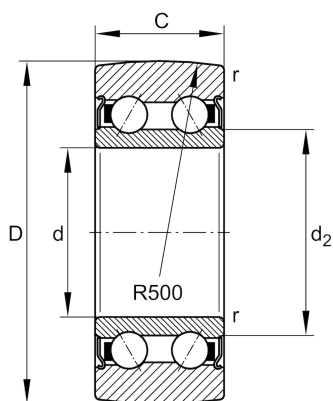
Schaeffler ID:
0827484460000

Track roller LR...-2Z-TVH-XL, two-row, no plastic tyre

★ Preferred product

X-life

Technical information



Main Dimensions & Performance Data

| | | |
|-------------|-------------|---|
| D | 62 mm | Outside diameter |
| d | 25 mm | Bore diameter |
| C | 20,6 mm | Height |
| $C_{r w}$ | 19.700 N | Basic dynamic load rating, radial |
| $C_{0r w}$ | 15.900 N | Basic static load rating, radial |
| $C_{ur w}$ | 820 N | Fatigue load limit, radial |
| n_{DG} | 6.500 1/min | Speed on permanent grease lubrication |
| $F_{r per}$ | 15.900 N | Permissible dynamic load outer ring, radial |
| | 0,34 kg | Weight |

Dimensions

| | | |
|-----------|---------|--------------------------------------|
| d_2 | 34,2 mm | Diameter of thrust washer |
| r_{min} | 1 mm | Minimum chamfer dimension |
| R | 500 mm | Radius of outer ring outside profile |