

★ KWVE25-B

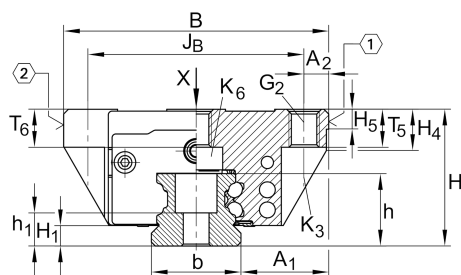
Recirculating ball bearing carriage

Schaeffler ID:
0108317460240

Carriages KWVE...-B, standard carriage,
four-row, full complement ball set

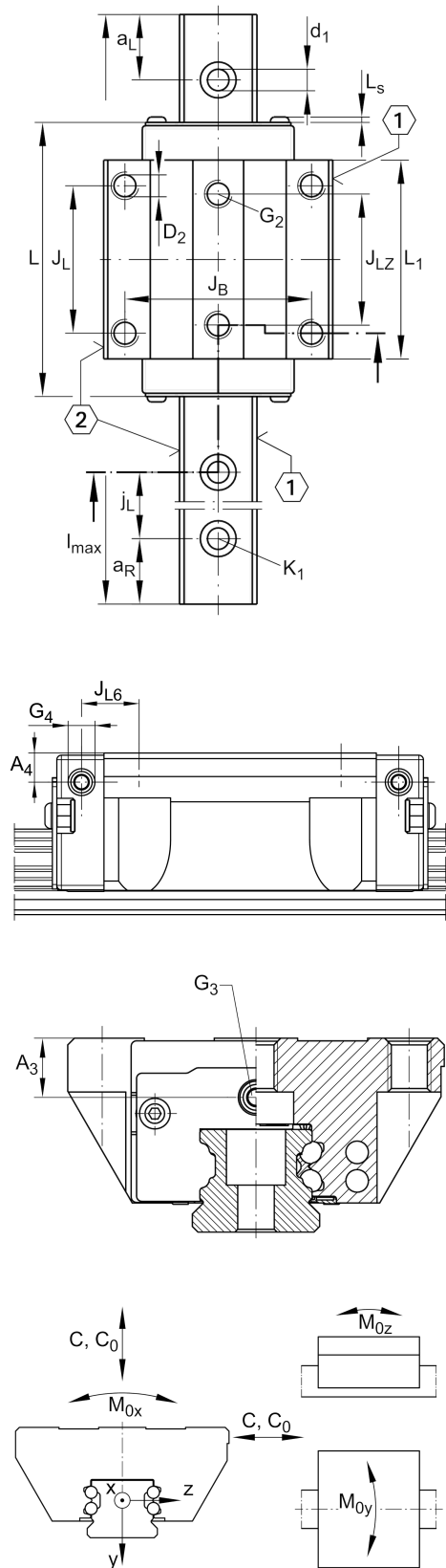
★ Preferred product

Technical information



Main Dimensions & Performance Data

H	36 mm	height system
B	70 mm	width carriage
L	83,3 mm	overall length carriage
C	17.900 N	dynamic load rating
C ₀	37.000 N	static load rating
M _{0x}	510 Nm	static moment rating about X axis
M _{0y}	395 Nm	static moment rating about Y axis
M _{0z}	395 Nm	static moment rating about Z axis
	0,71 kg	Weight



Mounting dimensions

VMKB_065	KWVE	Material name
A ₁	23,5 mm	
J _B	57 mm	
b	23 mm	width rail
A ₂	6,5 mm	
L ₁	60,7 mm	
L _S	1,65 mm	
J _L	45 mm	
J _{LZ}	40 mm	
H ₁	5,1 mm	
H ₄	10,9 mm	
H ₅	5,25 mm	
T ₅	10 mm	
T ₆	10 mm	
G ₂	M8	fixing screws below (DIN ISO 4762-12.9)
G ₂ M _A	24 Nm	maximum tightening torque
K ₃	M6	fixing screws below (DIN ISO 4762-12.9)
K ₃ M _A	17 Nm	maximum tightening torque
K ₆	M6	fixing screws below (DIN ISO 4762-12.9)
K ₆ M _A	17 Nm	maximum tightening torque
D ₂	6,7 mm	
A ₃	11 mm	position lubrication connector
G ₃	M6	lubrication connector
t G ₃	7 mm	maximum permissible screw depth for lubrication connectors
A ₄	6,5 mm	position lubrication connector
G ₄	M6 mm	lubrication connector
t G ₄	7 mm	maximum permissible screw depth for lubrication connectors
J _{L6}	12,85 mm	position lubrication connector

