

★ KWVE25-B-H

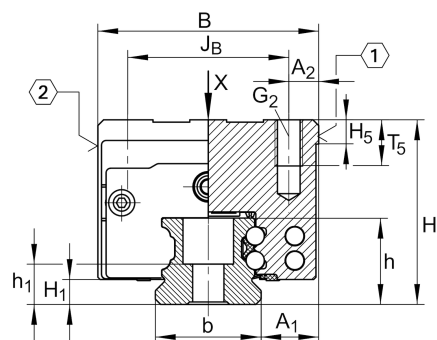
Recirculating ball bearing carriage

Schaeffler ID:
0114018850240

Carriages KWVE...-B-H, high, narrow
carriage, four-row

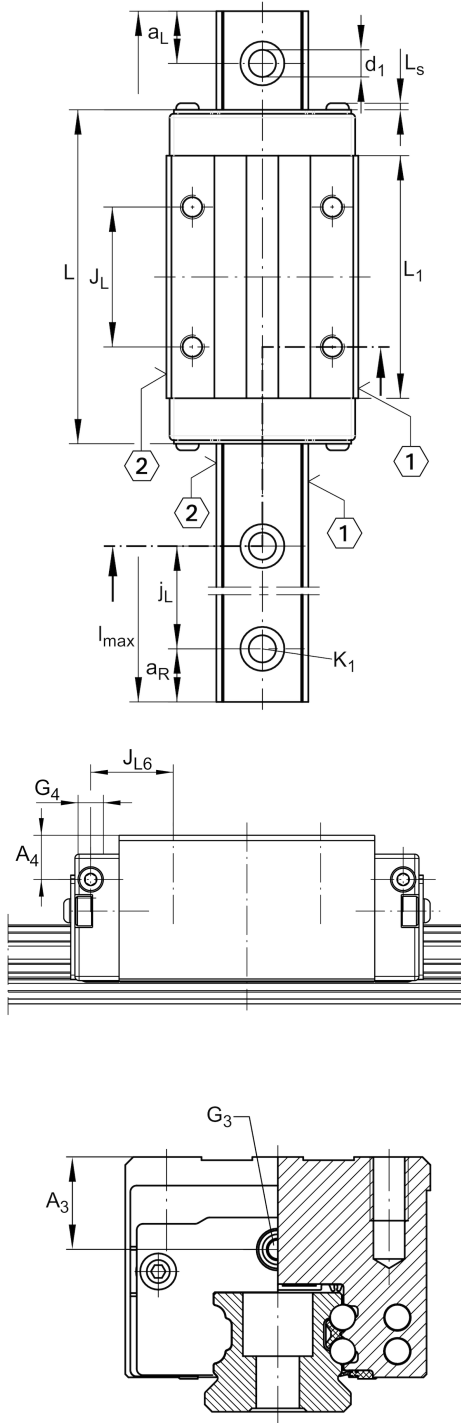
★ Preferred product

Technical information



Main Dimensions & Performance Data

H	40 mm	height system
B	48 mm	width carriage
L	83,3 mm	overall length carriage
C	17.900 N	dynamic load rating
C ₀	39.000 N	static load rating
M _{0x}	510 Nm	static moment rating about X axis
M _{0y}	395 Nm	static moment rating about Y axis
M _{0z}	395 Nm	static moment rating about Z axis
	0,667 kg	Weight



Mounting dimensions

VMKB_065	KWVE	Material name
A_1	12,5 mm	
J_B	35 mm	
b	23 mm	width rail
A_2	6,5 mm	
L_1	60,7 mm	
L_s	1,65 mm	
J_L	35 mm	
H_1	5,1 mm	
H_5	5,25 mm	
T_5	10 mm	
G_2	M6	fixing screws below (DIN ISO 4762-12.9)
$G_2 M_A$	17 Nm	maximum tightening torque
A_3	15 mm	position lubrication connector
G_3	M6	lubrication connector
t_{G_3}	7 mm	maximum permissible screw depth for lubrication connectors
A_4	10,5 mm	position lubrication connector
G_4	M6 mm	lubrication connector
t_{G_4}	7 mm	maximum permissible screw depth for lubrication connectors
J_{L6}	17,9 mm	position lubrication connector

