

★ KWVE20-B

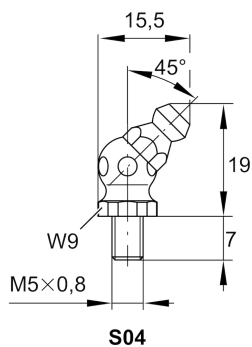
Recirculating ball bearing carriage

Schaeffler ID:
0124487610240

Carriages KWVE...-B, standard carriage,
four-row, full complement ball set

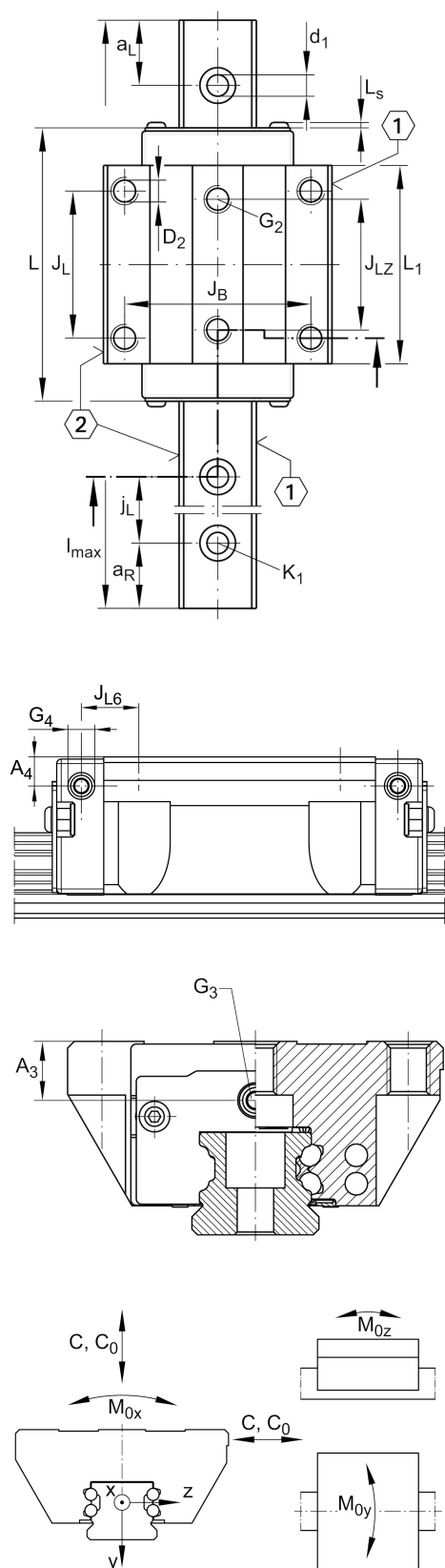
★ Preferred product

Technical information



Main Dimensions & Performance Data

H	30 mm	height system
B	63 mm	width carriage
L	71,4 mm	overall length carriage
C	13.100 N	dynamic load rating
C ₀	27.000 N	static load rating
M _{0x}	332 Nm	static moment rating about X axis
M _{0y}	240 Nm	static moment rating about Y axis
M _{0z}	240 Nm	static moment rating about Z axis
	0,465 kg	Weight



Mounting dimensions

VMKB_065	KWVE	Material name
A ₁	21,5 mm	
J _B	53 mm	
b	20 mm	width rail
A ₂	5 mm	
L ₁	50,4 mm	
L _S	1,3 mm	
J _L	40 mm	
J _{LZ}	35 mm	
H ₁	4,5 mm	
H ₄	11 mm	
H ₅	5,25 mm	
T ₅	10 mm	
T ₆	7,5 mm	
G ₂	M6	fixing screws below (DIN ISO 4762-12.9)
G ₂ M _A	10 Nm	maximum tightening torque
K ₃	M5	fixing screws below (DIN ISO 4762-12.9)
K ₃ M _A	10 Nm	maximum tightening torque
K ₆	M5	fixing screws below (DIN ISO 4762-12.9)
K ₆ M _A	10 Nm	maximum tightening torque
D ₂	5,5 mm	
A ₃	7,7 mm	position lubrication connector
G ₃	M5	lubrication connector
t G ₃	7 mm	maximum permissible screw depth for lubrication connectors
A ₄	4,6 mm	position lubrication connector
G ₄	M5 mm	lubrication connector
t G ₄	5,5 mm	maximum permissible screw depth for lubrication connectors
J _{L6}	9,4 mm	position lubrication connector

