

★ KWVE25-B-HL

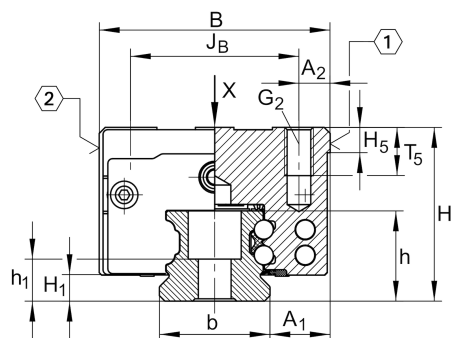
Recirculating ball bearing carriage

Schaeffler ID:
0127396000240

Carriages KWVE...-B-HL, high, narrow,
long carriage, four-row

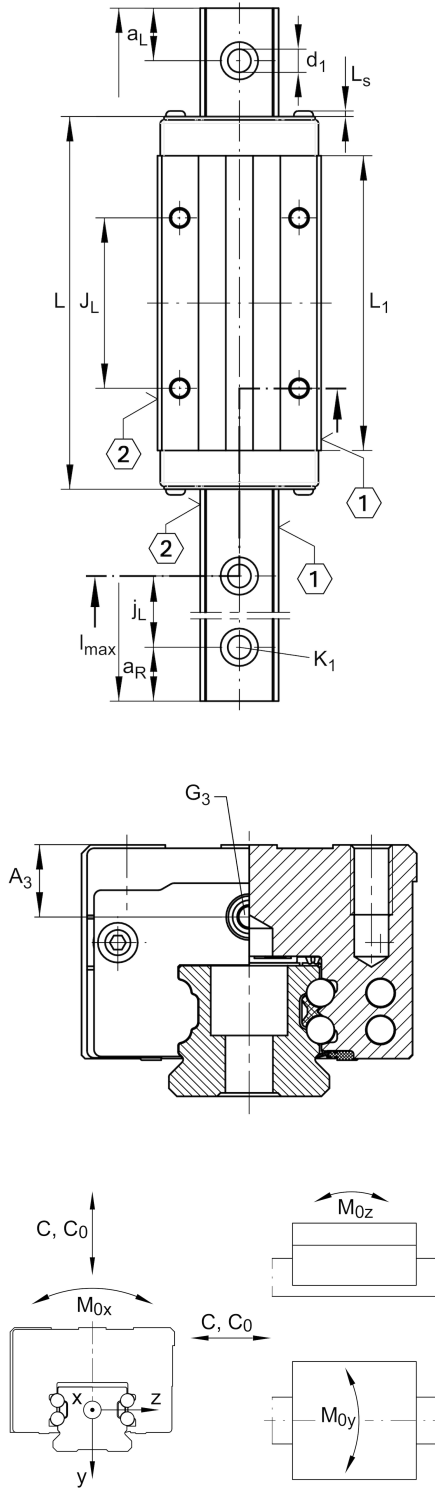
★ Preferred product

Technical information



Main Dimensions & Performance Data

H	40 mm	height system
B	48 mm	width carriage
L	109,1 mm	overall length carriage
C	23.400 N	dynamic load rating
C_0	54.000 N	static load rating
M_{0x}	745 Nm	static moment rating about X axis
M_{0y}	825 Nm	static moment rating about Y axis
M_{0z}	825 Nm	static moment rating about Z axis
	0,94 kg	Weight



Mounting dimensions

VMKB_065	KWVE	Material name
A_1	12,5 mm	
J_B	35 mm	
b	23 mm	width rail
A_2	6,5 mm	
L_1	86,5 mm	
L_s	1,65 mm	
J_L	50 mm	
H_1	5,1 mm	
H_5	5,25 mm	
T_5	10 mm	
G_2	M6	fixing screws below (DIN ISO 4762-12.9)
$G_2 M_A$	17 Nm	maximum tightening torque
A_3	15 mm	position lubrication connector
G_3	M6	lubrication connector
t_{G_3}	7 mm	maximum permissible screw depth for lubrication connectors
A_4	10,5 mm	position lubrication connector
G_4	M6 mm	lubrication connector
t_{G_4}	7 mm	maximum permissible screw depth for lubrication connectors
J_{L6}	23,3 mm	position lubrication connector

