

★ KWVE35-B

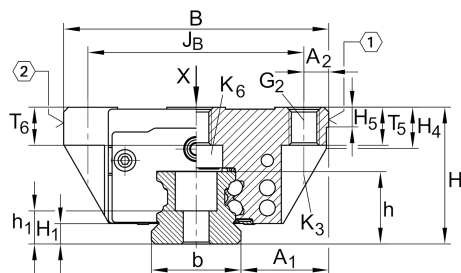
Recirculating ball bearing carriage

Schaeffler ID:
0174205550240

Carriages KWVE...-B, standard carriage,
four-row, full complement ball set

★ Preferred product

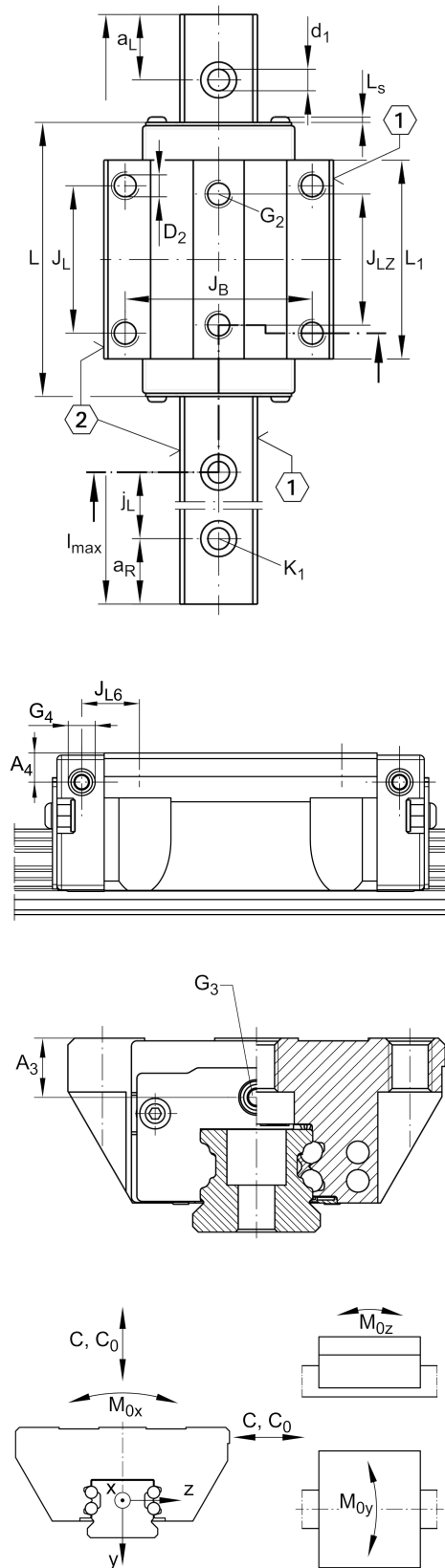
Technical information



Main Dimensions & Performance Data

| | | |
|-----------------|----------|-----------------------------------|
| H | 48 mm | height system |
| B | 100 mm | width carriage |
| L | 112 mm | overall length carriage |
| C | 38.000 N | dynamic load rating |
| C ₀ | 72.000 N | static load rating |
| M _{0x} | 1.465 Nm | static moment rating about X axis |
| M _{0y} | 1.020 Nm | static moment rating about Y axis |
| M _{0z} | 1.020 Nm | static moment rating about Z axis |
| | 1,78 kg | Weight |

Mounting dimensions



| VMKB_065 | KWVE | Material name |
|-------------------------------|---------|--|
| A ₁ | 33 mm | |
| J _B | 82 mm | |
| b | 34 mm | width rail |
| A ₂ | 9 mm | |
| L ₁ | 80 mm | |
| L _S | 1,65 mm | |
| J _L | 62 mm | |
| J _{LZ} | 52 mm | |
| H ₁ | 6,7 mm | |
| H ₄ | 14,3 mm | |
| H ₅ | 6,75 mm | |
| T ₅ | 13 mm | |
| T ₆ | 12,3 mm | |
| G ₂ | M10 | fixing screws below (DIN ISO 4762-12.9) |
| G ₂ M _A | 41 Nm | maximum tightening torque |
| K ₃ | M8 | fixing screws below (DIN ISO 4762-12.9) |
| K ₃ M _A | 41 Nm | maximum tightening torque |
| K ₆ | M8 | fixing screws below (DIN ISO 4762-12.9) |
| K ₆ M _A | 41 Nm | maximum tightening torque |
| D ₂ | 8,6 mm | |
| A ₃ | 12,3 mm | position lubrication connector |
| G ₃ | M6 | lubrication connector |
| t G ₃ | 7 mm | maximum permissible screw depth for lubrication connectors |
| A ₄ | 11 mm | position lubrication connector |
| G ₄ | M6 mm | lubrication connector |
| t G ₄ | 7 mm | maximum permissible screw depth for lubrication connectors |
| J _{L6} | 16 mm | position lubrication connector |

