

## ★ KWVE45-B

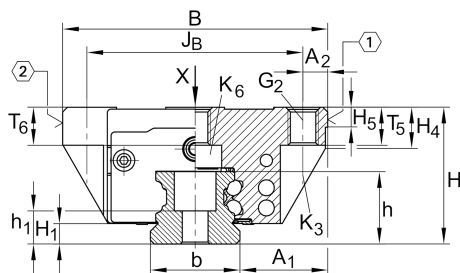
Recirculating ball bearing carriage

Schaeffler ID:  
0180750610240

Carriages KWVE...-B, standard carriage,  
four-row, full complement ball set

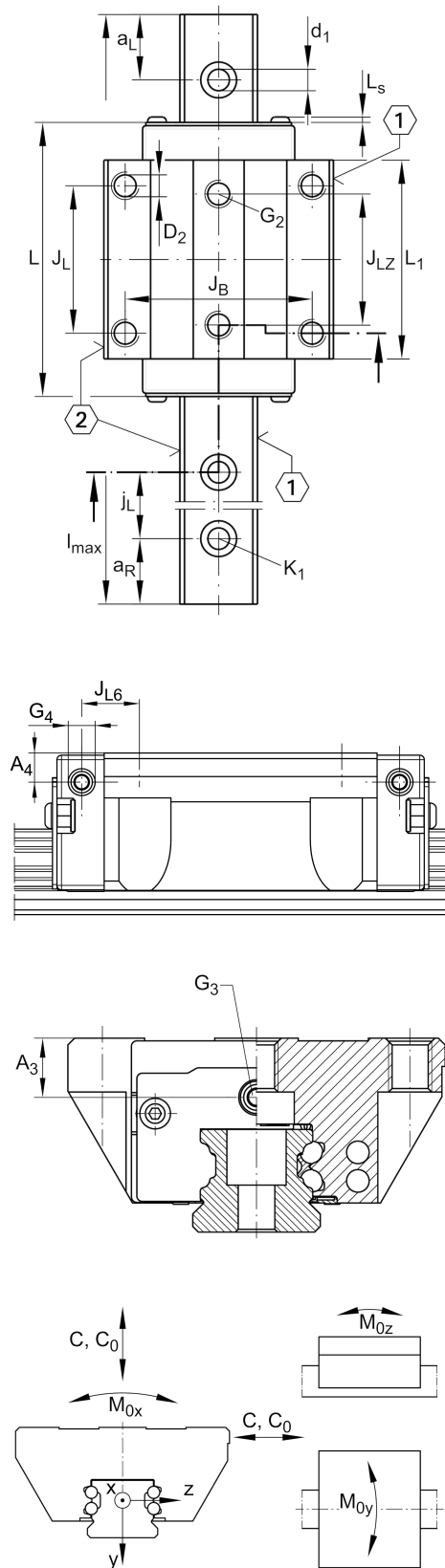
★ Preferred product

### Technical information



### Main Dimensions & Performance Data

H	60 mm	height system
B	120 mm	width carriage
L	140,6 mm	overall length carriage
C	69.000 N	dynamic load rating
C <sub>0</sub>	141.000 N	static load rating
M <sub>0x</sub>	3.610 Nm	static moment rating about X axis
M <sub>0y</sub>	2.485 Nm	static moment rating about Y axis
M <sub>0z</sub>	2.485 Nm	static moment rating about Z axis
	3,4 kg	Weight



## Mounting dimensions

VMKB_065	KWVE	Material name
A <sub>1</sub>	37,5 mm	
J <sub>B</sub>	100 mm	
b	45 mm	width rail
A <sub>2</sub>	10 mm	
L <sub>1</sub>	102,5 mm	
L <sub>S</sub>	2,2 mm	
J <sub>L</sub>	80 mm	
J <sub>LZ</sub>	60 mm	
H <sub>1</sub>	9,7 mm	
H <sub>4</sub>	19,9 mm	
H <sub>5</sub>	9,25 mm	
T <sub>5</sub>	15 mm	
T <sub>6</sub>	15 mm	
G <sub>2</sub>	M12	fixing screws below (DIN ISO 4762-12.9)
G <sub>2</sub> M <sub>A</sub>	83 Nm	maximum tightening torque
K <sub>3</sub>	M10	fixing screws below (DIN ISO 4762-12.9)
K <sub>3</sub> M <sub>A</sub>	83 Nm	maximum tightening torque
K <sub>6</sub>	M10	fixing screws below (DIN ISO 4762-12.9)
K <sub>6</sub> M <sub>A</sub>	83 Nm	maximum tightening torque
D <sub>2</sub>	10,6 mm	
A <sub>3</sub>	16,5 mm	position lubrication connector
G <sub>3</sub>	M6	lubrication connector
t G <sub>3</sub>	7 mm	maximum permissible screw depth for lubrication connectors
A <sub>4</sub>	16,5 mm	position lubrication connector
G <sub>4</sub>	M6 mm	lubrication connector
t G <sub>4</sub>	7 mm	maximum permissible screw depth for lubrication connectors
J <sub>L6</sub>	19,25 mm	position lubrication connector

