

★ KWVE45-B-L

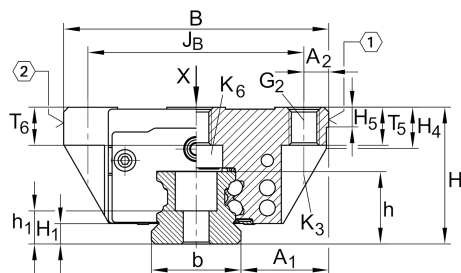
Recirculating ball bearing carriage

Schaeffler ID:
0180750880240

Carriages KWVE...-B-L, long carriage, four-row, full complement ball set

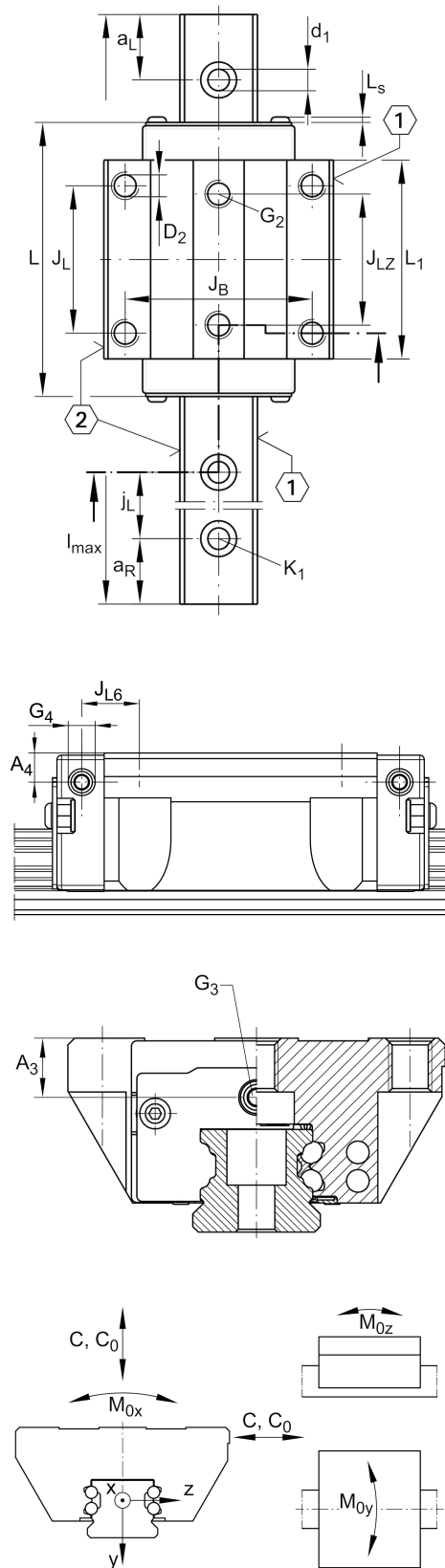
★ Preferred product

Technical information



Main Dimensions & Performance Data

H	60 mm	height system
B	120 mm	width carriage
L	172,7 mm	overall length carriage
C	82.000 N	dynamic load rating
C ₀	181.000 N	static load rating
M _{0x}	4.635 Nm	static moment rating about X axis
M _{0y}	4.000 Nm	static moment rating about Y axis
M _{0z}	4.000 Nm	static moment rating about Z axis
	4,473 kg	Weight



Mounting dimensions

VMKB_065	KWVE	Material name
A ₁	37,5 mm	
J _B	100 mm	
b	45 mm	width rail
A ₂	10 mm	
L ₁	134,6 mm	
L _S	2,2 mm	
J _L	80 mm	
J _{LZ}	60 mm	
H ₁	9,7 mm	
H ₄	19,9 mm	
H ₅	9,25 mm	
T ₅	15 mm	
T ₆	15 mm	
G ₂	M12	fixing screws below (DIN ISO 4762-12.9)
G ₂ M _A	83 Nm	maximum tightening torque
K ₃	M10	fixing screws below (DIN ISO 4762-12.9)
K ₃ M _A	83 Nm	maximum tightening torque
K ₆	M10	fixing screws below (DIN ISO 4762-12.9)
K ₆ M _A	83 Nm	maximum tightening torque
D ₂	10,6 mm	
A ₃	16,5 mm	position lubrication connector
G ₃	M6	lubrication connector
t G ₃	7 mm	maximum permissible screw depth for lubrication connectors
A ₄	16,5 mm	position lubrication connector
G ₄	M6 mm	lubrication connector
t G ₄	7 mm	maximum permissible screw depth for lubrication connectors
J _{L6}	35,3 mm	position lubrication connector

