

★ KWVE15-B-S

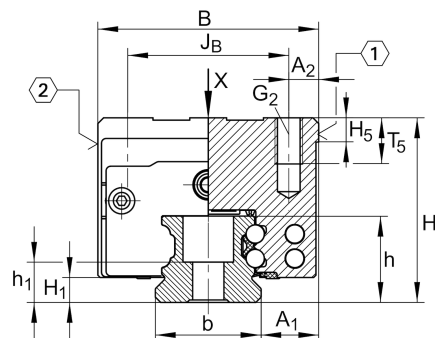
Recirculating ball bearing carriage

Schaeffler ID:
0197476240240

Carriages KWVE...-B-S, narrow carriage,
four-row

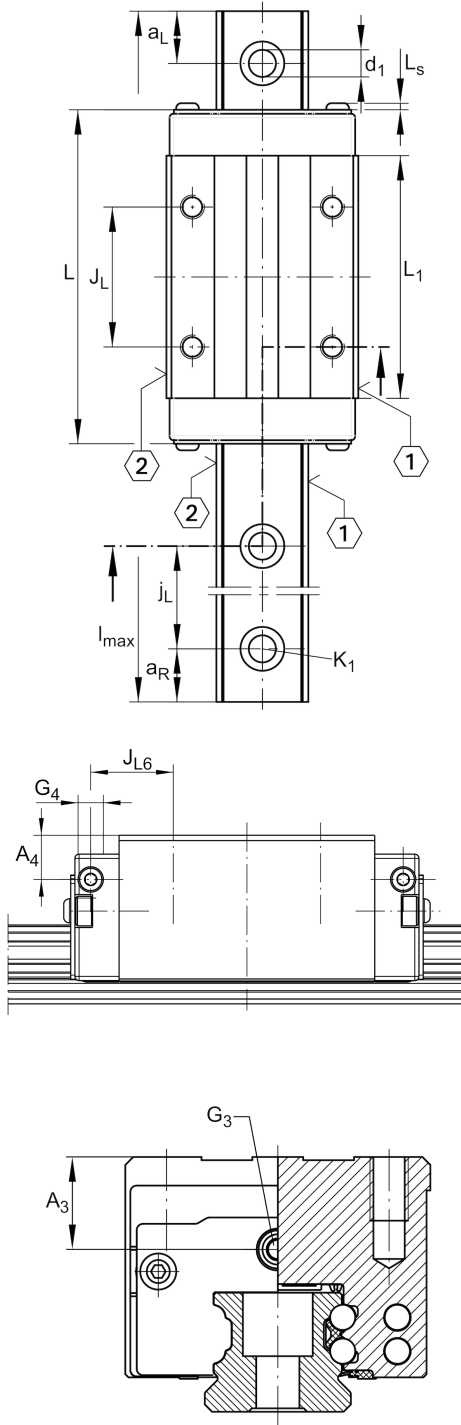
★ Preferred product

Technical information



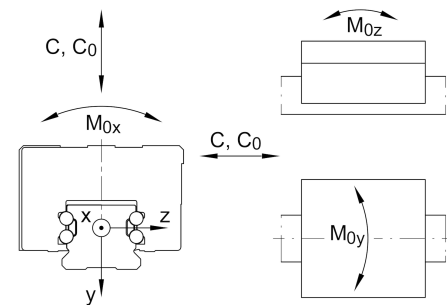
Main Dimensions & Performance Data

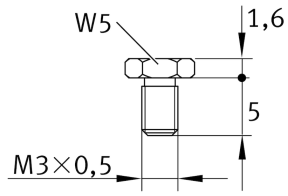
H	24 mm	height system
B	34 mm	width carriage
L	61,2 mm	overall length carriage
C	7.200 N	dynamic load rating
C_0	14.500 N	static load rating
M_{0x}	150 Nm	static moment rating about X axis
M_{0y}	100 Nm	static moment rating about Y axis
M_{0z}	100 Nm	static moment rating about Z axis
	0,166 kg	Weight



Mounting dimensions

VMKB_065	KWVE	Material name
A_1	9,5 mm	
J_B	26 mm	
b	15 mm	width rail
A_2	4 mm	
L_1	39,8 mm	
L_s	1,3 mm	
J_L	26 mm	
H_1	4,3 mm	
H_5	4,75 mm	
T_5	6 mm	
G_2	M4	fixing screws below (DIN ISO 4762-12.9)
$G_2 M_A$	5 Nm	maximum tightening torque
A_3	4,3 mm	position lubrication connector
G_3	M3	lubrication connector
t_{G_3}	5,5 mm	maximum permissible screw depth for lubrication connectors
A_4	3,2 mm	position lubrication connector
G_4	M3 mm	lubrication connector
t_{G_4}	5,5 mm	maximum permissible screw depth for lubrication connectors
J_{L6}	11,1 mm	position lubrication connector





S16