

★ KWVE30-B-H

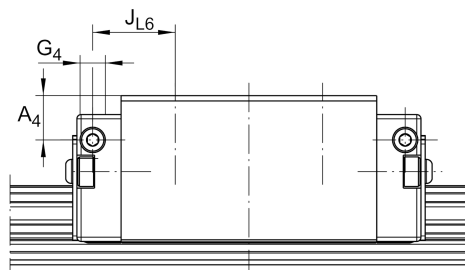
Recirculating ball bearing carriage

Schaeffler ID:
0199729200240

Carriages KWVE...-B-H, high, narrow
carriage, four-row

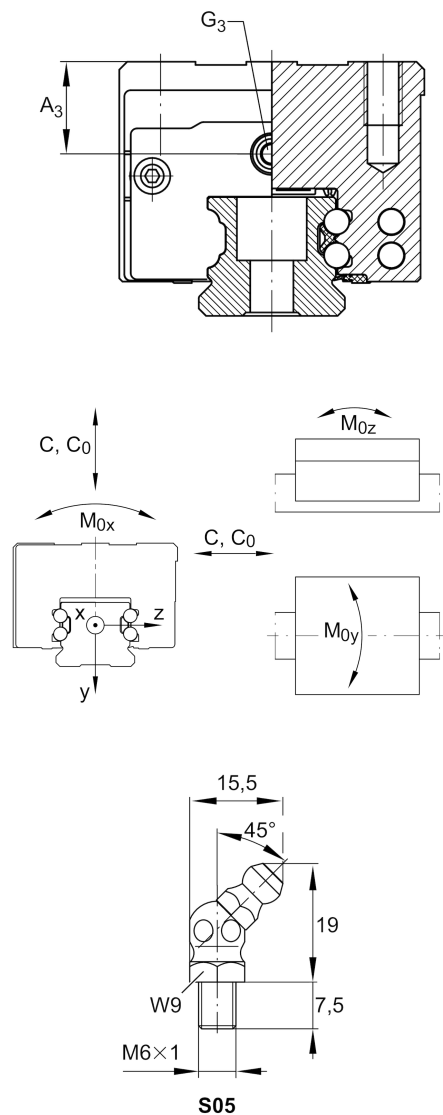
★ Preferred product

Technical information



Main Dimensions & Performance Data

H	45 mm	height system
B	60 mm	width carriage
L	99 mm	overall length carriage
C	27.500 N	dynamic load rating
C ₀	55.000 N	static load rating
M _{0x}	970 Nm	static moment rating about X axis
M _{0y}	700 Nm	static moment rating about Y axis
M _{0z}	700 Nm	static moment rating about Z axis
	1,09 kg	Weight



Mounting dimensions

VMKB_065	KWVE	Material name
A_1	16 mm	
J_B	40 mm	
b	28 mm	width rail
A_2	10 mm	
L_1	72 mm	
L_S	1,65 mm	
J_L	40 mm	
H_1	5,9 mm	
H_5	6,25 mm	
T_5	13,5 mm	
G_2	M8	fixing screws below (DIN ISO 4762-12.9)
$G_2 M_A$	41 Nm	maximum tightening torque
A_3	14,5 mm	position lubrication connector
G_3	M6	lubrication connector
t_{G_3}	7 mm	maximum permissible screw depth for lubrication connectors
A_4	10 mm	position lubrication connector
G_4	M6 mm	lubrication connector
t_{G_4}	7 mm	maximum permissible screw depth for lubrication connectors
J_{L6}	21,5 mm	position lubrication connector