



★ KWVE30-B-N

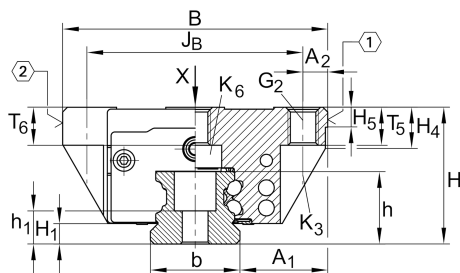
Recirculating ball bearing carriage

Schaeffler ID:
0199761510240

Carriages KWVE...-B-N, low carriage, four-row

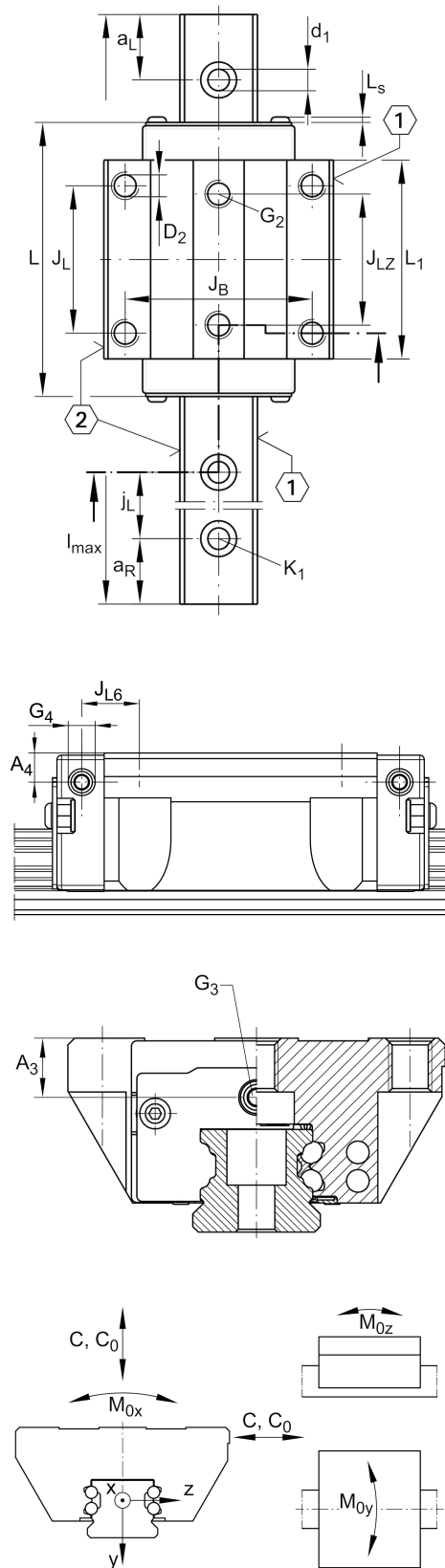
★ Preferred product

Technical information



Main Dimensions & Performance Data

H	38 mm	height system
B	90 mm	width carriage
L	99 mm	overall length carriage
C	27.500 N	dynamic load rating
C_0	55.000 N	static load rating
M_{0x}	970 Nm	static moment rating about X axis
M_{0y}	700 Nm	static moment rating about Y axis
M_{0z}	700 Nm	static moment rating about Z axis
	1,07 kg	Weight



Mounting dimensions

VMKB_065	KWVE	Material name
A ₁	31 mm	
J _B	72 mm	
b	28 mm	width rail
A ₂	9 mm	
L ₁	72 mm	
L _S	1,65 mm	
J _L	52 mm	
J _{LZ}	44 mm	
H ₁	5,9 mm	
H ₄	9,8 mm	
H ₅	6,25 mm	
T ₅	12 mm	
T ₆	9 mm	
G ₂	M10	fixing screws below (DIN ISO 4762-12.9)
G ₂ M _A	41 Nm	maximum tightening torque
K ₃	M8	fixing screws below (DIN ISO 4762-12.9)
K ₃ M _A	41 Nm	maximum tightening torque
K ₆	M8	fixing screws below (DIN ISO 4762-12.9)
K ₆ M _A	41 Nm	maximum tightening torque
D ₂	8,6 mm	
A ₃	7,5 mm	position lubrication connector
G ₃	M6	lubrication connector
t G ₃	7 mm	maximum permissible screw depth for lubrication connectors
A ₄	4,95 mm	position lubrication connector
G ₄	M5	lubrication connector
t G ₄	7 mm	maximum permissible screw depth for lubrication connectors
J _{L6}	15,1 mm	position lubrication connector

