

★ KWVE35-B-HL

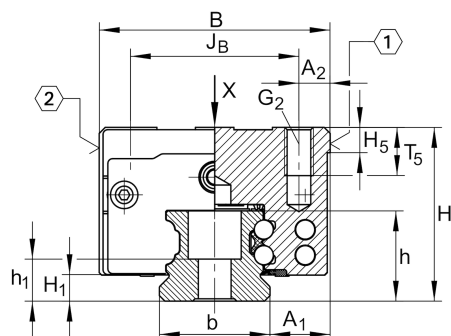
Recirculating ball bearing carriage

Schaeffler ID:
0200388950240

Carriages KWVE...-B-HL, high, narrow,
long carriage, four-row

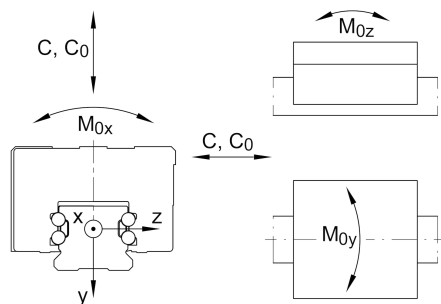
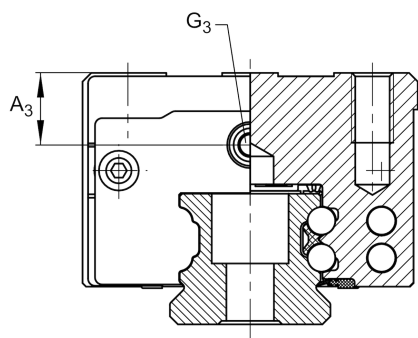
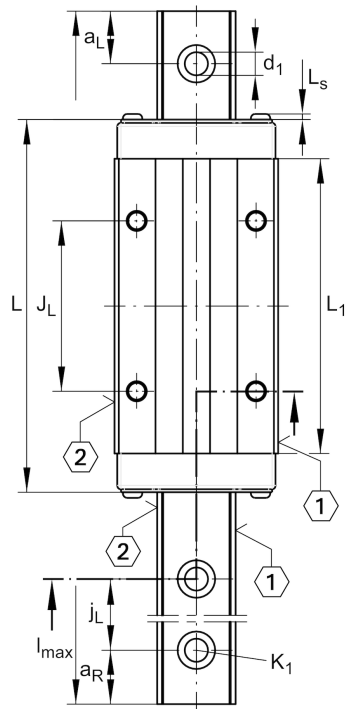
★ Preferred product

Technical information



Main Dimensions & Performance Data

H	55 mm	height system
B	70 mm	width carriage
L	145 mm	overall length carriage
C	47.500 N	dynamic load rating
C_0	100.000 N	static load rating
M_{0x}	2.625 Nm	static moment rating about X axis
M_{0y}	1.890 Nm	static moment rating about Y axis
M_{0z}	1.890 Nm	static moment rating about Z axis
	2,464 kg	Weight



Mounting dimensions

VMKB_065	KWVE	Material name
A ₁	18 mm	
J _B	50 mm	
b	34 mm	width rail
A ₂	10 mm	
L ₁	113 mm	
L _S	1,65 mm	
J _L	72 mm	
H ₁	6,7 mm	
H ₅	6,75 mm	
T ₅	13,5 mm	
G ₂	M8	fixing screws below (DIN ISO 4762-12.9)
G _{2 M_A}	41 Nm	maximum tightening torque
A ₃	19,3 mm	position lubrication connector
G ₃	M6	lubrication connector
t _{G₃}	7 mm	maximum permissible screw depth for lubrication connectors
A ₄	18 mm	position lubrication connector
G ₄	M6 mm	lubrication connector
t _{G₄}	7 mm	maximum permissible screw depth for lubrication connectors
J _{L6}	27,5 mm	position lubrication connector

