

## ★ KWVE45-B-H

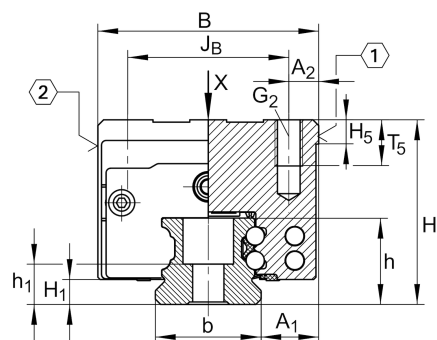
Recirculating ball bearing carriage

Schaeffler ID:  
0200702680240

Carriages KWVE...-B-H, high, narrow  
carriage, four-row

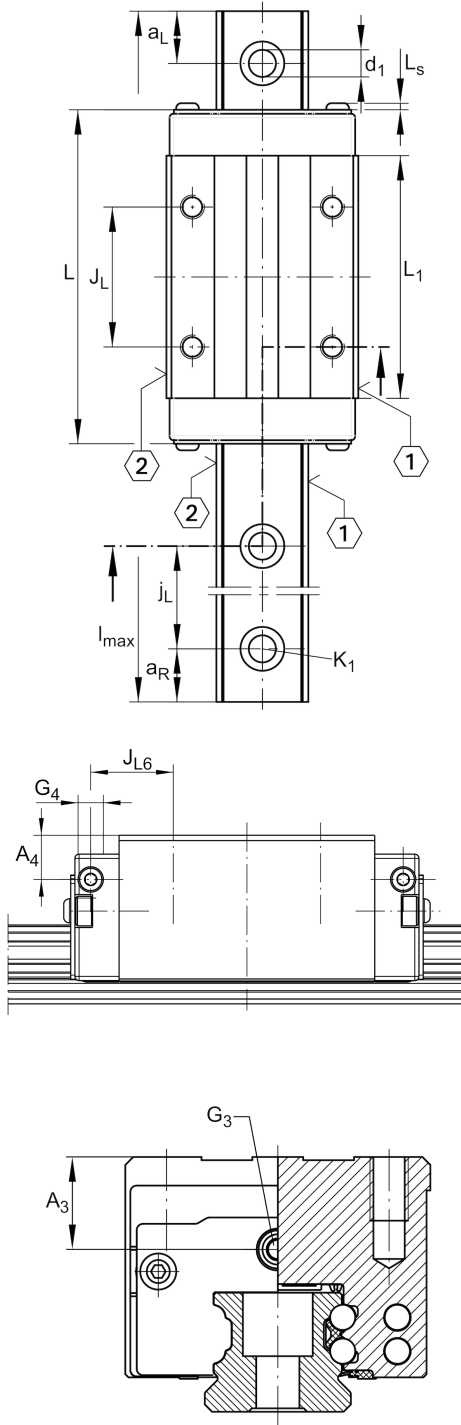
★ Preferred product

### Technical information



### Main Dimensions & Performance Data

H	70 mm	height system
B	86 mm	width carriage
L	140,6 mm	overall length carriage
C	69.000 N	dynamic load rating
C <sub>0</sub>	141.000 N	static load rating
M <sub>0x</sub>	3.610 Nm	static moment rating about X axis
M <sub>0y</sub>	2.485 Nm	static moment rating about Y axis
M <sub>0z</sub>	2.485 Nm	static moment rating about Z axis
	3,45 kg	Weight



### Mounting dimensions

VMKB_065	KWVE	Material name
A <sub>1</sub>	20,5 mm	
J <sub>B</sub>	60 mm	
b	45 mm	width rail
A <sub>2</sub>	13 mm	
L <sub>1</sub>	102,5 mm	
L <sub>s</sub>	2,2 mm	
J <sub>L</sub>	60 mm	
H <sub>1</sub>	9,7 mm	
H <sub>5</sub>	9,25 mm	
T <sub>5</sub>	17 mm	
G <sub>2</sub>	M10	fixing screws below (DIN ISO 4762-12.9)
G <sub>2 M<sub>A</sub></sub>	83 Nm	maximum tightening torque
A <sub>3</sub>	26,5 mm	position lubrication connector
G <sub>3</sub>	M6	lubrication connector
t <sub>G<sub>3</sub></sub>	7 mm	maximum permissible screw depth for lubrication connectors
A <sub>4</sub>	26,5 mm	position lubrication connector
G <sub>4</sub>	M6 mm	lubrication connector
t <sub>G<sub>4</sub></sub>	7 mm	maximum permissible screw depth for lubrication connectors
J <sub>L6</sub>	29,3 mm	position lubrication connector

