

## ★ KWVE45-B-S

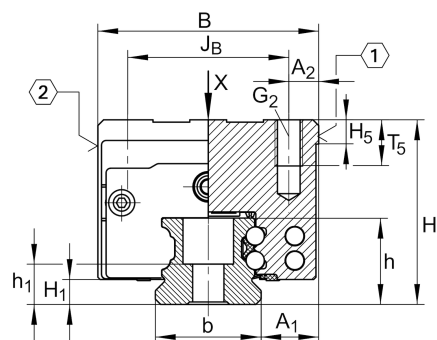
Recirculating ball bearing carriage

Schaeffler ID:  
0200715310240

Carriages KWVE...-B-S, narrow carriage,  
four-row

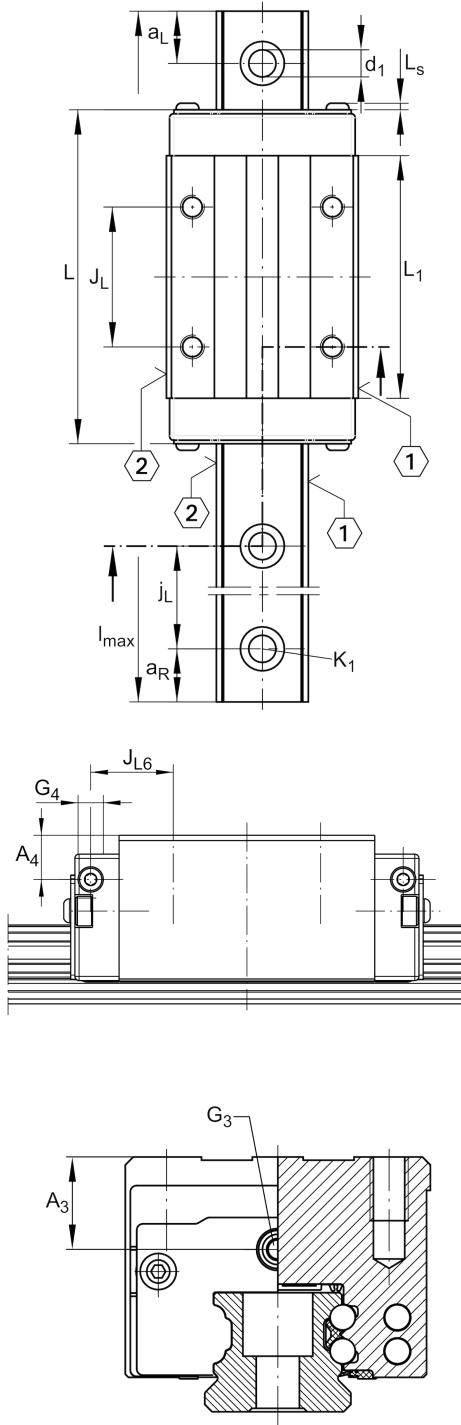
★ Preferred product

### Technical information



### Main Dimensions & Performance Data

H	60 mm	height system
B	86 mm	width carriage
L	140,6 mm	overall length carriage
C	69.000 N	dynamic load rating
C <sub>0</sub>	141.000 N	static load rating
M <sub>0x</sub>	3.610 Nm	static moment rating about X axis
M <sub>0y</sub>	2.485 Nm	static moment rating about Y axis
M <sub>0z</sub>	2.485 Nm	static moment rating about Z axis
	2,76 kg	Weight



### Mounting dimensions

VMKB_065	KWVE	Material name
$A_1$	20,5 mm	
$J_B$	60 mm	
$b$	45 mm	width rail
$A_2$	13 mm	
$L_1$	102,5 mm	
$L_s$	2,2 mm	
$J_L$	60 mm	
$H_1$	9,7 mm	
$H_5$	9,25 mm	
$T_5$	17 mm	
$G_2$	M10	fixing screws below (DIN ISO 4762-12.9)
$G_2 M_A$	83 Nm	maximum tightening torque
$A_3$	16,5 mm	position lubrication connector
$G_3$	M6	lubrication connector
$t_{G_3}$	7 mm	maximum permissible screw depth for lubrication connectors
$A_4$	16,5 mm	position lubrication connector
$G_4$	M6 mm	lubrication connector
$t_{G_4}$	7 mm	maximum permissible screw depth for lubrication connectors
$J_{L6}$	29,3 mm	position lubrication connector

