

## ★ AS140180

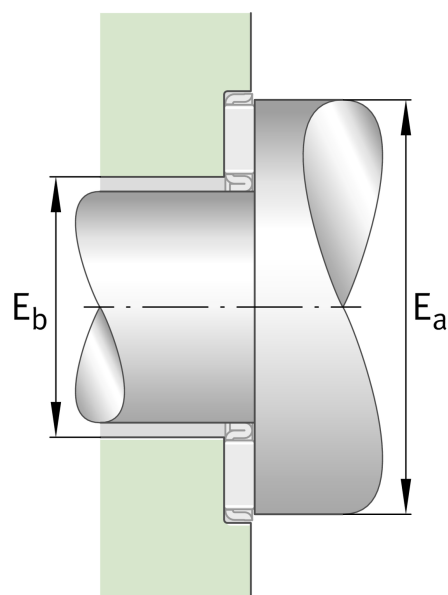
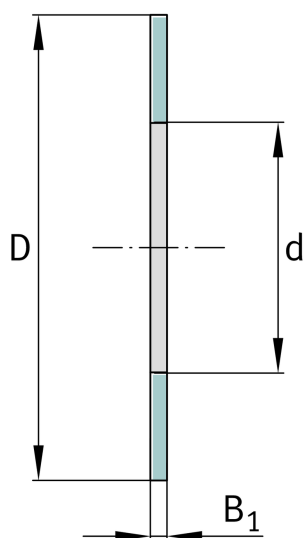
Axial bearing washer

Schaeffler ID:  
0000198790000

Axial bearing washers, suitable for AXK  
and K811, to DIN 5405-3/ISO 303

★ Preferred product

### Technical information



### Main Dimensions & Performance Data

d	140 mm	Bore diameter bearing washer
D	180 mm	Outside diameter bearing washer
B <sub>1</sub>	1 mm	Height bearing washer
	73,5 g	Weight