

IE-FCM-RJ45-FJ-B

Weidmüller Interface GmbH & Co. KG
Klingenbergstraße 26
D-32758 Detmold
Germany

www.weidmueller.com



Service interface FrontCom[®] Micro with RJ45 in IP65

General ordering data

Version	FrontCom Micro RJ45 module, TIA-568A
Order No.	1018820000
Type	IE-FCM-RJ45-FJ-B
GTIN (EAN)	4032248730070
Qty.	10 pc(s).

Creation date February 15, 2023 4:20:08 PM CET

Catalogue status 03.02.2023 / We reserve the right to make technical changes.

IE-FCM-RJ45-FJ-B

Weidmüller Interface GmbH & Co. KG

Klingenbergstraße 26

D-32758 Detmold

Germany

www.weidmueller.com

Technical data

Dimensions and weights

Wall thickness, min.	1 mm	Wall thickness, max.	3 mm
Net weight	40 g		

Temperatures

Operating temperature	-40 °C...70 °C	Operating temperature, min.	-40 °C
Operating temperature, max.	70 °C		

General data

Tightening torque fixing nut	2 Nm	Connection 1	RJ45
Connection 2	IDC	Description of article	FrontCom Micro RJ45 module
Wiring	TIA-568A	Colour	black
Housing main material	PA UL 94 V0	Insulation cross-section, max.	1.6 mm
Category	Cat.6A / Class EA (ISO/IEC 11801 2010)	Contact surface	Gold over nickel
Connection diameter, solid	0.4...0.64	Conductor connection cross-section, solid (AWG)	AWG 24...AWG 22
Connection diameter, flexible	0.48...0.76 mm	Conductor connection cross-section, flexible (AWG)	AWG 26...AWG 22
Sheath diameter, min.	5.5 mm	Sheath diameter, max.	10 mm
Type of mounting	Cabinet, Distribution box	Shielding	360° shield contact
Protection degree	IP65, in closed state	Plugging cycles	750

Electrical properties

PoE / PoE+	conforming to IEEE 802.3af
------------	----------------------------

General standards

Certificate no. (cULus)	E316369	Connector standard	IEC 60603-7-51
-------------------------	---------	--------------------	----------------

Classifications

ETIM 6.0	EC001031	ETIM 7.0	EC001031
ETIM 8.0	EC001031	ECLASS 9.0	27-18-27-02
ECLASS 9.1	27-18-27-90	ECLASS 10.0	27-18-27-02
ECLASS 11.0	27-18-27-02	ECLASS 12.0	27-18-28-92

Approvals

Approvals



ROHS	Conform
UL File Number Search	UL Website
Certificate no. (cULus)	E316369

IE-FCM-RJ45-FJ-B

Weidmüller Interface GmbH & Co. KG
Klingenbergstraße 26
D-32758 Detmold
Germany

www.weidmueller.com

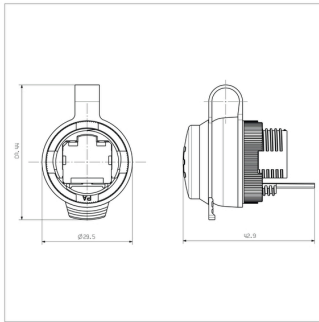
Technical data**Downloads**

Approval/Certificate/Document of Conformity	DUXR.E316369
Engineering Data	CAD data – STEP
Engineering Data	WSCAD
User Documentation	MAN IE GUIDE DE MAN IE GUIDE EN Manual
Catalogues	Catalogues in PDF-format
Brochures	FL FIELDWIRING EN PI PROFINET CABLING EN PI PROFINET CABLING EN

IE-FCM-RJ45-FJ-B

Weidmüller Interface GmbH & Co. KG
Klingenbergstraße 26
D-32758 Detmold
Germany

www.weidmueller.com

Drawings**Dimensioned drawing****Installation cut-out**