

**SAI-04L-VP12-3A-M080-PNP****Weidmüller Interface GmbH & Co. KG**

Klingenbergstraße 26

D-32758 Detmold

Germany

www.weidmueller.com



The new slim M8 line from Weidmüller. This range of products is characterised by the marking options at all connection positions. Even the 4-way distributor with 8-pole M12 has adequately large markers at all M8 connection positions. Furthermore, this distributor is shorter than many conventional M8 designs.

- Very narrow, short and flat M8 distributor.
- The range is supplied with 4 to 12 M8 connection positions, 3 or 4 poles.
- Hybrid variants of the M8 are also possible on request.
- The M8 line is equipped with transverse holes.

**General ordering data**

Version	SAI Passive, Sensor-actuator passive distributor, M8, with M12 outlet, 8-pole, A-coded, No
Order No.	<a href="#">1051760000</a>
Type	SAI-04L-VP12-3A-M080-PNP
GTIN (EAN)	4032248790302
Qty.	1 pc(s).

Creation date March 16, 2023 2:00:22 PM CET

Catalogue status 03.03.2023 / We reserve the right to make technical changes.

## SAI-04L-VP12-3A-M080-PNP

Weidmüller Interface GmbH &amp; Co. KG

Klingenbergstraße 26

D-32758 Detmold

Germany

www.weidmueller.com

## Technical data

## Dimensions and weights

Depth	113 mm	Depth (inches)	4.449 inch
Height	18.2 mm	Height (inches)	0.717 inch
Width	24 mm	Width (inches)	0.945 inch
Net weight	64 g		

## Temperatures

Operating temperature	-20 - 70°C	Operating temperature, min.	-20 °C
Operating temperature, max.	70 °C		

## Connection data

Distributor outlet	with M12 outlet, 8-pole, A-coded
--------------------	----------------------------------

## Electrical data

Rated voltage, min.	15 V	Rated voltage, max.	30 V
Max. current-carrying capacity per slot	2 A	Total current	2 A
Insulation strength	10 <sup>9</sup> Ω		

## General technical data

Protection degree	IP68	Number of poles	3
Number of contact sockets	4	Connection thread	M8
Pollution severity	3	LED	No

## Material data

Material O-Ring	FKM	Housing main material	PBT
Material of distributor	Plastic	Housing colour	black (similar to RAL 9005)
Contact material	CuZn	Contact surface	Gold-plated

## Technical data cable

Number of poles	3	Suitable for cable carriers	No
-----------------	---	-----------------------------	----

## Classifications

ETIM 6.0	EC002585	ETIM 7.0	EC003558
ETIM 8.0	EC003558	ECLASS 9.0	27-44-01-08
ECLASS 9.1	27-44-01-08	ECLASS 10.0	27-44-01-11
ECLASS 11.0	27-44-01-11	ECLASS 12.0	27-44-01-11

## Environmental Product Compliance

REACH SVHC	Lead 7439-92-1
------------	----------------

**SAI-04L-VP12-3A-M080-PNP**

**Weidmüller Interface GmbH & Co. KG**  
Klingenbergstraße 26  
D-32758 Detmold  
Germany

[www.weidmueller.com](http://www.weidmueller.com)

**Technical data****Approvals**

Approvals



ROHS

Conform

**Downloads**

Engineering Data	<a href="#">CAD data – STEP</a>
Product Change Notification	<a href="#">20211208 Technical change to SAI M8 Line Distribution Boxes</a> <a href="#">20211208 Technische Änderung zu SAI M8 Line Verteiler</a>
Catalogues	<a href="#">Catalogues in PDF-format</a>
Brochures	<a href="#">FL FIELDWIRING EN</a> <a href="#">FL FIELDWIRING EN</a>

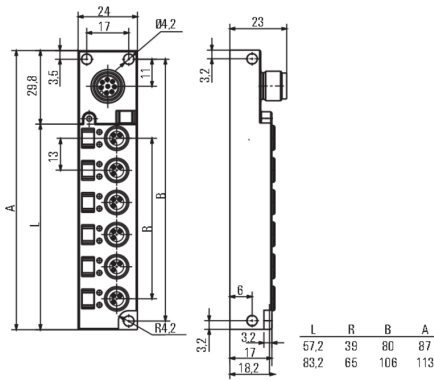
**SAI-04L-VP12-3A-M080-PNP**

**Weidmüller Interface GmbH & Co. KG**  
 Klingenbergstraße 26  
 D-32758 Detmold  
 Germany

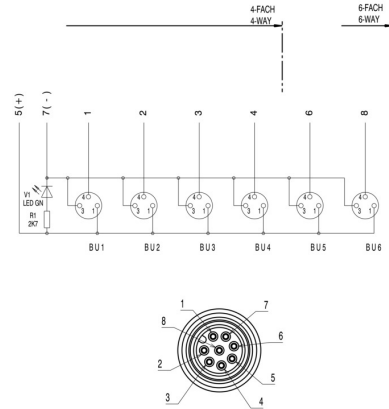
www.weidmueller.com

**Drawings**

**Dimensioned drawing**



**Wiring diagram**



**Pole scheme**

