

SAI-4-F 5P PUR 45M**Weidmüller Interface GmbH & Co. KG**

Klingenbergstraße 26

D-32758 Detmold

Germany

www.weidmueller.com



M12 distributors are available in various versions. The 4, 6 or 8 M12 slots are in 4 or 5 pole design. The group outlet is designed as a fixed cable version, hood version for connection by the user, or with M23. Special versions are also available. For instance, there are 1-to-1 distributors for use with any connection types, or distributors approved for Ex Zone 1.

General ordering data

Version	Sensor-actuator passive distributor, M12, Fixed cable version, 45 m, Yes
Order No.	1052340000
Type	SAI-4-F 5P PUR 45M
GTIN (EAN)	4032248792320
Qty.	1 pc(s).

Creation date March 16, 2023 2:00:31 PM CET

Catalogue status 03.03.2023 / We reserve the right to make technical changes.

SAI-4-F 5P PUR 45M

Weidmüller Interface GmbH & Co. KG

Klingenbergstraße 26

D-32758 Detmold

Germany

www.weidmueller.com

Technical data

Dimensions and weights

Depth	102 mm	Depth (inches)	4.016 inch
Height	25 mm	Height (inches)	0.984 inch
Net weight	4,431 g		

Temperatures

Operating temperature	-20 - 80°C	Operating temperature, min.	-20 °C
Operating temperature, max.	80 °C		

Connection data

Sheathing stripping length	100 mm	Distributor outlet	Fixed cable version
----------------------------	--------	--------------------	---------------------

Electrical data

Rated voltage, min.	10 V	Rated voltage, max.	30 V
Test voltage	1 kV	Max. current-carrying capacity per slot	4 A
Total current	9 A	Current per signal	2 A
Electrical isolation available	No	Insulation strength	10 ⁹ Ω

General technical data

Plug-in station coding	A	Protection degree	IP68
Number of poles	5	Number of contact sockets	4
Connection thread	M12	Pollution severity	3
Fire behaviour	V-0	Plugging cycles	≤ 50
LED	Yes	LED initiator	Yes
LED colour for indicating operation	green	LED colour for I/O function	yellow

Material data

Housing main material	PA 6 GF	Material of distributor	Plastic
Housing colour	grey, RAL 7032	Screw socket	Nickel-plated CuZn
Contact material	CuZn	Contact surface	Gold-plated
Contact carrier material	PBT (UL 94 V0)		

Technical data cable

Bending cycles	2 Mio	Bending radius, min., moving	10 x cable diameter
Colour coding	white, grey, green, yellow, blue, brown, Green/yellow, grey / pink, red / blue, white / green, brown / green	Halogen	No
Number of poles	5	O.D.	8.2 mm
Sheath material	PUR	Sheathing colour	black
Shielded	No	Wire cross section (Print/Online)	8 x 0.34 mm ² + 3 x 1.0 mm ²
Cable length	45 m	Suitable for cable carriers	Yes

SAI-4-F 5P PUR 45M

Weidmüller Interface GmbH & Co. KG
Klingenbergstraße 26
D-32758 Detmold
Germany

www.weidmueller.com

Technical data

Classifications

ETIM 6.0	EC002585	ETIM 7.0	EC002585
ETIM 8.0	EC002585	ECLASS 9.0	27-44-01-08
ECLASS 9.1	27-44-01-08	ECLASS 10.0	27-44-01-08
ECLASS 11.0	27-44-01-08	ECLASS 12.0	27-44-01-08

Environmental Product Compliance

REACH SVHC	Lead 7439-92-1
------------	----------------

Approvals

ROHS	Conform
------	---------

Downloads

Engineering Data	CAD data – STEP
Engineering Data	WSCAD
Catalogues	Catalogues in PDF-format
Brochures	FL FIELDWIRING EN

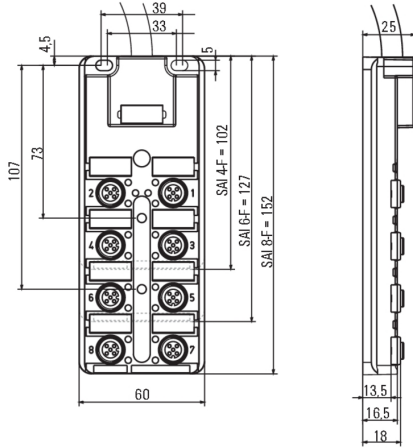
SAI-4-F 5P PUR 45M

Weidmüller Interface GmbH & Co. KG
 Klingenbergstraße 26
 D-32758 Detmold
 Germany

www.weidmueller.com

Drawings

Dimensioned drawing



Wiring diagram

