

IE-CD-V14MRJ/VAPM24V-FJ**Weidmüller Interface GmbH & Co. KG**

Klingenbergstraße 26

D-32758 Detmold

Germany

www.weidmueller.com



Double junction box / coupling, design for FreeCon PushPull plug-in connectors ver.14 according to IEC 61076-3-117 with RJ45 and PushPull Power

General ordering data

Version	Junction box, FreeCon, RJ45 module, Supply, IP65
Order No.	1068830000
Type	IE-CD-V14MRJ/VAPM24V-FJ
GTIN (EAN)	4032248824014
Qty.	1 pc(s).

Creation date March 7, 2023 2:51:36 PM CET

Catalogue status 03.03.2023 / We reserve the right to make technical changes.

IE-CD-V14MRJ/VAPM24V-FJ

Weidmüller Interface GmbH & Co. KG

Klingenbergstraße 26

D-32758 Detmold

Germany

www.weidmueller.com

Technical data

Dimensions and weights

Depth	100 mm	Depth (inches)	3.937 inch
Height	52 mm	Height (inches)	2.047 inch
Width	80 mm	Width (inches)	3.15 inch
Net weight	597.72 g		

Temperatures

Operating temperature	-40 °C...70 °C	Operating temperature, min.	-40 °C
Operating temperature, max.	70 °C		

General data

Colour	silver	Housing main material	Aluminium profile, Cover: die-cast zinc, painted
Protection degree	IP65	Type of mounting	Screw mounting
UL 94 flammability rating	V-0	Weight	471 g
Wiring	PROFINET		

General standards

Application-specific communication cable facilities	PROFINET installation instructions	Certificate no. (cULus)	E316369
Connector standard	IEC 61076-3-117 Var. 14, IEC 60603-7-5	IP protection classes	IEC 60529
UL standard for communication accessories	UL 1863		

Technical data RJ45 module

Category (RJ45 module)	Cat.5 (ISO/IEC 11801)	Colour (RJ45 module)	silver
Connection 1 (RJ45 module)	IDC	Connection 2 (RJ45 module)	RJ45
Contact resistance (RJ45 module)	≤ 20 mΩ	Contact surface (RJ45 module)	Gold over nickel
Current capacity (RJ45 module)	1 A	Dielectric strength, contact - contact (RJ45 module)	≤ 1000 V DC
Dielectric strength, contact - shielding (RJ45 module)	≤ 1500 V DC	Housing base material (RJ45 module)	Zinc diecast
Insulation resistance (RJ45 module)	> 500 MΩ	Plugging cycles (RJ45 module)	750
Plugging force (RJ45 module)	≤ 30 N	Sheath diameter, max. (RJ45 module)	10 mm
Sheath diameter, min. (RJ45 module)	5 mm	Shielding (RJ45 module)	360° shield contact
Wire cross-section, finely stranded, max. (AWG)	AWG 22	Wire cross-section, finely stranded, min. (AWG)	AWG 26
Wiring	PROFINET		

IE-CD-V14MRJ/VAPM24V-FJ

Weidmüller Interface GmbH & Co. KG

Klingenbergstraße 26

D-32758 Detmold

Germany

www.weidmueller.com

Technical data

Technical specifications for power connector

Cable seal material (power connector)	TPE	Colour (power connector)	Silver grey
Connection 2 (power connector)	Tension clamp	Connection cross-section AWG, max. (power connector)	13
Connection cross-section AWG, min. (power connector)	18	Contact carrier material (power connector)	PA
Contact material (power connector)	Copper alloy	Contact surface (power connector)	Gold over nickel
Current capacity at 50 °C (power connector)	16 A	Housing base material (power connector)	Zinc diecast, nickel-plated
Interlock type (power connector)	Push Pull	Nominal voltage (power connector)	24 V
Plugging cycles (power connector)	≤ 100	Pollution degree (power connector)	2
Seal material (power connector)	NBR	Sheath diameter, max. (power connector)	12 mm
Sheath diameter, min. (power connector)	6 mm	Wire connection cross section, finely stranded, max. (power connector)	2.5 mm ²
Wire connection cross section, finely stranded, min. (power connector)	0.75 mm ²	Wire connection cross section, stranded, rated connection, max. (power connector)	2.5 mm ²
Wire connection cross section, stranded, rated connection, min. (power connector)	0.75 mm ²		

Classifications

ETIM 6.0	EC000437	ETIM 7.0	EC000437
ETIM 8.0	EC000437	ECLASS 9.0	27-44-02-02
ECLASS 9.1	27-44-03-92	ECLASS 10.0	27-44-02-02
ECLASS 11.0	27-44-02-02	ECLASS 12.0	27-44-02-02

Environmental Product Compliance

REACH SVHC	Lead 7439-92-1
SCIP	67cf1078-beca-4687-860b-dc475a6ec24a

Approvals

Approvals



ROHS	Conform
UL File Number Search	UL Website
Certificate no. (cULus)	E316369

IE-CD-V14MRJ/VAPM24V-FJ

Weidmüller Interface GmbH & Co. KG
Klingenbergstraße 26
D-32758 Detmold
Germany

www.weidmueller.com

Technical data

Downloads

Approval/Certificate/Document of Conformity	ISO/IEC and TIA/EIA DE ISO/IEC EN and TIA/EIA Screened Class E Category 6, 3 connector permanent link ISO/IEC EN and TIA/EIA Screened Class E Category 6, 4 connector channel ISO/IEC EN and TIA/EIA Screened Class EA Category 6A, 2 connector channel DUXR.E316369 Compliance Statement Screened Category 6 ISO/IEC EN and TIA/EIA Connecting Hardware PROFINET Manufacturer's Declaration
Engineering Data	CAD data – STEP
Engineering Data	WSCAD
User Documentation	MAN IE GUIDE DE MAN IE GUIDE EN
Catalogues	Catalogues in PDF-format
Brochures	MB FREECONTACT EN FL FIELDWIRING EN PI PROFINET CABLING EN PI PROFINET CABLING EN

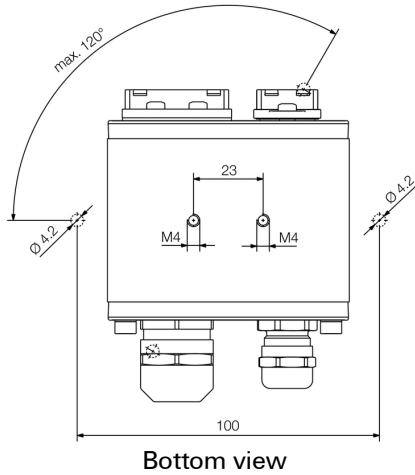
IE-CD-V14MRJ/VAPM24V-FJ

Weidmüller Interface GmbH & Co. KG
 Klingenbergstraße 26
 D-32758 Detmold
 Germany

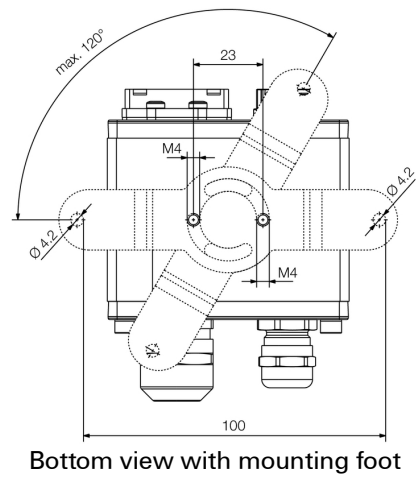
www.weidmueller.com

Drawings

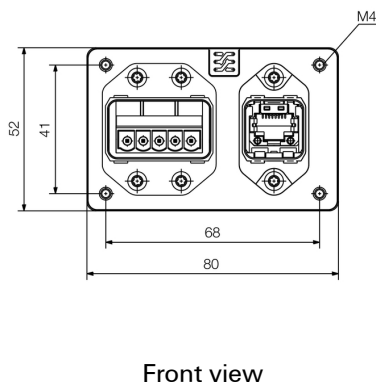
Dimensioned drawing



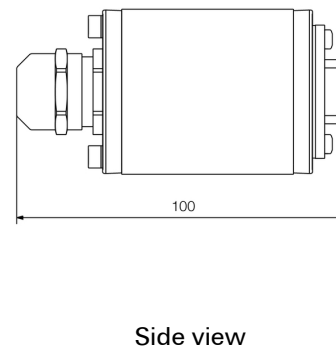
Dimensioned drawing



Dimensioned drawing



Dimensioned drawing



Wiring diagram

