

IE-CD-V14MHYB-10P-C-MA**Weidmüller Interface GmbH & Co. KG**

Klingenbergstraße 26

D-32758 Detmold

Germany

www.weidmueller.com

Coupling, design for FreeCon PushPull plug-in connectors
ver. 14 according to IEC 61076-3-117, metal with hybrid
10-pole Insert

General ordering data

Version	Junction box, FreeCon, Hybrid, Plug-in connector, IP65
Order No.	1068840000
Type	IE-CD-V14MHYB-10P-C-MA
GTIN (EAN)	4032248823932
Qty.	1 pc(s).

Creation date March 7, 2023 2:51:48 PM CET

IE-CD-V14MHYB-10P-C-MA

Weidmüller Interface GmbH & Co. KG

Klingenbergstraße 26

D-32758 Detmold

Germany

www.weidmueller.com

Technical data

Dimensions and weights

Depth	142 mm	Depth (inches)	5.591 inch
Height	52 mm	Height (inches)	2.047 inch
Width	41 mm	Width (inches)	1.614 inch
Net weight	652.82 g		

Temperatures

Storage temperature	-40 °C...75 °C	Operating temperature	-40 °C...70 °C
Operating temperature, min.	-40 °C	Operating temperature, max.	70 °C

General data

Colour	silver	Housing main material	Aluminium profile, Cover: die-cast zinc, painted
Protection degree	IP65	Type of mounting	Screw mounting
UL 94 flammability rating	V-0		

General standards

Certificate no. (cULus)	E316369	Connector standard	IEC 61076-3-117 Var. 14
-------------------------	---------	--------------------	-------------------------

Technical specifications for hybrid connector

Contact material (hybrid connector)	Copper alloy	Contact resistance (hybrid connector)	≤ 10 mΩ
Contact surface (hybrid connector)	Gold over nickel	Housing base material (hybrid connector)	Zinc diecast (flange), PA 66
Material of seal (hybrid connector)	NBR	Plugging cycles (hybrid connector)	500
Pole count	10	Protection degree (hybrid connector)	IP65
Rated current (hybrid connector)	3 A per contact	Rated voltage (DIN EN 61984) (hybrid connector)	24 V
Shielding (hybrid connector)	360° shield contact		

Classifications

ETIM 6.0	EC000437	ETIM 7.0	EC000437
ETIM 8.0	EC000437	ECLASS 9.0	27-44-02-02
ECLASS 9.1	27-44-03-92	ECLASS 10.0	27-44-02-02
ECLASS 11.0	27-44-02-02	ECLASS 12.0	27-44-02-02

Environmental Product Compliance

REACH SVHC	Lead 7439-92-1
SCIP	e4cad7fc-a55e-4d5c-8f05-417a6385e9b6

Approvals

Approvals



UL File Number Search	UL Website
Certificate no. (cULus)	E316369

Creation date March 7, 2023 2:51:48 PM CET

Catalogue status 03.03.2023 / We reserve the right to make technical changes.

2

IE-CD-V14MHYB-10P-C-MA**Weidmüller Interface GmbH & Co. KG**

Klingenbergstraße 26

D-32758 Detmold

Germany

www.weidmueller.com**Technical data****Downloads**

Approval/Certificate/Document of Conformity	PROFINET Manufacturer's Declaration
Engineering Data	CAD data – STEP
User Documentation	MAN IE GUIDE DE MAN IE GUIDE EN
Catalogues	Catalogues in PDF-format
Brochures	MB FREECONCONTACT EN FL FIELDWIRING EN PI PROFINET CABLING EN PI PROFINET CABLING EN

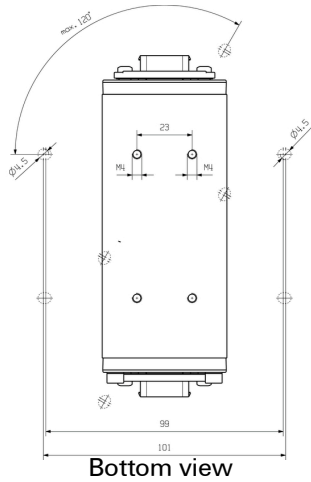
IE-CD-V14MHYB-10P-C-MA

Weidmüller Interface GmbH & Co. KG
 Klingenbergstraße 26
 D-32758 Detmold
 Germany

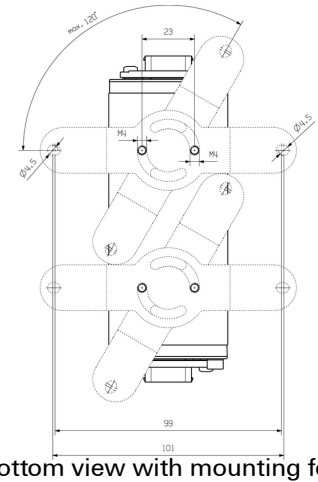
www.weidmueller.com

Drawings

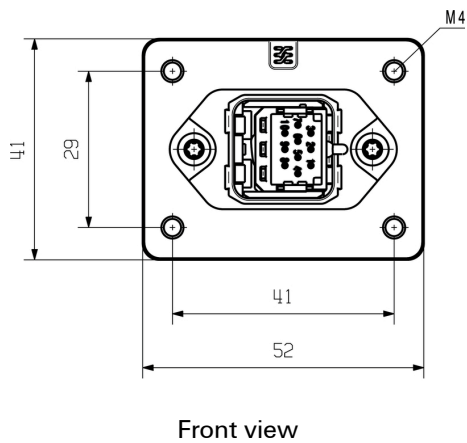
Dimensioned drawing



Dimensioned drawing



Dimensioned drawing



Dimensioned drawing

