

**IE-CD-V14MHYB-10P-FJ****Weidmüller Interface GmbH & Co. KG**

Klingenbergstraße 26

D-32758 Detmold

Germany

www.weidmueller.com



Junction box, design for FreeCon PushPull plug-in connectors ver.14 according to IEC 61076-3-117, metal with hybrid 10-pole Insert

**General ordering data**

Version	Junction box, FreeCon, Hybrid, Module, IP65
Order No.	<a href="#">1068850000</a>
Type	IE-CD-V14MHYB-10P-FJ
GTIN (EAN)	4032248823925
Qty.	1 pc(s).

Creation date March 7, 2023 2:51:59 PM CET

Catalogue status 03.03.2023 / We reserve the right to make technical changes.

## IE-CD-V14MHYB-10P-FJ

Weidmüller Interface GmbH &amp; Co. KG

Klingenbergstraße 26

D-32758 Detmold

Germany

www.weidmueller.com

## Technical data

## Dimensions and weights

Depth	100 mm	Depth (inches)	3.937 inch
Height	52 mm	Height (inches)	2.047 inch
Width	41 mm	Width (inches)	1.614 inch
Net weight	372 g		

## Temperatures

Storage temperature	-40 °C...75 °C	Operating temperature	-40 °C...70 °C
Operating temperature, min.	-40 °C	Operating temperature, max.	70 °C

## General data

Colour	silver	Housing main material	Aluminium profile, Cover: die-cast zinc, painted
Protection degree	IP65	Type of mounting	2 screws, for exposed connections, Screw mounting
UL 94 flammability rating	V-0		

## General standards

Certificate no. (cULus)	E316369	Connector standard	IEC 61076-3-117 Var. 14
-------------------------	---------	--------------------	-------------------------

## Technical specifications for hybrid connector

Contact material (hybrid connector)	Copper alloy	Contact resistance (hybrid connector)	≤ 10 mΩ
Contact surface (hybrid connector)	Gold over nickel	Housing base material (hybrid connector)	Zinc diecast (flange), PA 66
Material of seal (hybrid connector)	NBR	Plugging cycles (hybrid connector)	500
Pole count	10	Protection degree (hybrid connector)	IP65
Rated current (hybrid connector)	3 A per contact	Rated voltage (DIN EN 61984) (hybrid connector)	24 V
Sheath diameter, max. (hybrid connector)	10 mm	Sheath diameter, min. (hybrid connector)	5 mm
Shielding (hybrid connector)	360° shield contact	Wire connection cross section, finely stranded, max. (hybrid connector)	0.75 mm <sup>2</sup>
Wire connection cross section, finely stranded, min. (hybrid connector)	0.08 mm <sup>2</sup>	Wire cross-section, finely stranded, max. (AWG) (hybrid connector)	AWG 20
Wire cross-section, finely stranded, min. (AWG) (hybrid connector)	AWG 27		

## Classifications

ETIM 6.0	EC000437	ETIM 7.0	EC000437
ETIM 8.0	EC000437	ECLASS 9.0	27-44-02-02
ECLASS 9.1	27-44-03-92	ECLASS 10.0	27-44-02-02
ECLASS 11.0	27-44-02-02	ECLASS 12.0	27-44-02-02

## Environmental Product Compliance

REACH SVHC	Lead 7439-92-1
SCIP	67cf1078-beca-4687-860b-dc475a6ec24a

## IE-CD-V14MHYB-10P-FJ

**Weidmüller Interface GmbH & Co. KG**  
Klingenbergstraße 26  
D-32758 Detmold  
Germany

[www.weidmueller.com](http://www.weidmueller.com)

## Technical data

### Approvals

Approvals



ROHS	Conform
UL File Number Search	UL Website
Certificate no. (cULus)	E316369

### Downloads

Approval/Certificate/Document of Conformity	<a href="#">DUXR.E316369</a> <a href="#">PROFINET Manufacturer's Declaration</a>
Engineering Data	<a href="#">CAD data – STEP</a>
Engineering Data	<a href="#">WSCAD</a>
User Documentation	<a href="#">MAN IE GUIDE DE</a> <a href="#">MAN IE GUIDE EN</a>
Catalogues	<a href="#">Catalogues in PDF-format</a>
Brochures	<a href="#">MB FREECONTACT EN</a> <a href="#">FL FIELDWIRING EN</a> <a href="#">PI PROFINET CABLING EN</a> <a href="#">PI PROFINET CABLING EN</a>

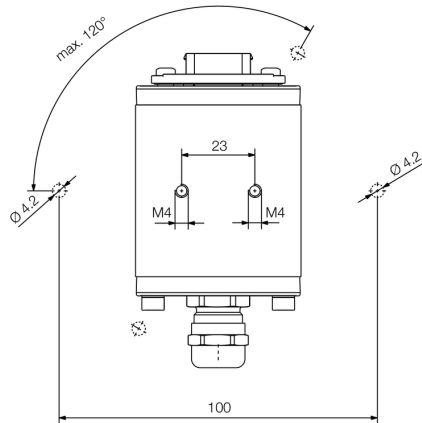
**IE-CD-V14MHYB-10P-FJ**

**Weidmüller Interface GmbH & Co. KG**  
 Klingenbergstraße 26  
 D-32758 Detmold  
 Germany

www.weidmueller.com

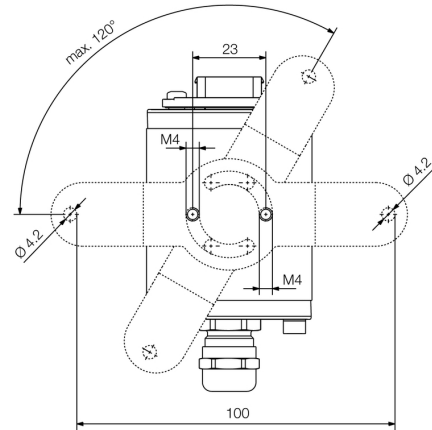
**Drawings**

**Dimensioned drawing**



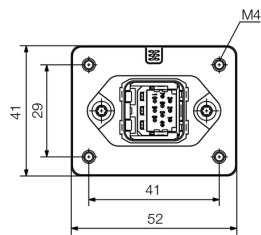
Bottom view

**Dimensioned drawing**



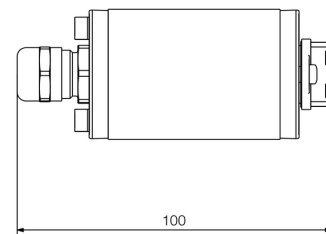
Bottom view with mounting foot

**Dimensioned drawing**



Front view

**Dimensioned drawing**



Side view