

SAIL-VSA-M8G-3-1.5U**Weidmüller Interface GmbH & Co. KG**

Klingenbergstraße 26

D-32758 Detmold

Germany

www.weidmueller.com



Weidmüller can supply valve plugs as connecting lines with M12 plugs and one end without connector. The status of the valve plug is shown by an LED. Every valve plug is fitted with a protective circuit. The Weidmüller range includes valve plugs of type A, B and C to DIN and industry standards. In the plugged condition they achieve IP 67 class of protection. The outlet direction is also a decisive factor: Weidmüller can also supply 0° versions for type B and BD, i.e. the cable outlet direction is located at the PE contact.

General ordering data

Version	Valve plug, Straight plug - valve plug, A
Order No.	1099760150
Type	SAIL-VSA-M8G-3-1.5U
GTIN (EAN)	4032248874682
Qty.	1 pc(s).

Creation date March 13, 2023 11:56:25 AM CET

Catalogue status 03.03.2023 / We reserve the right to make technical changes.

SAIL-VSA-M8G-3-1.5U

Weidmüller Interface GmbH & Co. KG

Klingenbergstraße 26

D-32758 Detmold

Germany

www.weidmueller.com

Technical data

Dimensions and weights

Net weight 76 g

Temperatures

Operating temperature, min. -25 °C Operating temperature, max. 80 °C

Technical specifications for cable

Cable length	1.5 m	Core cross-section	0.5 mm ²
Halogen	No	Number of poles	3
Outside diameter	4.6 mm ± 0.2 mm	Sheath material	PUR
Sheathing colour	black	Suitable for cable carriers	Yes
Temperature range, moving	-25...80 °C	Temperature range, stationary	-50...80 °C

General technical data

All valve plugs are fitted with protective circuits	Suppressor diode	Coding	Design A (18 mm), M8 = none
Connection thread	M8	Contact surface	tinned
LED	Yes	Protection degree	IP67, when screwed in
Rated current	4 A	Rated voltage	24 V
Temperature range of housing	-25...+80 °C	Threaded ring material	Brass, nickel-plated
Tightening torque	M8: 0.5 - 0.6 Nm, Mounting screw M3: 0.4 Nm	Version	Straight plug - valve plug

Classifications

ETIM 6.0	EC001855	ETIM 7.0	EC001855
ETIM 8.0	EC001855	ECLASS 9.0	27-06-03-12
ECLASS 9.1	27-06-03-11	ECLASS 10.0	27-06-03-12
ECLASS 11.0	27-06-03-12	ECLASS 12.0	27-06-03-12

Environmental Product Compliance

REACH SVHC	Lead 7439-92-1
SCIP	e8d8af70-4c85-4483-bc8c-9bc5b598e2a9

Approvals

Approvals



ROHS Conform

Downloads

Engineering Data	CAD data – STEP
Catalogues	Catalogues in PDF-format
Brochures	FL FIELDWIRING EN FL FIELDWIRING EN

Creation date March 13, 2023 11:56:25 AM CET

Catalogue status 03.03.2023 / We reserve the right to make technical changes.

Data sheet

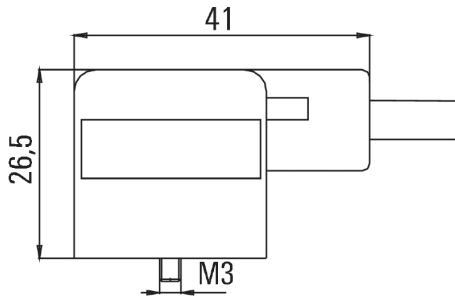
SAIL-VSA-M8G-3-1.5U

Weidmüller Interface GmbH & Co. KG
 Klingenbergstraße 26
 D-32758 Detmold
 Germany

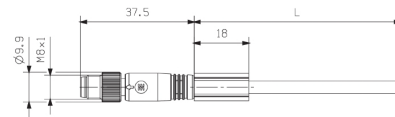
www.weidmueller.com

Drawings

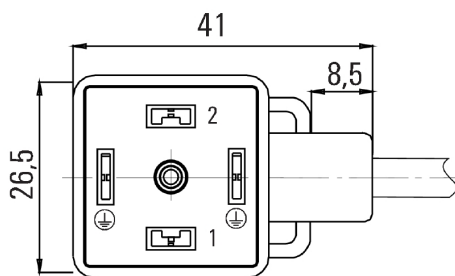
Dimensioned drawing



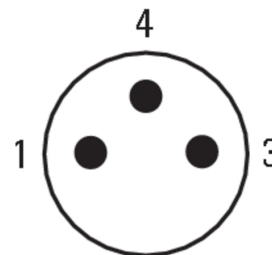
Dimensioned drawing



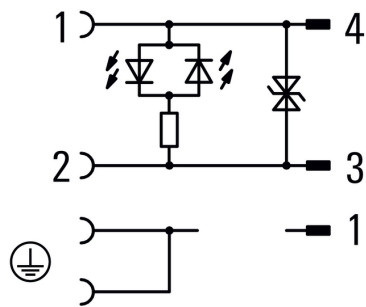
Pole scheme



Pole scheme



Wiring diagram



24V AC/DC_ 4A