

TRZ 230VAC RC 1CO EMPTY

Weidmüller Interface GmbH & Co. KG

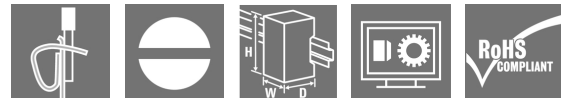
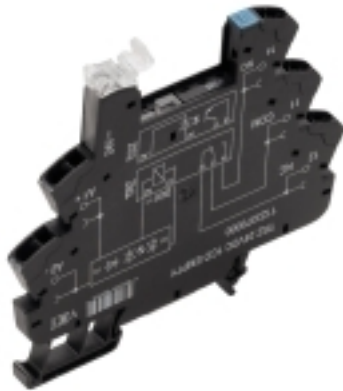
Klingenbergstraße 26

D-32758 Detmold

Germany

www.weidmueller.com

Product image



Similar to illustration

TERMSERIES empty sockets with:

- 1 CO contact
- Unique multi-voltage input from 24 to 230 V UC
- Input voltages with coloured marking: DC: blue, UC: white
- Due to high-quality design and no sharp edges no risk of injuries during installation
- Partition plates for optical separation and reinforcement of insulation

General ordering data

| | |
|------------|--|
| Version | TERMSERIES, Relay socket, Number of contacts: 1, CO contact, Rated control voltage: 230 V AC $\pm 10\%$, Continuous current: 10 A, Tension-clamp connection |
| Order No. | 1123440000 |
| Type | TRZ 230VAC RC 1CO EMPTY |
| GTIN (EAN) | 4032248905171 |
| Qty. | 10 pc(s). |

Creation date March 3, 2023 5:18:04 PM CET

Catalogue status 18.02.2023 / We reserve the right to make technical changes.

TRZ 230VAC RC 1CO EMPTY

Weidmüller Interface GmbH & Co. KG
 Klingenbergstraße 26
 D-32758 Detmold
 Germany

www.weidmueller.com

Technical data
Dimensions and weights

| | | | |
|------------|---------|-----------------|------------|
| Depth | 87.8 mm | Depth (inches) | 3.457 inch |
| Height | 90.5 mm | Height (inches) | 3.563 inch |
| Width | 6.4 mm | Width (inches) | 0.252 inch |
| Net weight | 23.6 g | | |

Temperatures

| | | | |
|-----------------------------|----------------|-----------------------------|----------------|
| Storage temperature | -40 °C...85 °C | Operating temperature | -40 °C...60 °C |
| Operating temperature, min. | -40 °C | Operating temperature, max. | 60 °C |

Rated data UL

| | | | |
|---|--------|------------------------------------|--|
| Ambient temperature (operational), max. 60 °C | | Connection cross-section AWG, min. | AWG 26 |
| Connection cross-section AWG, max. | AWG 14 | Type of conductor | rigid copper conductor, flexible copper conductor |
| Pollution severity level | 2 | Certificate No. (cURus) | E223759 |

Control side

| | | | |
|--|-----------------------|---------------------------------------|----------------------|
| Rated control voltage | 230 V AC \pm 10 % | Status indicator | Green LED |
| Protective circuit | Rectifier, RC element | RC filter | 94 Ω / 100 nF |
| Coil voltage of the replacement relay deviating from the rated control voltage | Yes | Coil voltage of the replacement relay | 60 V DC |

Load side

| | | | |
|-------------------------|--------------|--------------------|------|
| Rated switching voltage | 250 V AC | Continuous current | 10 A |
| Contact type | 1 CO contact | | |

General data

| | | | |
|------------------------------------|--------------------------------|----------------|--|
| Operating altitude | \leq 2000 m, above sea level | | |
| Rail | TS 35 | | |
| Colour | black | | |
| UL94 flammability rating component | Component | Housing | |
| | UL94 flammability rating | V-0 | |
| | Component | Retaining clip | |
| | UL94 flammability rating | V-0 | |

Insulation coordination

| | | | |
|--|------------------------------|---|------------------------------|
| Rated voltage | 300 V | Pollution severity | 2 |
| Surge voltage category | III | Clearance and creepage distances for control side - load side | \geq 5.5 mm |
| Dielectric strength for control side - load side | 4 kV _{eff} / 1 Min. | Dielectric strength to mounting rail | 4 kV _{eff} / 1 Min. |
| Impulse withstand voltage | 6 kV (1.2/50 μ s) | Protection degree | IP20 |

Further details of approvals / standards

| | |
|-------------------------|---------|
| Certificate No. (cURus) | E223759 |
|-------------------------|---------|

TRZ 230VAC RC 1CO EMPTY

Weidmüller Interface GmbH & Co. KG

Klingenbergstraße 26

D-32758 Detmold

Germany

www.weidmueller.com

Technical data

Connection data

| | | | |
|---|--------------------------|---|----------------------|
| Wire connection method | Tension-clamp connection | Stripping length, rated connection | 8 mm |
| Clamping range, rated connection | 1.5 mm ² | Clamping range, min. | 0.14 mm ² |
| Clamping range, max. | 2.5 mm ² | Wire connection cross section AWG, min. | AWG 26 |
| Wire connection cross section AWG, max. | AWG 14 | Wire cross-section, solid, min. | 0.14 mm ² |
| Wire cross-section, solid, max. | 2.5 mm ² | Wire cross-section, solid, min. (AWG) | AWG 26 |
| Wire cross-section, solid, max. (AWG) | AWG 14 | Wire connection cross section, finely stranded, min. | 0.14 mm ² |
| Wire connection cross section, finely stranded, max. | 2.5 mm ² | Wire cross-section, finely stranded, min. (AWG) | AWG 26 |
| Wire cross-section, finely stranded, max. (AWG) | AWG 14 | Wire connection cross-section, finely stranded with wire-end ferrules DIN 46228/4, min. | 0.14 mm ² |
| Wire connection cross-section, finely stranded with wire-end ferrules DIN 46228/4, max. | 1.5 mm ² | Conductor cross-section, flexible, AEH (DIN 46228-1), min. | 0.14 mm ² |
| Conductor cross-section, flexible, AEH (DIN 46228-1), max. | 1.5 mm ² | Twin wire-end ferrules, min. | 0.5 mm ² |
| Twin wire-end ferrules, max. | 1 mm ² | Blade size | 0.6 x 3.5 mm |
| Gauge to IEC 60947-1 | A1, B1 | | |

Classifications

| | | | |
|-------------|-------------|-------------|-------------|
| ETIM 6.0 | EC001456 | ETIM 7.0 | EC001456 |
| ETIM 8.0 | EC001456 | ECLASS 9.0 | 27-37-16-03 |
| ECLASS 9.1 | 27-37-16-03 | ECLASS 10.0 | 27-37-16-03 |
| ECLASS 11.0 | 27-37-16-03 | ECLASS 12.0 | 27-37-16-03 |

Environmental Product Compliance

| | |
|------------|--------------------------------------|
| REACH SVHC | Lead 7439-92-1 |
| SCIP | 9e2cbc49-76d9-4611-b8ec-5b4f549a0aa9 |

Approvals

Approvals



| | |
|-------------------------|------------|
| ROHS | Conform |
| UL File Number Search | UL Website |
| Certificate No. (cURus) | E223759 |

Downloads

| | |
|---|---|
| Approval/Certificate/Document of Conformity | EU Konformitätserklärung / EU Declaration of Conformity |
| Engineering Data | CAD data – STEP |
| Engineering Data | WSCAD |
| User Documentation | Beipackzettel / Package Insert – multilingual |
| Catalogues | Catalogues in PDF-format |
| Brochures | |

Creation date March 3, 2023 5:18:04 PM CET

Catalogue status 18.02.2023 / We reserve the right to make technical changes.

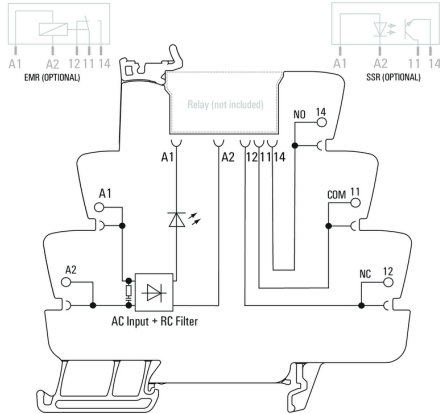
TRZ 230VAC RC 1CO EMPTY

Weidmüller Interface GmbH & Co. KG
 Klingenbergstraße 26
 D-32758 Detmold
 Germany

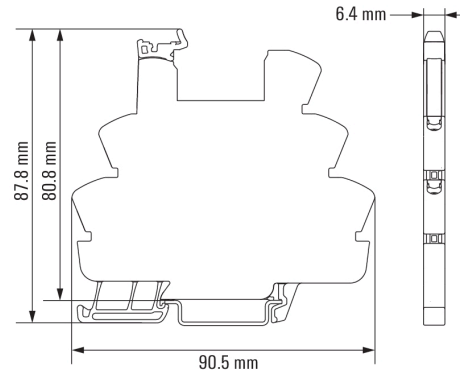
www.weidmueller.com

Drawings

Wiring diagram



Dimensional drawing



TRZ 230VAC RC 1CO EMPTY

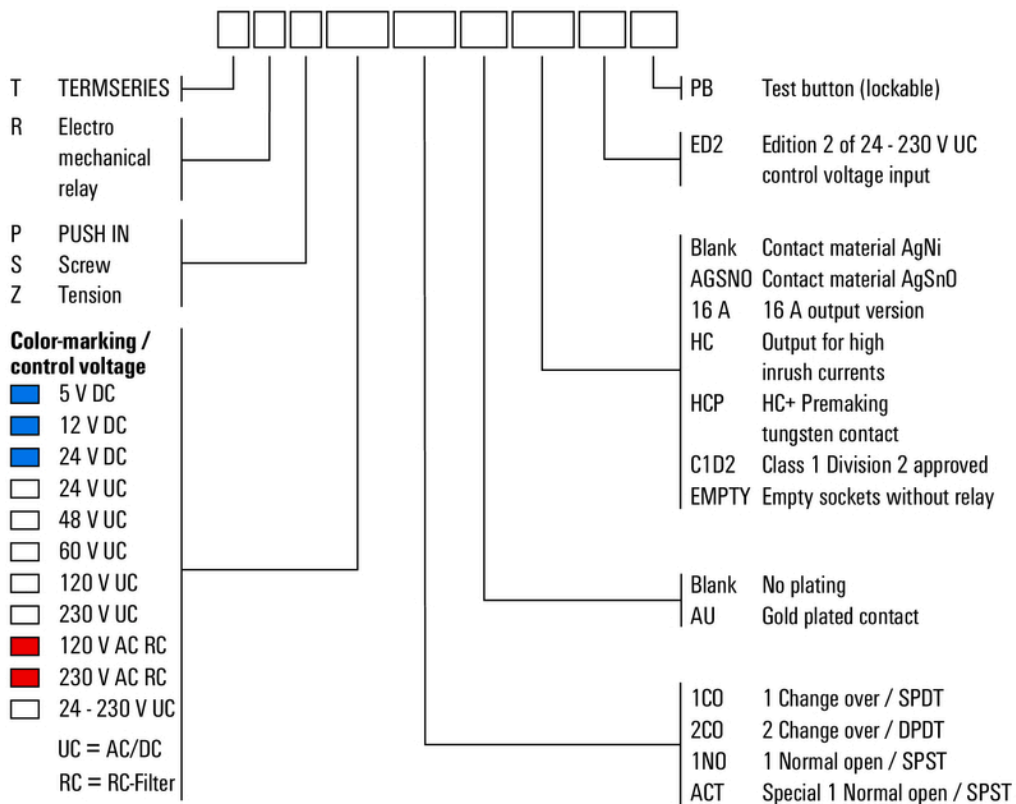
Weidmüller Interface GmbH & Co. KG
 Klingenbergstraße 26
 D-32758 Detmold
 Germany

www.weidmueller.com

Drawings

Miscellaneous

Type code TERMSERIES electromechanical relay versions



Type codes