

**SRC-I QV S****Weidmüller Interface GmbH & Co. KG**

Klingenbergstraße 26

D-32758 Detmold

Germany

www.weidmueller.com

**Product image**

Cross-connection for the sockets in the D-SERIES DRI.

**General ordering data**

Version	RIDERSERIES RCI, Cross-connector
Order No.	<a href="#">1132070000</a>
Type	SRC-I QV S
GTIN (EAN)	40322489 12087
Qty.	10 pc(s).

Creation date March 7, 2023 4:31:26 PM CET

Catalogue status 03.03.2023 / We reserve the right to make technical changes.

## SRC-I QV S

Weidmüller Interface GmbH &amp; Co. KG

Klingenbergstraße 26

D-32758 Detmold

Germany

www.weidmueller.com

## Technical data

## Dimensions and weights

Net weight	6.6 g
------------	-------

## Temperatures

Storage temperature	-40 °C...85 °C	Operating temperature	-40 °C...85 °C
Operating temperature, min.	-40 °C	Operating temperature, max.	85 °C

## Cross-connection data

Rated current	12 A	Insulation	Yes
Touch-safe protection	Yes	Colour	white
Number of cross-connected terminals	8	Pitch in mm (P)	15.2 mm
Version	can be cut to length		

## General data

Version	can be cut to length	Colour	white
---------	----------------------	--------	-------

## Connection data

Pitch in mm (P)	15.2 mm
-----------------	---------

## Classifications

ETIM 6.0	EC002586	ETIM 7.0	EC002586
ETIM 8.0	EC002586	ECLASS 9.1	27-37-16-92
ECLASS 10.0	27-37-16-92	ECLASS 11.0	27-37-16-92
ECLASS 12.0	27-37-16-92		

## Approvals

Approvals



ROHS	Conform
------	---------

## Downloads

Engineering Data	<a href="#">CAD data – STEP</a>
Engineering Data	<a href="#">WSCAD</a>
Catalogues	<a href="#">Catalogues in PDF-format</a>
Brochures	

**SRC-I QV S**

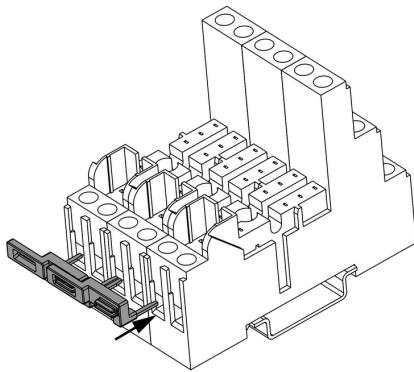
**Weidmüller Interface GmbH & Co. KG**  
Klingenbergstraße 26  
D-32758 Detmold  
Germany

[www.weidmueller.com](http://www.weidmueller.com)

**Drawings**

**Example of use**

**How to install cross connection**



Plug the cross connection into wire-connection opening  
and fix it with tighten the screw  
Plug the cross-connection in the cable connections

**Example of use**

