

SCM-I QV S**Weidmüller Interface GmbH & Co. KG**

Klingenbergstraße 26

D-32758 Detmold

Germany

www.weidmueller.com

Product image

Cross-connection for the sockets in the D-SERIES DRM.

General ordering data

Version	RIDERSERIES RCM, Cross-connector
Order No.	1132080000
Type	SCM-I QV S
GTIN (EAN)	40322489 12193
Qty.	10 pc(s).

Creation date March 7, 2023 4:31:37 PM CET

Catalogue status 03.03.2023 / We reserve the right to make technical changes.

SCM-I QV S**Weidmüller Interface GmbH & Co. KG**

Klingenbergstraße 26

D-32758 Detmold

Germany

www.weidmueller.com

Technical data**Dimensions and weights**

Net weight	6.5 g
------------	-------

Temperatures

Storage temperature	-40 °C...85 °C	Operating temperature	-45 °C...70 °C
Operating temperature, min.	-45 °C	Operating temperature, max.	70 °C

Cross-connection data

Rated current	12 A	Insulation	Yes
Touch-safe protection	Yes	Colour	white
Number of cross-connected terminals	6	Pitch in mm (P)	27 mm
Version	can be cut to length		

General data

Version	can be cut to length	Colour	white
---------	----------------------	--------	-------

Connection data

Pitch in mm (P)	27 mm
-----------------	-------

Classifications

ETIM 6.0	EC002586	ETIM 7.0	EC002586
ETIM 8.0	EC002586	ECLASS 9.1	27-37-16-92
ECLASS 10.0	27-37-16-92	ECLASS 11.0	27-37-16-92
ECLASS 12.0	27-37-16-92		

Approvals

Approvals



ROHS	Conform
------	---------

Downloads

Engineering Data	CAD data – STEP
Engineering Data	WSCAD
Catalogues	Catalogues in PDF-format
Brochures	

SCM-I QV S

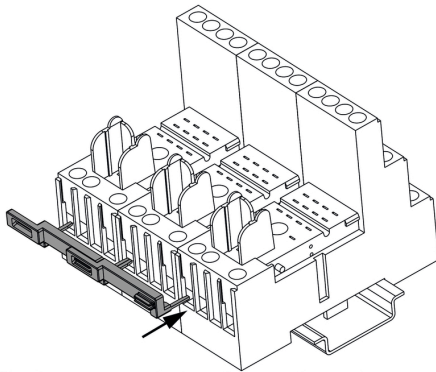
Weidmüller Interface GmbH & Co. KG
 Klingenbergstraße 26
 D-32758 Detmold
 Germany

www.weidmueller.com

Drawings

Example of use

How to install cross connection



Plug the cross connection into wire-connection opening
 and fix it with tighten the screw
 Plug the cross-connection in the cable connections

Example of use

