

DRL570220L**Weidmüller Interface GmbH & Co. KG**

Klingenbergstraße 26

D-32758 Detmold

Germany

www.weidmueller.com

Product image

Similar to illustration

Individual relays within the D-SERIES DRL

- 4 CO contacts
- Optional AC or DC coils
- With integrated status LED

General ordering data

| | |
|---------------------|--|
| Version | D-SERIES DRL, Relay, Number of contacts: 4, CO contact AgCdO, Rated control voltage: 220 V DC, Continuous current: 10 A, Flat blade connections (4.8 mm x 0.5 mm), Test button available: No |
| Order No. | 1133660000 |
| Type | DRL570220L |
| GTIN (EAN) | 4032248953189 |
| Qty. | 10 pc(s). |
| Delivery status | This article will no longer be available in the future. |
| Available until | 2021-04-30 |
| Alternative product | 2765300000 |

Creation date March 1, 2023 3:00:24 PM CET

DRL570220L

Weidmüller Interface GmbH & Co. KG

Klingenbergstraße 26

D-32758 Detmold

Germany

www.weidmueller.com

Technical data

Dimensions and weights

| | | | |
|------------|---------|-----------------|------------|
| Depth | 36 mm | Depth (inches) | 1.417 inch |
| Height | 28 mm | Height (inches) | 1.102 inch |
| Width | 41.5 mm | Width (inches) | 1.634 inch |
| Net weight | 65 g | | |

Temperatures

| | | | |
|-----------------------------|--------------------------------------|-----------------------------|----------------|
| Storage temperature | -25 °C...55 °C | Operating temperature | -25 °C...55 °C |
| Operating temperature, min. | -25 °C | Operating temperature, max. | 55 °C |
| Humidity | 35 % to 85 % relative humidity level | | |

Rated data UL

| | |
|-------------------------|---------|
| Certificate No. (cURus) | E312083 |
|-------------------------|---------|

Control side

| | | | |
|-----------------------|----------------|--------------------------------|-----------------|
| Rated control voltage | 220 V DC | Rated current DC | 7.6 mA |
| Power rating | 1.5 W | Pull-in/drop-out voltage, typ. | 154 V / 22 V DC |
| Coil resistance | 29000 Ω ± 10 % | Coil tolerance | 10 % |
| Status indicator | Green LED | | |

Load side

| | | | |
|---|----------------------|---|---------------------------------------|
| Rated switching voltage | 250 V AC | Continuous current | 10 A |
| Max. switching frequency at rated load | 0.1 Hz | Inrush current | 50 A / 50 ms |
| AC switching capacity (resistive), max. | 2500 VA | DC switching capacity (resistive), max. | 240 W @ 24 V |
| Switch-on delay | < 20 ms | Switch-off delay | < 20 ms |
| Contact type | 4 CO contact (AgCdO) | Mechanical service life | 10 x 10 ⁶ switching cycles |
| Min. switching power | 100 mA @ 12 V | | |

General data

| | | |
|--------------------------------------|--------------------------|------------------------|
| Test button available | No | |
| Mechanical switch position indicator | Yes | |
| Colour | Transparent | |
| UL94 flammability rating component | Component | Relay cover |
| | UL94 flammability rating | V-2 |
| | Component | Relay baseplate |
| | UL94 flammability rating | V-0 |
| | Component | Relay status indicator |
| | UL94 flammability rating | HB |

Insulation coordination

| | | | |
|---|--------------------------------|--|--------------------------------|
| Rated voltage | 250 V | Pollution severity | 3 |
| Surge voltage category | III | Insulating material group | IIIa |
| Clearance and creepage distances for control side - load side | ≥ 4 mm | Dielectric strength for control side - load side | 2 kV _{eff} / 1 min |
| Dielectric strength of neighbouring contacts | 1.2 kV _{eff} / 1 min. | Dielectric strength of open contact | 1.2 kV _{eff} / 1 min. |
| Impulse withstand voltage | 5 kV (1.2/50 μs) | Protection degree | IP20 |

Creation date March 1, 2023 3:00:24 PM CET

Catalogue status 18.02.2023 / We reserve the right to make technical changes.

2

DRL570220L**Weidmüller Interface GmbH & Co. KG**

Klingenbergstraße 26

D-32758 Detmold

Germany

www.weidmueller.com

Technical data**Further details of approvals / standards**

Certificate No. (cURus) E312083

Connection dataWire connection method Flat blade connections
(4.8 mm x 0.5 mm)**Classifications**

| | | | |
|-------------|-------------|-------------|-------------|
| ETIM 6.0 | EC001437 | ETIM 7.0 | EC001437 |
| ETIM 8.0 | EC001437 | ECLASS 9.0 | 27-37-16-01 |
| ECLASS 9.1 | 27-37-16-01 | ECLASS 10.0 | 27-37-16-01 |
| ECLASS 11.0 | 27-37-16-01 | ECLASS 12.0 | 27-37-16-01 |

Environmental Product ComplianceREACH SVHC Cadmiumoxid 1306-19-0
SCIP d639b09c-1311-4897-9d28-417da254eb99**Important note**

Product information This article uses an exemption named in Annex III of the RoHS Directive 2011/65/EU "8b - Cadmium and cadmium compounds in electrical contacts", which could only be valid until 21.07.2021, depending on the product category. Please check whether you can use this article depending on the place of marketing and the product category concerned. Alternative product with modified contact material:

Approvals

Approvals

UL File Number Search UL Website
Certificate No. (cURus) E312083**Downloads**

Engineering Data [CAD data – STEP](#)
 Engineering Data [WSCAD](#)
 Product Change Notification [Product Change Notification - Deutsch](#)
[Product Change Notification - English](#)
 Catalogues [Catalogues in PDF-format](#)
 Brochures

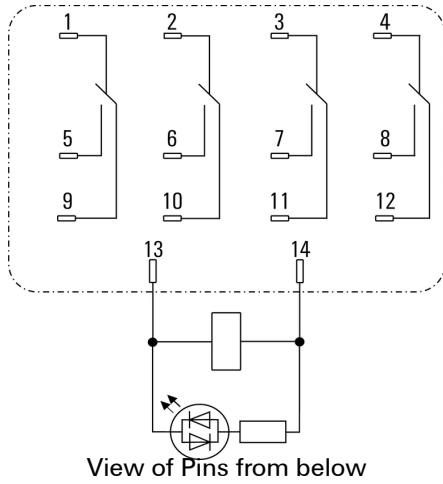
DRL570220L

Weidmüller Interface GmbH & Co. KG
 Klingenbergstraße 26
 D-32758 Detmold
 Germany

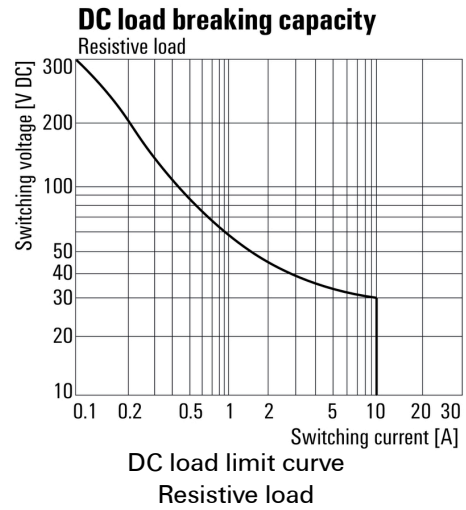
www.weidmueller.com

Drawings

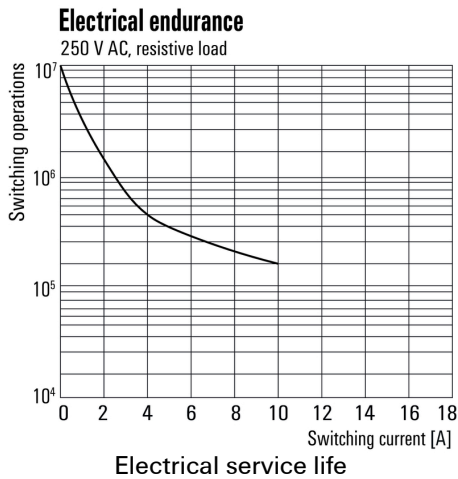
Wiring diagram



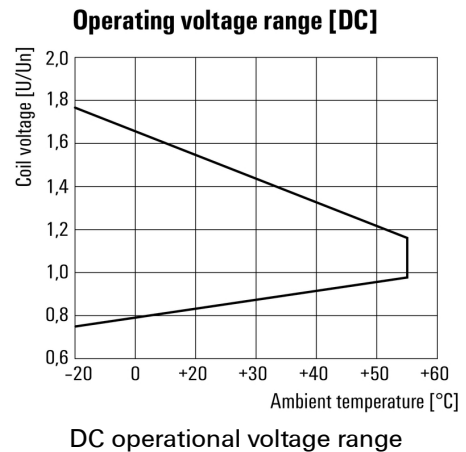
DC load limit curve



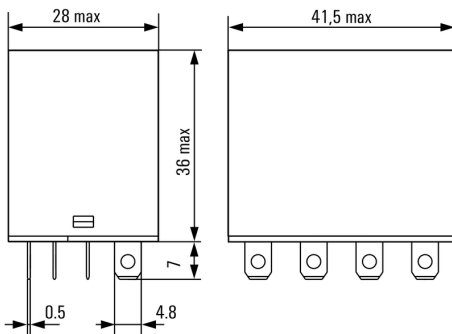
Graph



Graph



Dimensional drawing



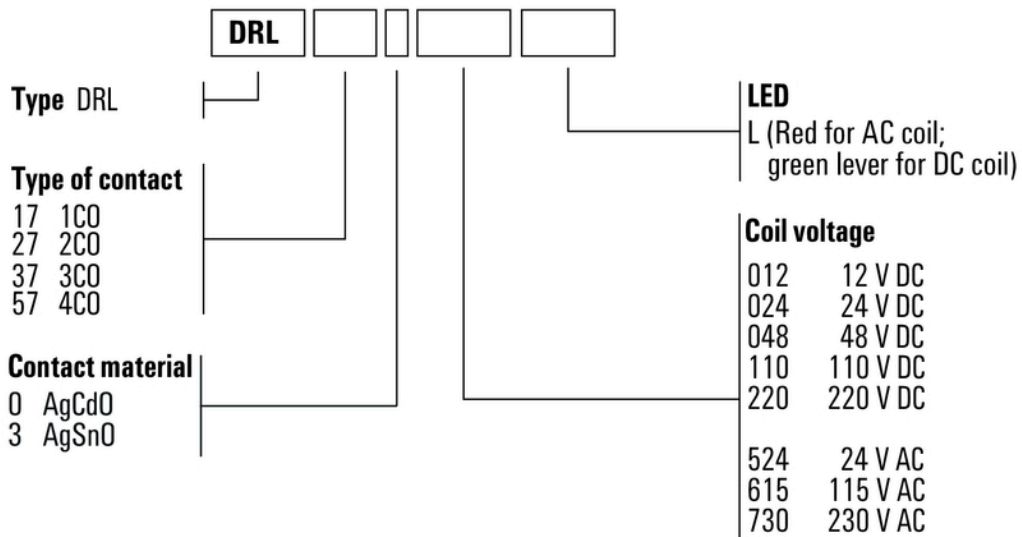
DRL570220L

Weidmüller Interface GmbH & Co. KG
 Klingenbergstraße 26
 D-32758 Detmold
 Germany

www.weidmueller.com

Drawings

Miscellaneous



Type codes