

## DRL170730L

**Weidmüller Interface GmbH & Co. KG**

Klingenbergstraße 26

D-32758 Detmold

Germany

[www.weidmueller.com](http://www.weidmueller.com)

### Product image



Similar to illustration

Individual relays within the D-SERIES DRL

- 1 CO contact
- Optional AC or DC coils
- With integrated status LED

### General ordering data

Version	D-SERIES DRL, Relay, Number of contacts: 1, CO contact AgCdO, Rated control voltage: 230 V AC, Continuous current: 16 A, Flat blade connections (4.8 mm x 0.5 mm), Test button available: No
Order No.	<a href="#">1133860000</a>
Type	DRL170730L
GTIN (EAN)	4032248953370
Qty.	20 pc(s).
Delivery status	<b>This article will no longer be available in the future.</b>
Available until	2021-04-30
Alternative product	<a href="#">2765390000</a>

Creation date March 3, 2023 11:39:33 AM CET

## DRL170730L

Weidmüller Interface GmbH &amp; Co. KG

Klingenbergstraße 26

D-32758 Detmold

Germany

www.weidmueller.com

## Technical data

## Dimensions and weights

Depth	36 mm	Depth (inches)	1.417 inch
Height	28 mm	Height (inches)	1.102 inch
Width	21.5 mm	Width (inches)	0.846 inch
Net weight	35 g		

## Temperatures

Storage temperature	-25 °C...55 °C	Operating temperature	-25 °C...55 °C
Operating temperature, min.	-25 °C	Operating temperature, max.	55 °C
Humidity	35 % to 85 % relative humidity level		

## Rated data UL

Certificate No. (cURus)	E312083
-------------------------	---------

## Control side

Rated control voltage	230 V AC	Rated current AC	6.8 mA
Power rating	1.2 VA	Pull-in/drop-out voltage, typ.	184 V / 69 V AC
Coil resistance	13000 Ω ± 10 %	Coil tolerance	10 %
Status indicator	red LED		

## Load side

Rated switching voltage	250 V AC	Continuous current	16 A
Max. switching frequency at rated load	0.1 Hz	Inrush current	80 A / 50 ms
AC switching capacity (resistive), max.	4000 VA	DC switching capacity (resistive), max.	384 W @ 24 V
Switch-on delay	< 20 ms	Switch-off delay	< 20 ms
Contact type	1 CO contact (AgCdO)	Mechanical service life	10 x 10 <sup>6</sup> switching cycles
Min. switching power	100 mA @ 12 V		

## General data

Test button available	No	
Mechanical switch position indicator	Yes	
Colour	Transparent	
UL94 flammability rating component	Component	Relay cover
	UL94 flammability rating	V-2
	Component	Relay baseplate
	UL94 flammability rating	V-0
	Component	Relay status indicator
	UL94 flammability rating	HB

## Insulation coordination

Rated voltage	250 V	Pollution severity	3
Surge voltage category	III	Insulating material group	IIIa
Clearance and creepage distances for control side - load side	≥ 4 mm	Dielectric strength for control side - load side	2 kV <sub>eff</sub> / 1 min
Dielectric strength of open contact	1.2 kV <sub>eff</sub> / 1 min.	Impulse withstand voltage	5 kV (1.2/50 μs)
Protection degree	IP20		

Creation date March 3, 2023 11:39:33 AM CET

Catalogue status 18.02.2023 / We reserve the right to make technical changes.

2

**DRL170730L****Weidmüller Interface GmbH & Co. KG**

Klingenbergstraße 26

D-32758 Detmold

Germany

www.weidmueller.com

**Technical data****Further details of approvals / standards**

Certificate No. (cURus) E312083

**Connection data**Wire connection method Flat blade connections  
(4.8 mm x 0.5 mm)**Classifications**

ETIM 6.0	EC001437	ETIM 7.0	EC001437
ETIM 8.0	EC001437	ECLASS 9.0	27-37-16-01
ECLASS 9.1	27-37-16-01	ECLASS 10.0	27-37-16-01
ECLASS 11.0	27-37-16-01	ECLASS 12.0	27-37-16-01

**Environmental Product Compliance**REACH SVHC Cadmiumoxid 1306-19-0  
SCIP d639b09c-1311-4897-9d28-417da254eb99**Important note**

Product information This article uses an exemption named in Annex III of the RoHS Directive 2011/65/EU "8b - Cadmium and cadmium compounds in electrical contacts", which could only be valid until 21.07.2021, depending on the product category. Please check whether you can use this article depending on the place of marketing and the product category concerned. Alternative product with modified contact material:

**Approvals**

Approvals

UL File Number Search UL Website  
Certificate No. (cURus) E312083**Downloads**

Engineering Data [CAD data – STEP](#)  
 Engineering Data [WSCAD](#)  
 Product Change Notification [Product Change Notification - Deutsch](#)  
[Product Change Notification - English](#)  
 Catalogues [Catalogues in PDF-format](#)  
 Brochures

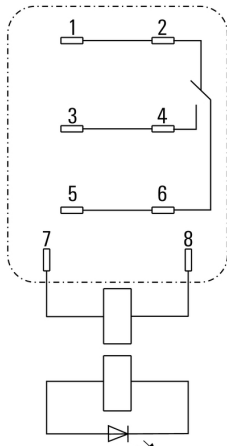
**DRL170730L**

**Weidmüller Interface GmbH & Co. KG**  
 Klingenbergstraße 26  
 D-32758 Detmold  
 Germany

www.weidmueller.com

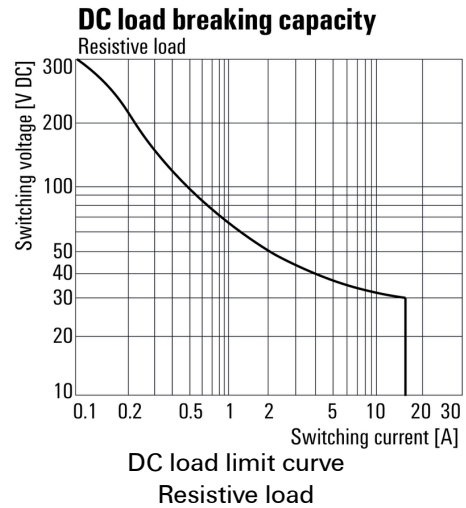
**Drawings**

**Wiring diagram**

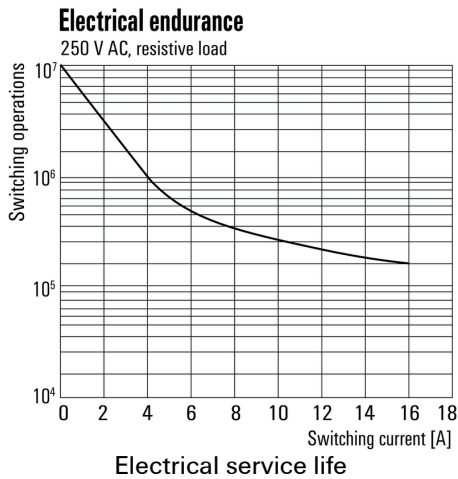


View of Pins from below

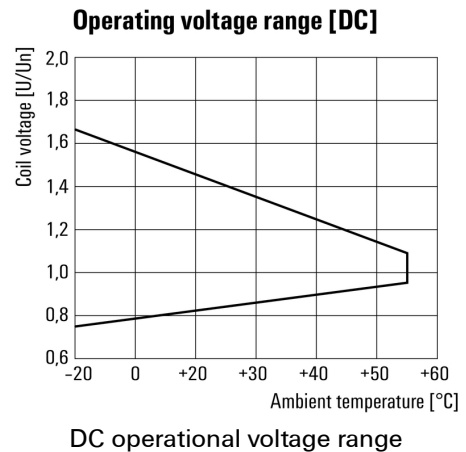
**DC load limit curve**



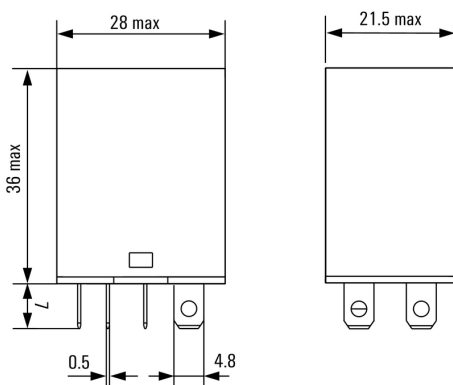
**Graph**



**Graph**



**Dimensional drawing**



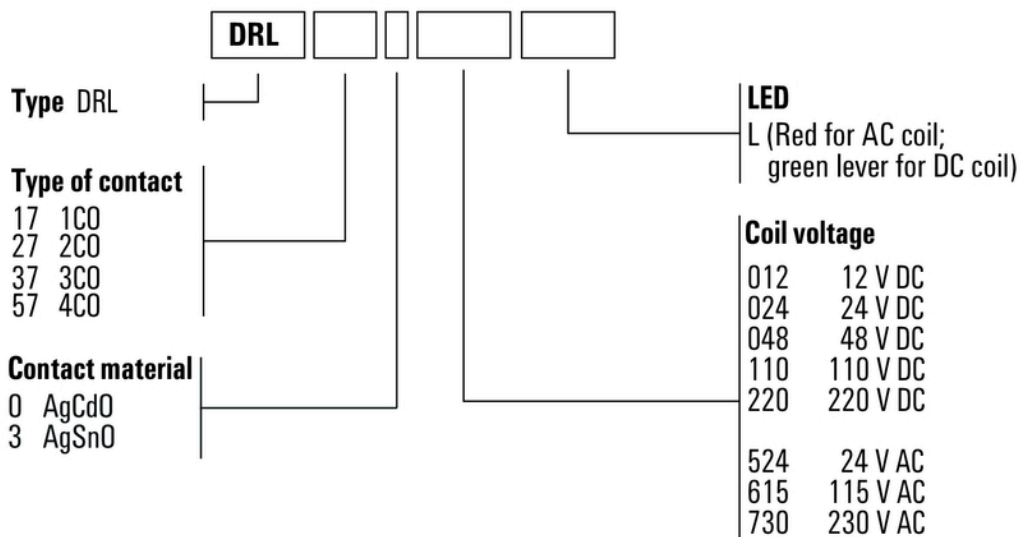
**DRL170730L**

**Weidmüller Interface GmbH & Co. KG**  
 Klingenbergstraße 26  
 D-32758 Detmold  
 Germany

www.weidmueller.com

**Drawings**

**Miscellaneous**



Type codes