

## DRL570615L

Weidmüller Interfaces GmbH &amp; Co. KG

Postfach 3030

32760 Detmold

Tel. +49 5231 14-0

Fax. +49 5231 14-2083

info@weidmueller.com

www.weidmueller.com

## Product image



Similar to illustration

Individual relays within the D-SERIES DRL

- 4 CO contacts
- Optional AC or DC coils
- With integrated status LED

## General ordering data

Version	D-SERIES DRL, Relay, Number of contacts: 4, CO contact AgCdO, Rated control voltage: 115 V AC, Continuous current: 10 A, Flat blade connections (4.8 mm x 0.5 mm), Test button available: No
Order No.	<a href="#">1133950000</a>
Type	DRL570615L
GTIN (EAN)	4032248953455
Qty.	10 pc(s).
Delivery status	<b>This article will no longer be available in the future.</b>
Available until	2021-04-30
Alternative product	<a href="#">2765470000</a>

## DRL570615L

Weidmüller Interfaces GmbH &amp; Co. KG

Postfach 3030

32760 Detmold

Tel. +49 5231 14-0

Fax. +49 5231 14-2083

info@weidmuller.com

www.weidmuller.com

## Technical data

## Dimensions and weights

Depth	36 mm	Depth (inches)	1.417 inch
Height	28 mm	Height (inches)	1.102 inch
Width	41.5 mm	Width (inches)	1.634 inch
Net weight	74 g		

## Temperatures

Storage temperature	-25 °C...55 °C	Operating temperature	-25 °C...55 °C
Operating temperature, min.	-25 °C	Operating temperature, max.	55 °C
Humidity	35 % to 85 % relative humidity level		

## Rated data UL

Certificate No. (cURus) E312083

## Control side

Rated control voltage	115 V AC	Rated current DC	25.5 mA
Power rating	2.5 VA	Pull-in/drop-out voltage, typ.	92 V / 34.5 V AC
Coil resistance	1680 Ω ± 10 %	Coil tolerance	10 %
Status indicator	red LED		

## Load side

Rated switching voltage	250 V AC	Continuous current	10 A
Max. switching frequency at rated load	0.1 Hz	Inrush current	50 A / 50 ms
AC switching capacity (resistive), max.	2500 VA	DC switching capacity (resistive), max.	240 W @ 24 V
Switch-on delay	< 20 ms	Switch-off delay	< 20 ms
Contact type	4 CO contact (AgCdO)	Mechanical service life	10 x 10 <sup>6</sup> switching cycles
Min. switching power	100 mA @ 12 V		

## General data

Test button available	No		
Mechanical switch position indicator	Yes		
Colour	Transparent		
UL94 flammability rating component	Component	Relay cover	
	UL94 flammability rating	V-2	
	Component	Relay baseplate	
	UL94 flammability rating	V-0	
	Component	Relay status indicator	
	UL94 flammability rating	HB	

## Insulation coordination

Rated voltage	250 V	Pollution severity	3
Surge voltage category	III	Insulating material group	IIIa
Clearance and creepage distances for control side - load side	≥ 4 mm	Dielectric strength for control side - load side	2 kV <sub>eff</sub> / 1 min
Dielectric strength of neighbouring contacts	1.2 kV <sub>eff</sub> / 1 min.	Dielectric strength of open contact	1.2 kV <sub>eff</sub> / 1 min.
Impulse withstand voltage	5 kV (1.2/50 μs)	Protection degree	IP20

Creation date March 2, 2023 2:09:43 PM CET

Catalogue status 18.02.2023 / We reserve the right to make technical changes.

## DRL570615L

**Weidmüller Interfaces GmbH & Co. KG**

Postfach 3030

32760 Detmold

Tel. +49 5231 14-0

Fax. +49 5231 14-2083

[info@weidmueller.com](mailto:info@weidmueller.com)

[www.weidmueller.com](http://www.weidmueller.com)

## Technical data

### Further details of approvals / standards

Certificate No. (cURus)	E312083	<a href="http://www.weidmueller.com">www.weidmueller.com</a>
-------------------------	---------	--

### Connection data

Wire connection method	Flat blade connections (4.8 mm x 0.5 mm)
------------------------	---

### Classifications

ETIM 6.0	EC001437	ETIM 7.0	EC001437
ETIM 8.0	EC001437	ECLASS 9.0	27-37-16-01
ECLASS 9.1	27-37-16-01	ECLASS 10.0	27-37-16-01
ECLASS 11.0	27-37-16-01	ECLASS 12.0	27-37-16-01

### Environmental Product Compliance

REACH SVHC	Cadmiumoxid 1306-19-0
SCIP	d639b09c-1311-4897-9d28-417da254eb99

### Important note

Product information	This article uses an exemption named in Annex III of the RoHS Directive 2011/65/EU "8b - Cadmium and cadmium compounds in electrical contacts", which could only be valid until 21.07.2021, depending on the product category. Please check whether you can use this article depending on the place of marketing and the product category concerned. Alternative product with modified contact material:
---------------------	--

### Approvals

Approvals



UL File Number Search	UL Website
Certificate No. (cURus)	E312083

### Downloads

Engineering Data	<a href="#">CAD data – STEP</a>
Engineering Data	<a href="#">WSCAD</a>
Product Change Notification	<a href="#">Product Change Notification - Deutsch</a> <a href="#">Product Change Notification - English</a>
Catalogues	<a href="#">Catalogues in PDF-format</a>
Brochures	

**DRL570615L**

Weidmüller Interfaces GmbH & Co. KG

Postfach 3030

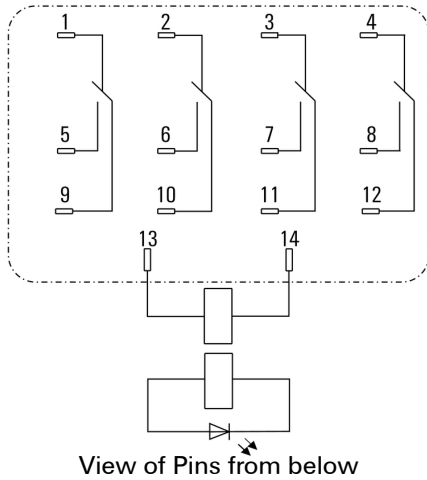
32760 Detmold

Tel. +49 5231 14-0

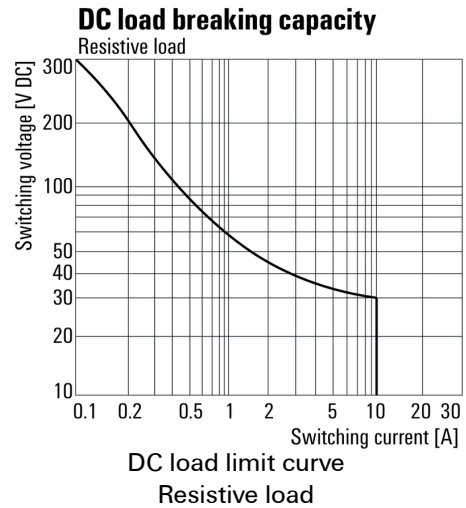
Fax. +49 5231 14-2083

**Drawings**

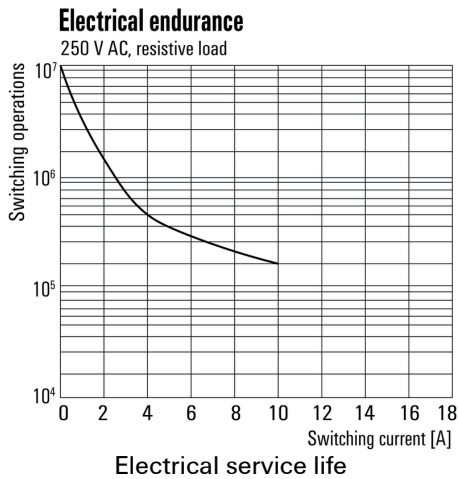
**Wiring diagram**



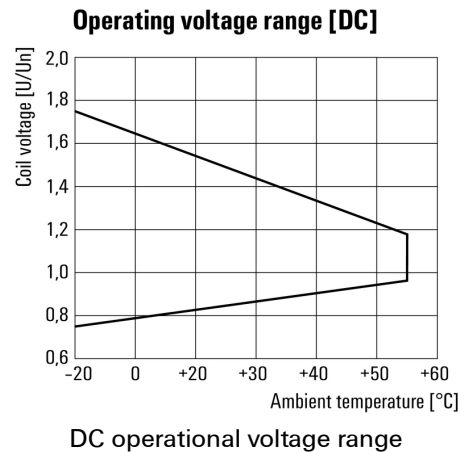
**DC load limit curve** info@weidmueller.com



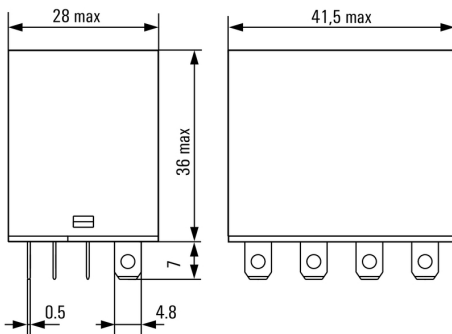
**Graph**



**Graph**



**Dimensional drawing**



**DRL570615L**

**Weidmüller Interfaces GmbH & Co. KG**

Postfach 3030

32760 Detmold

Tel. +49 5231 14-0

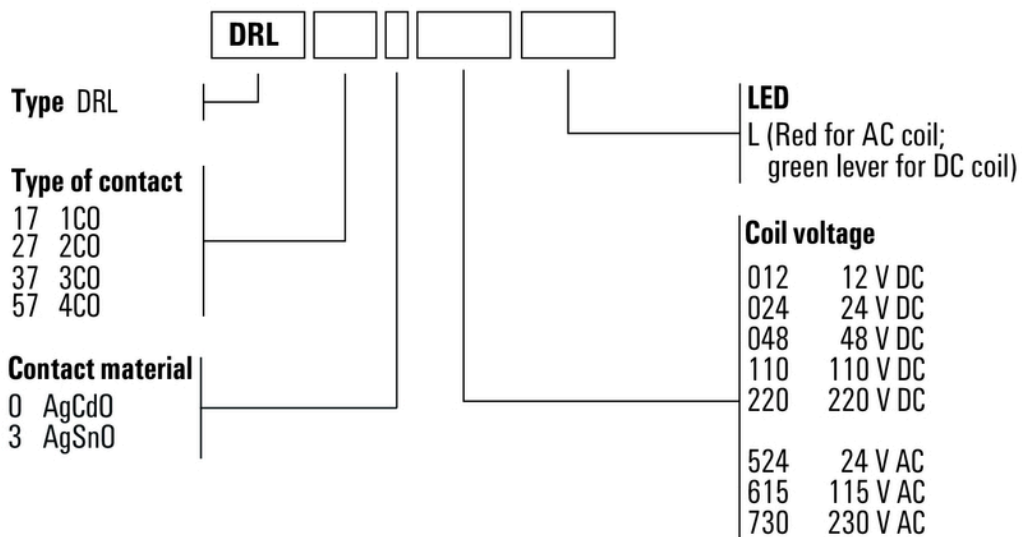
Fax. +49 5231 14-2083

info@weidmueller.com

www.weidmueller.com

**Drawings**

**Miscellaneous**



Type codes