

SAIE-M23-S-VW**Weidmüller Interface GmbH & Co. KG**

Klingenbergstraße 26

D-32758 Detmold

Germany

www.weidmueller.com



The M23 round plug-in connectors offer a high number of mating cycles, high current-carrying capacity and high contact-density coupled with minimum dimensions. Enclosures, inserts and crimp contacts need to be ordered separately.

General ordering data

Version	Sensor/Actuator plug-in connector, Built-in plugs, Empty enclosure
Order No.	1169940000
Type	SAIE-M23-S-VW
GTIN (EAN)	4032248962013
Qty.	1 pc(s).

Creation date March 7, 2023 5:51:21 PM CET

Catalogue status 03.03.2023 / We reserve the right to make technical changes.

SAIE-M23-S-VW**Weidmüller Interface GmbH & Co. KG**

Klingenbergstraße 26

D-32758 Detmold

Germany

www.weidmueller.com

Technical data**Dimensions and weights**

Net weight 24 g

Temperatures

Operating temperature, min. -40 °C Operating temperature, max. 125 °C

Technical data customisable plug-in connectors

Housing main material	Copper-zinc alloy	Pollution severity	3
Protection degree	IP67, IP69K	Shield connection	Yes
Temperature range of housing	-40...+125 °C		

Classifications

ETIM 6.0	EC000437	ETIM 7.0	EC003556
ETIM 8.0	EC003556	ECLASS 9.1	27-44-02-02
ECLASS 10.0	27-44-02-24	ECLASS 11.0	27-44-02-24
ECLASS 12.0	27-44-02-24		

Environmental Product Compliance

REACH SVHC	Lead 7439-92-1
SCIP	ebf89fc8-a87f-4691-b87a-dfb9921774b4

Approvals

Approvals



ROHS	Conform
UL File Number Search	UL Website
Certificate No. (UR)	E344862

Downloads

Engineering Data	CAD data – STEP
Catalogues	Catalogues in PDF-format
Brochures	FL FIELDWIRING EN FL FIELDWIRING EN

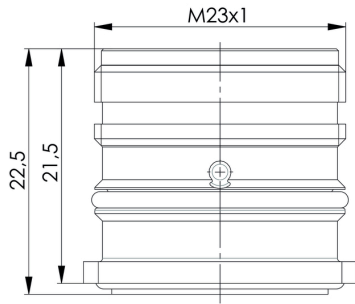
SAIE-M23-S-VW

Weidmüller Interface GmbH & Co. KG
Klingenbergstraße 26
D-32758 Detmold
Germany

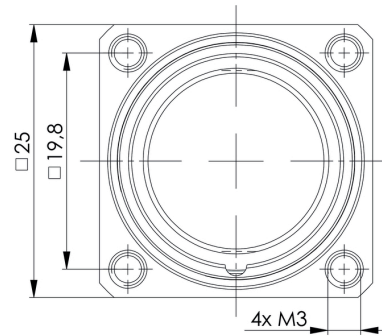
www.weidmueller.com

Drawings

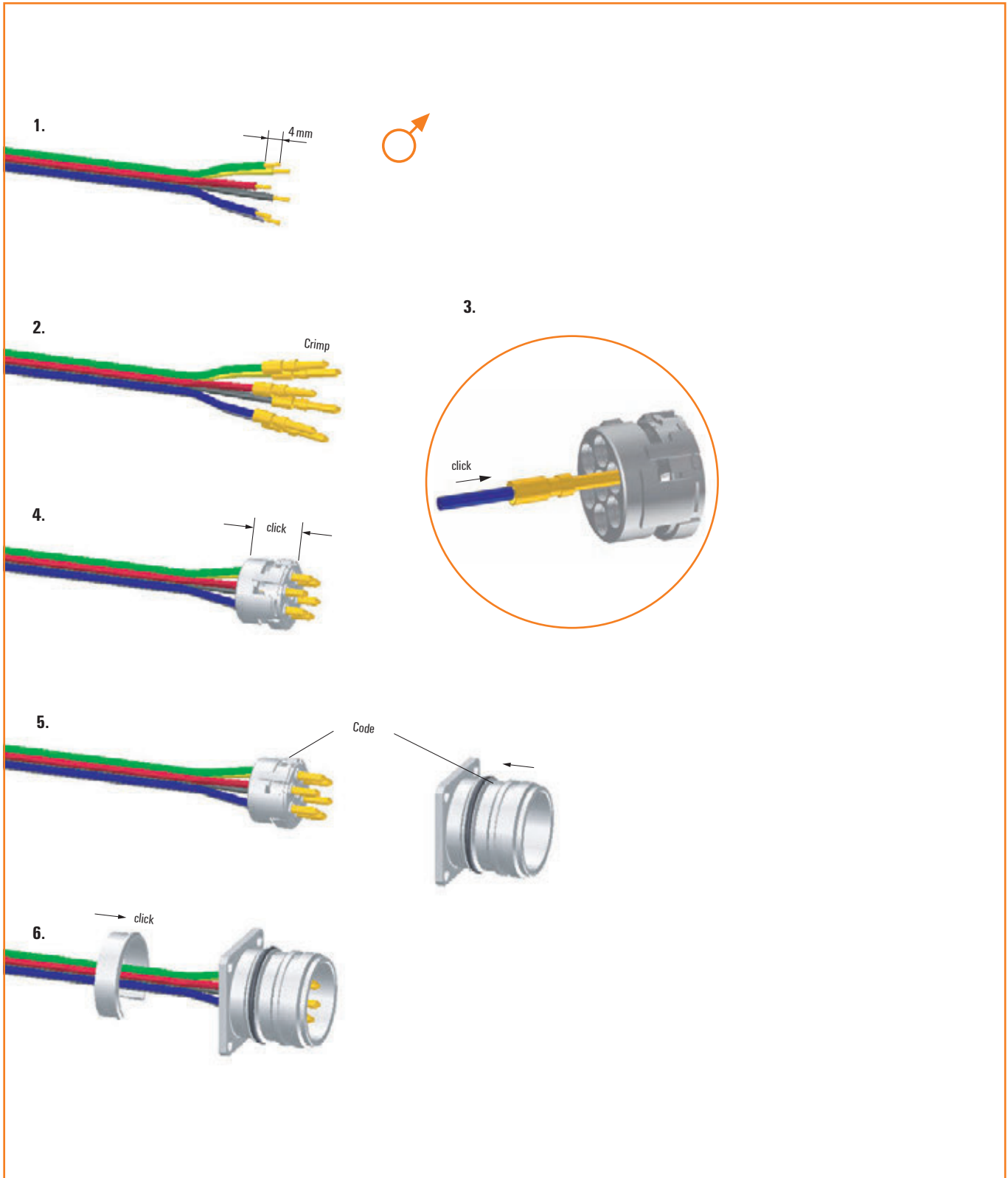
Dimensioned drawing



Dimensioned drawing



Device connector, male



F