

SAI-08L-VPFC-3A-M08L-PNP-15U03**Weidmüller Interface GmbH & Co. KG**

Klingenbergstraße 26

D-32758 Detmold

Germany

www.weidmueller.com



The new slim M8 line from Weidmüller. This range of products is characterised by the marking options at all connection positions. Even the 4-way distributor with 8-pole M12 has adequately large markers at all M8 connection positions. Furthermore, this distributor is shorter than many conventional M8 designs.

- Very narrow, short and flat M8 distributor.
- The range is supplied with 4 to 12 M8 connection positions, 3 or 4 poles.
- Hybrid variants of the M8 are also possible on request.
- The M8 line is equipped with transverse holes.

General ordering data

Version	SAI Passive, Sensor-actuator passive distributor, M8, Fixed cable version, 15 m, Yes
Order No.	1179330000
Type	SAI-08L-VPFC-3A-M08L-PNP-15U03
GTIN (EAN)	4032248970933
Qty.	1 pc(s).

Creation date March 16, 2023 3:40:15 PM CET

Catalogue status 03.03.2023 / We reserve the right to make technical changes.

SAI-08L-VPFC-3A-M08L-PNP-15U03

Weidmüller Interface GmbH & Co. KG

Klingenbergstraße 26

D-32758 Detmold

Germany

www.weidmueller.com

Technical data

Dimensions and weights

Depth	18.2 mm	Depth (inches)	0.717 inch
Height	144 mm	Height (inches)	5.669 inch
Width	24 mm	Width (inches)	0.945 inch
Net weight	1,239 g		

Temperatures

Operating temperature	-20 - 70°C	Operating temperature, min.	-20 °C
Operating temperature, max.	70 °C		

Connection data

Distributor outlet	Fixed cable version
--------------------	---------------------

Electrical data

Rated voltage, min.	15 V	Rated voltage, max.	30 V
Max. current-carrying capacity per slot	2 A	Total current	6 A
Insulation strength	10 ⁹ Ω		

General technical data

Protection degree	IP68	Number of poles	3
Number of contact sockets	8	Connection thread	M8
Pollution severity	3	LED	Yes

Material data

Material O-Ring	FKM	Housing main material	PBT
Material of distributor	Plastic	Housing colour	black (similar to RAL 9005)
Contact material	CuZn	Contact surface	Gold-plated
Contact carrier material	PBT (UL 94 V0)		

Technical data cable

Bending cycles	2 Mio	Bending radius, min., moving	10 x cable diameter
Halogen	No	Number of poles	3
O.D.	7.4 mm	Sheath material	PUR
Sheathing colour	black	Shielded	No
Wire cross section (Print/Online)	8 x 0.34 mm ² + 2 x 0.75 mm ²	Cable length	15 m
Suitable for cable carriers	Yes		

Classifications

ETIM 6.0	EC002585	ETIM 7.0	EC002585
ETIM 8.0	EC002585	ECLASS 9.0	27-44-01-08
ECLASS 9.1	27-44-01-08	ECLASS 10.0	27-44-01-08
ECLASS 11.0	27-44-01-08	ECLASS 12.0	27-44-01-08

SAI-08L-VPFC-3A-M08L-PNP-15U03

Weidmüller Interface GmbH & Co. KG
Klingenbergstraße 26
D-32758 Detmold
Germany

www.weidmueller.com

Technical data

Environmental Product Compliance

REACH SVHC	Lead 7439-92-1
SCIP	22cbd99b-5f46-4c36-9938-bd61e241a9ab

Approvals

Approvals



ROHS	Conform
------	---------

Downloads

Engineering Data	CAD data – STEP
Product Change Notification	20211208 Technical change to SAI M8 Line Distribution Boxes 20211208 Technische Änderung zu SAI M8 Line Verteiler
Catalogues	Catalogues in PDF-format
Brochures	FL FIELDWIRING EN

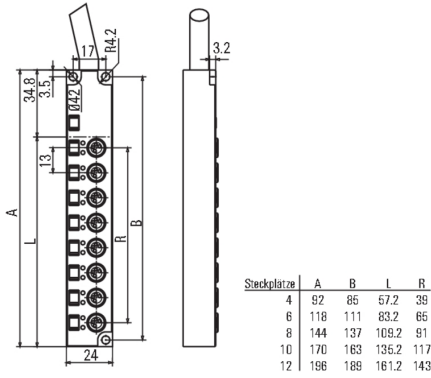
SAI-08L-VPFC-3A-M08L-PNP-15U03

Weidmüller Interface GmbH & Co. KG
 Klängenbergstraße 26
 D-32758 Detmold
 Germany

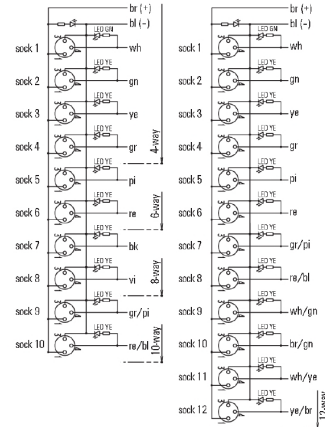
www.weidmueller.com

Drawings

Dimensioned drawing



Wiring diagram



Pole scheme

