

## RSS112012

**Weidmüller Interface GmbH & Co. KG**  
 Klingenbergstraße 26  
 D-32758 Detmold  
 Germany

www.weidmueller.com

### Product image



Similar to illustration

Individual relays for TERMSERIES

- Electromechanical relays
- Different contact materials

### General ordering data

Version	TERMSERIES, Relay, Number of contacts: 1, CO contact AgNi gold-plated, Rated control voltage: 12 V DC, Continuous current: 6 A, Plug-in connection, Test button available: No
Order No.	<a href="#">1220670000</a>
Type	RSS112012
GTIN (EAN)	4050118049749
Qty.	20 Stück

Erstellungs-Datum May 30, 2023 11:27:56 AM CEST

Katalogstand 26.05.2023 / Technische Änderungen vorbehalten

RSS112012

Weidmüller Interface GmbH &amp; Co. KG

Klingenbergstraße 26

D-32758 Detmold

Germany

www.weidmueller.com

## Technische Daten

## Dimensions and weights

Depth	15 mm	Depth (inches)	0.591 inch
Height	28 mm	Height (inches)	1.102 inch
Width	5 mm	Width (inches)	0.197 inch
Net weight	4.8 g		

## Temperatures

Storage temperature	-40 °C...85 °C	Operating temperature	-40 °C...85 °C
Operating temperature, min.	-40 °C	Operating temperature, max.	85 °C
Humidity	5...85 % rel. humidity, no condensation		

## Rated data UL

Certificate No. (cURus)	E223474
-------------------------	---------

## Control side

Rated control voltage	12 V DC	Rated current DC	14 mA
Power rating	170 mW	Pull-in/drop-out voltage, typ.	10.5 V / 0.6 V DC
Coil resistance	847 $\Omega \pm 10 \%$	Coil tolerance	10 %
Status indicator	No		

## Load side

Rated switching voltage	250 V AC	Continuous current	6 A
Max. switching frequency at rated load	0.1 Hz	Max. switching voltage, AC	250 V
Max. switching voltage, DC	250 V	AC switching capacity (resistive), max.	1500 VA
DC switching capacity (resistive), max.	144 W @ 24 V	Switch-on delay	< 8 ms
Switch-off delay	< 4 ms	Contact type	1 CO contact (AgNi gold-plated)
Mechanical service life	5 x 10 <sup>6</sup> switching cycles	Min. switching power	1 mA @ 1 V

## General data

Test button available	No	Mechanical switch position indicator	No
Colour	white		

## Insulation coordination

Clearance and creepage distances for control side - load side	$\geq 6$ mm	Dielectric strength for control side - load side	4 kV <sub>eff</sub> / 1 Min.
Dielectric strength of open contact	1 kV <sub>eff</sub> / 1 min	Protection degree	IP67

## Further details of approvals / standards

Certificate No. (cURus)	E223474
-------------------------	---------

## Connection data

Wire connection method	Plug-in connection
------------------------	--------------------

**RSS112012**

**Weidmüller Interface GmbH & Co. KG**  
Klingenbergstraße 26  
D-32758 Detmold  
Germany

www.weidmueller.com

**Technische Daten****Classifications**

ETIM 6.0	EC001437	ETIM 7.0	EC001437
ETIM 8.0	EC001437	ECLASS 9.0	27-37-16-01
ECLASS 9.1	27-37-16-01	ECLASS 10.0	27-37-16-01
ECLASS 11.0	27-37-16-01	ECLASS 12.0	27-37-16-01

**Approvals**

Approvals



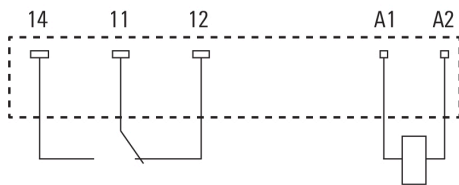
ROHS	Conform
UL File Number Search	UL Website
Certificate No. (cURus)	E223474

**Downloads**

Engineering Data	<a href="#">CAD data – STEP</a>
Engineering Data	<a href="#">WSCAD</a>
Catalogues	<a href="#">Catalogues in PDF-format</a>
Brochures	

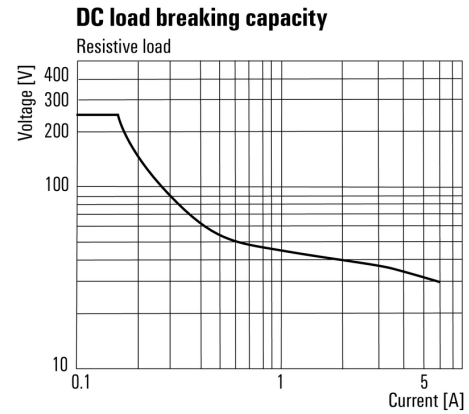
**Zeichnungen**

**Wiring diagram**



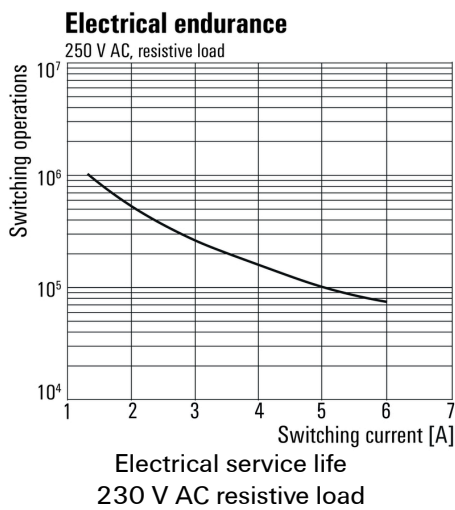
View of Pins from below

**Graph**

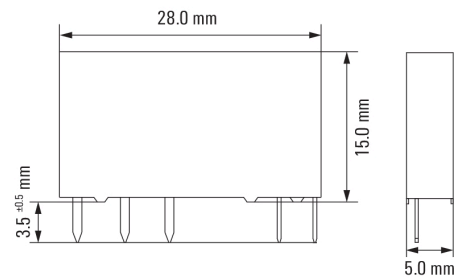


DC load limit curve

**Graph**

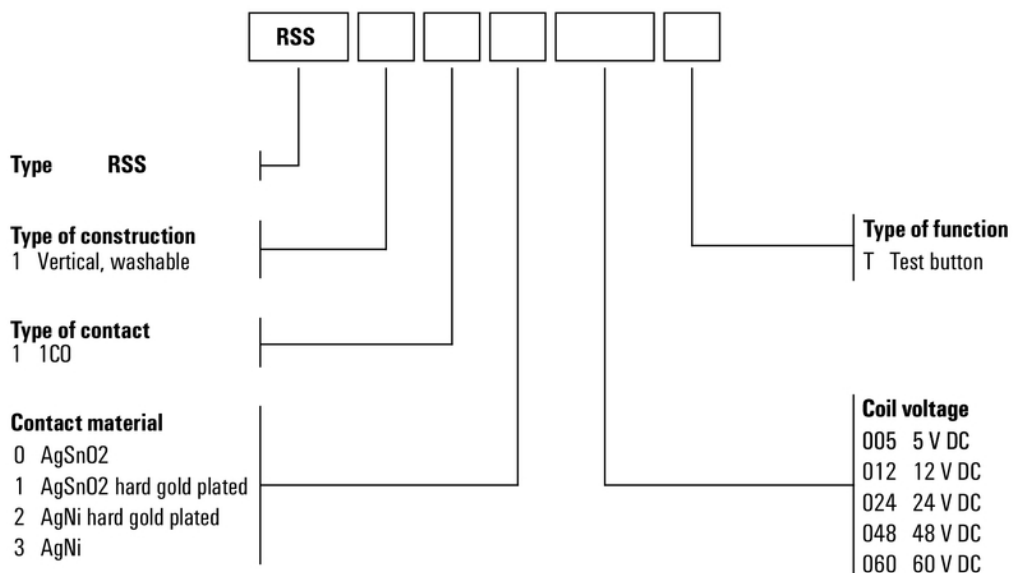


**Dimensional drawing**



**Miscellaneous**

**Type code electromechanical relay (TERMSERIES)**



Type codes