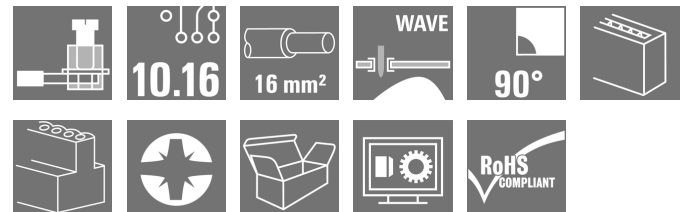


## LUP 10.16/05/90 3.2SN BK BX

**Weidmüller Interface GmbH & Co. KG**  
 Klingenbergstraße 26  
 D-32758 Detmold  
 Germany

www.weidmueller.com

### Product image



Similar to illustration

This PCB terminal provides connections for 1000 V, test point, 76 A and 16 mm<sup>2</sup> conductor cross-section with proven clamping yoke connection at 10.16 mm pitch, conductor outlet direction in 90° design.

### General ordering data

|              |   |
|--------------|---|
| Version      | Printed circuit board terminals, 10.16 mm, Number of poles: 5, 90°, Solder pin length (l): 3.2 mm, tinned, black, Clamping yoke connection, Clamping range, max. : 16 mm <sup>2</sup> , Box |
| Order No.    | <a href="#">1226320000</a>  |
| Type         | LUP 10.16/05/90 3.2SN BK BX   |
| GTIN (EAN)   | 4050118010862   |
| Qty.         | 20 pc(s).   |
| Product data | IEC: 1000 V / 76 A / 0.5 - 16 mm <sup>2</sup><br>UL: 300 V / 58 A / AWG 26 - AWG 6  |
| Packaging    | Box   |

Creation date March 2, 2023 10:34:25 AM CET

## LUP 10.16/05/90 3.2SN BK BX

**Weidmüller Interface GmbH & Co. KG**

Klingenbergstraße 26

D-32758 Detmold

Germany

www.weidmueller.com

## Technical data

### Dimensions and weights

|                          |            |                 |            |
|--------------------------|------------|-----------------|------------|
| Depth                    | 25.1 mm    | Depth (inches)  | 0.988 inch |
| Height                   | 34.7 mm    | Height (inches) | 1.366 inch |
| Height of lowest version | 31.5 mm    | Width           | 51.6 mm    |
| Width (inches)           | 2.031 inch | Net weight      | 46.158 g   |

### Temperatures

|                             |        |                             |        |
|-----------------------------|--------|-----------------------------|--------|
| Operating temperature, min. | -50 °C | Operating temperature, max. | 120 °C |
|-----------------------------|--------|-----------------------------|--------|

### System parameters

|  |                              |  |                          |
|--|------------------------------|--|--------------------------|
| Product family                             | OMNIMATE Power - series LUP  | Wire connection method                       | Clamping yoke connection |
| Mounting onto the PCB                      | THT solder connection        | Conductor outlet direction                   | 90°                      |
| Pitch in mm (P)                            | 10.16 mm                     | Pitch in inches (P)                          | 0.4 inch                 |
| Number of poles                            | 5                            | Pin series quantity                          | 1                        |
| Fitted by customer                         | Yes                          | Number of rows                               | 1                        |
| Max. adjacent poles per row                | 12                           | Solder pin length (l)                        | 3.2 mm                   |
| Solder pin dimensions                      | 1.2 x 1.2 mm                 | Solder eyelet hole diameter (D)              | 1.6 mm                   |
| Solder eyelet hole diameter tolerance (D)+ | 0,1 mm                       | Number of solder pins per pole               | 2                        |
| Screwdriver blade                          | 1.0 x 5.5, PZ 2              | Screwdriver blade standard                   | DIN 5264                 |
| Tightening torque, min.                    | 1.2 Nm                       | Tightening torque, max.                      | 1.5 Nm                   |
| Clamping screw                             | M 4                          | Stripping length                             | 12 mm                    |
| L1 in mm                                   | 40.64 mm                     | L1 in inches                                 | 1.6 inch                 |
| Touch-safe protection acc. to DIN VDE 0470 | IP20 plugged/ IP10 unplugged | Touch-safe protection acc. to DIN VDE 57 106 | Safe from finger touch   |
| Protection degree                          | IP20                         | Volume resistance                            | 0.50 mΩ                  |

### Material data

|                                       |                                  |                                       |        |
|---------------------------------------|----------------------------------|---------------------------------------|--------|
| Insulating material                   | Wemid (PA)                       | Colour                                | black  |
| Colour chart (similar)                | RAL 9011                         | Insulating material group             | I      |
| Comparative Tracking Index (CTI)      | ≥ 600                            | UL 94 flammability rating             | V-0    |
| Contact material                      | E-Cu                             | Contact surface                       | tinned |
| Layer structure of solder connection  | 1.5...3 µm Ni / 4...6 µm Sn matt | Storage temperature, min.             | -40 °C |
| Storage temperature, max.             | 70 °C                            | Operating temperature, min.           | -50 °C |
| Operating temperature, max.           | 120 °C                           | Temperature range, installation, min. | -25 °C |
| Temperature range, installation, max. | 120 °C                           |                                       |        |

### Conductors suitable for connection

|   |                      |
|---|----------------------|
| Clamping range, min.  | 0.13 mm <sup>2</sup> |
| Clamping range, max.  | 16 mm <sup>2</sup>   |
| Wire connection cross section AWG, min.                             | AWG 22               |
| Wire connection cross section AWG, max.                             | AWG 6                |
| Solid, min. H05(07) V-U   | 0.5 mm <sup>2</sup>  |
| Solid, max. H05(07) V-U   | 16 mm <sup>2</sup>   |
| Stranded, min. H07V-R   | 6 mm <sup>2</sup>    |
| Stranded, max. H07V-R   | 16 mm <sup>2</sup>   |
| Flexible, min. H05(07) V-K  | 0.5 mm <sup>2</sup>  |
| Flexible, max. H05(07) V-K  | 16 mm <sup>2</sup>   |
| w. plastic collar ferrule, DIN 46228 pt 4, 2.5 mm <sup>2</sup> min. |                      |

Creation date March 2, 2023 10:34:25 AM CET

## LUP 10.16/05/90 3.2SN BK BX

**Weidmüller Interface GmbH & Co. KG**  
 Klingenbergstraße 26  
 D-32758 Detmold  
 Germany

www.weidmueller.com

## Technical data

w. plastic collar ferrule, DIN 46228 pt 4, 10 mm<sup>2</sup>  
 max.

w. wire end ferrule, DIN 46228 pt 1, 2.5 mm<sup>2</sup>  
 min.

w. wire end ferrule, DIN 46228 pt 1, 10 mm<sup>2</sup>  
 max.

Plug gauge in accordance with EN 60999 a x b; ø 5.4 mm x 5.1 mm; 5.3 mm

| Clampable conductor                    | Cross-section for conductor connection | Type                         | fine-wired                  |
|--|--|------------------------------|-----------------------------|
|  |  | nominal                      | 2.5 mm <sup>2</sup>         |
| wire end ferrule                       | wire end ferrule                       | Stripping length             | nominal 12 mm               |
|  |  | Recommended wire-end ferrule | <a href="#">H2.5/12</a>     |
|  |  | Stripping length             | nominal 14 mm               |
|  |  | Recommended wire-end ferrule | <a href="#">H2.5/19D BL</a> |
| Cross-section for conductor connection | Type                                   | fine-wired                   |                             |
|  | nominal                                | 4 mm <sup>2</sup>            |                             |
| wire end ferrule                       | wire end ferrule                       | Stripping length             | nominal 12 mm               |
|  |  | Recommended wire-end ferrule | <a href="#">H4.0/12</a>     |
|  |  | Stripping length             | nominal 14 mm               |
|  |  | Recommended wire-end ferrule | <a href="#">H4.0/20D GR</a> |
| Cross-section for conductor connection | Type                                   | fine-wired                   |                             |
|  | nominal                                | 6 mm <sup>2</sup>            |                             |
| wire end ferrule                       | wire end ferrule                       | Stripping length             | nominal 12 mm               |
|  |  | Recommended wire-end ferrule | <a href="#">H6.0/12</a>     |
|  |  | Stripping length             | nominal 14 mm               |
|  |  | Recommended wire-end ferrule | <a href="#">H6.0/20 SW</a>  |
| Cross-section for conductor connection | Type                                   | fine-wired                   |                             |
|  | nominal                                | 10 mm <sup>2</sup>           |                             |
| wire end ferrule                       | wire end ferrule                       | Stripping length             | nominal 15 mm               |
|  |  | Recommended wire-end ferrule | <a href="#">H10.0/22 EB</a> |
|  |  | Stripping length             | nominal 12 mm               |
|  |  | Recommended wire-end ferrule | <a href="#">H10.0/12</a>    |

Reference text Length of ferrules is to be chosen depending on the product and the rated voltage., The outside diameter of the plastic collar should not be larger than the pitch (P)

### Rated data acc. to IEC

| tested acc. to standard   | IEC 60664-1, IEC 61984 | Rated current, min. number of poles (Tu=20°C)                         | 76 A              |
|---|------------------------|---|-------------------|
| Rated current, max. number of poles (Tu=20°C)                             | 72 A                   | Rated current, min. number of poles (Tu=40°C)                         | 72 A              |
| Rated current, max. number of poles (Tu=40°C)                             | 62 A                   | Rated voltage for surge voltage class / pollution degree II/2         | 1,000 V           |
| Rated voltage for surge voltage class / pollution degree III/2            | 1,000 V                | Rated voltage for surge voltage class / pollution degree III/3        | 800 V             |
| Rated impulse voltage for surge voltage class/ pollution degree II/2      | 6 kV                   | Rated impulse voltage for surge voltage class/ pollution degree III/2 | 8 kV              |
| Rated impulse voltage for surge voltage class/ contamination degree III/3 | 8 kV                   | Short-time withstand current resistance                               | 1 x 1s with 700 A |

**LUP 10.16/05/90 3.2SN BK BX****Weidmüller Interface GmbH & Co. KG**

Klingenbergstraße 26

D-32758 Detmold

Germany

www.weidmueller.com

**Technical data****Rated data acc. to CSA**

Institute (CSA)



Certificate No. (CSA)

200039-1198743

|                                   |        |
|-----------------------------------|--------|
| Rated voltage (Use group B / CSA) | 300 V  |
| Rated voltage (Use group D / CSA) | 600 V  |
| Rated current (Use group C / CSA) | 58 A   |
| Wire cross-section, AWG, min.     | AWG 22 |

|                                   |       |
|-----------------------------------|-------|
| Rated voltage (Use group C / CSA) | 300 V |
| Rated current (Use group B / CSA) | 58 A  |
| Rated current (Use group D / CSA) | 5 A   |
| Wire cross-section, AWG, max.     | AWG 6 |

Reference to approval values

Specifications are maximum values, details - see approval certificate.

**Rated data acc. to UL 1059**

Institute (cURus)



Certificate No. (cURus)

E60693

|                                       |        |
|---------------------------------------|--------|
| Rated voltage (Use group B / UL 1059) | 300 V  |
| Rated voltage (Use group D / UL 1059) | 600 V  |
| Rated current (Use group C / UL 1059) | 58 A   |
| Wire cross-section, AWG, min.         | AWG 26 |

|                                       |       |
|---------------------------------------|-------|
| Rated voltage (Use group C / UL 1059) | 300 V |
| Rated current (Use group B / UL 1059) | 58 A  |
| Rated current (Use group D / UL 1059) | 5 A   |
| Wire cross-section, AWG, max.         | AWG 6 |

Reference to approval values

Specifications are maximum values, details - see approval certificate.

**Packing**

|           |        |            |        |
|-----------|--------|------------|--------|
| Packaging | Box    | VPE length | 45 mm  |
| VPE width | 130 mm | VPE height | 230 mm |

**Classifications**

|             |             |             |             |
|-------------|-------------|-------------|-------------|
| ETIM 6.0    | EC002643    | ETIM 7.0    | EC002643    |
| ETIM 8.0    | EC002643    | ECLASS 9.0  | 27-44-04-01 |
| ECLASS 9.1  | 27-44-04-01 | ECLASS 10.0 | 27-44-04-01 |
| ECLASS 11.0 | 27-46-01-01 | ECLASS 12.0 | 27-46-01-01 |

## LUP 10.16/05/90 3.2SN BK BX

**Weidmüller Interface GmbH & Co. KG**  
 Klingenbergstraße 26  
 D-32758 Detmold  
 Germany

www.weidmueller.com

## Technical data

## Important note

|                |  |
|----------------|--|
| IPC conformity | Conformity: The products are developed, manufactured and delivered according international recognized standards and norms and comply with the assured properties in the data sheet resp. fulfill decorative properties in accordance with IPC-A-610 "Class 2". Further claims on the products can be evaluated on request.   |
| Notes          | <ul style="list-style-type: none"> <li>• Additional variants on request</li> <li>• Rated current related to rated cross-section &amp; min. No. of poles.</li> <li>• Wire end ferrule without plastic collar to DIN 46228/1</li> <li>• Wire end ferrule with plastic collar to DIN 46228/4</li> <li>• The data given under CSA relates to a cUL approval - E60693</li> <li>• P on drawing = pitch</li> <li>• Rated data refer only to the component itself. Clearance and creepage distances to other components are to be designed in accordance with the relevant application standards.</li> <li>• The test point can only be used as potential-pickup point.</li> <li>• Long term storage of the product with average temperature of 50 °C and average humidity 70%, 36 months</li> </ul> |

## Approvals

Approvals



|                         |            |
|-------------------------|------------|
| ROHS                    | Conform    |
| UL File Number Search   | UL Website |
| Certificate No. (cURus) | E60693     |

## Downloads

|   |  |
|---|--|
| Approval/Certificate/Document of Conformity | <a href="#">Declaration of the Manufacturer</a>  |
| Engineering Data                            | <a href="#">CAD data – STEP</a>  |
| Engineering Data                            | <a href="#">WSCAD</a>  |
| Product Change Notification                 | <a href="#">20220201 Visual change OMNIMATE® Power PCB terminal blocks and connectors</a><br><a href="#">20220201 Visuelle Änderung OMNIMATE® Power Leiterplattenklemmen und -steckverbinder</a>   |
| User Documentation                          | <a href="#">QR-Code product handling video</a>   |
| Catalogues                                  | <a href="#">Catalogues in PDF-format</a>   |
| Brochures                                   | <a href="#">FL DRIVES EN</a><br><a href="#">MB DEVICE MANUF. EN</a><br><a href="#">FL DRIVES DE</a><br><a href="#">FL APPL INVERTER EN</a><br><a href="#">FL_BASE_STATION_EN</a><br><a href="#">FL ELEVATOR EN</a><br><a href="#">FL POWER SUPPLY EN</a><br><a href="#">FL 72H SAMPLE SER EN</a><br><a href="#">PO OMNIMATE EN</a><br><a href="#">PO OMNIMATE EN</a> |

Creation date March 2, 2023 10:34:25 AM CET

Catalogue status 18.02.2023 / We reserve the right to make technical changes.

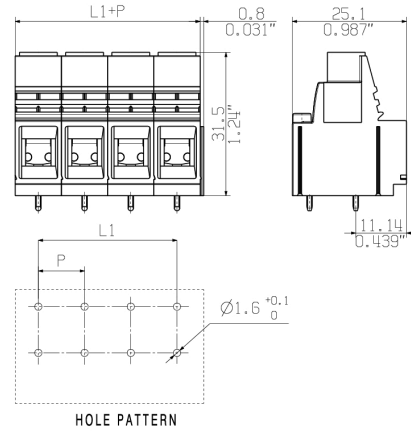
**LUP 10.16/05/90 3.2SN BK BX**

**Weidmüller Interface GmbH & Co. KG**  
 Klingenbergstraße 26  
 D-32758 Detmold  
 Germany

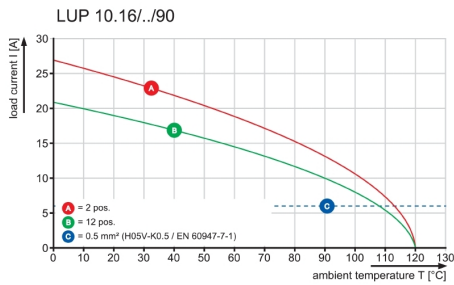
www.weidmueller.com

**Drawings**

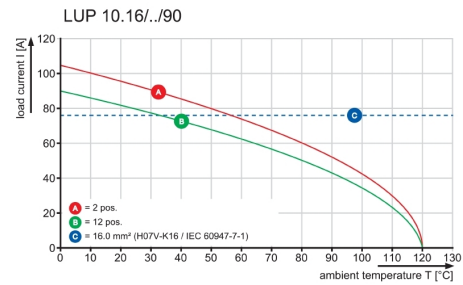
**Dimensional drawing**



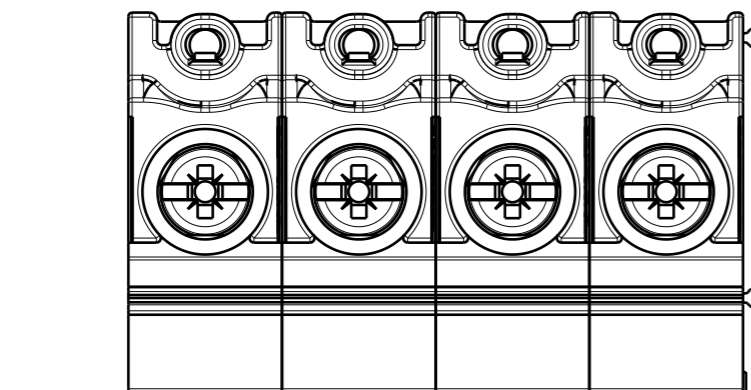
**Graph**



**Graph**



PS 2.0 / ORDER NO.  
031000 0000



|    |         |           |
|----|---------|-----------|
| 12 | 111,76  | 4,400     |
| 11 | 101,60  | 4,000     |
| 10 | 91,44   | 3,600     |
| 9  | 81,28   | 3,200     |
| 8  | 71,12   | 2,800     |
| 7  | 60,96   | 2,400     |
| 6  | 50,80   | 2,000     |
| 5  | 40,64   | 1,600     |
| 4  | 30,48   | 1,200     |
| 3  | 20,32   | 0,800     |
| 2  | 10,16   | 0,400     |
| n  | L1 [mm] | L1 [inch] |



l = Lötstiftlänge  
solder pin length

P = Raster/pitch  
n = Polzahl/no of poles

GENERAL TOLERANCE:  
DIN ISO 2768-mK

SHOWN : LUP 10.16/04

For the mounting of PCBs, it should be noted that the rated data given in the catalogue relates only to the connection elements. The necessary creepage and clearance paths must be observed in connection with the respective applicant in accordance to VDE 0110. The current-carrying capacity and pitch tolerance is to be determined according to DIN IEC 326 part 3 very fine.

Weidmüller connectors are tested to the DIN VDE 0627 standard, and are valid for its field of application. Provided that the connectors are used to the intended purpose, all requirements with respect to the occurring of electrical, mechanical, thermic and corrosive stress will be satisfied.

|                   |                  |   |                                   |                               |  |
|-------------------|------------------|---|-----------------------------------|-------------------------------|--|
| 102478            | First Issue Date | Prim PLM Part No.: 009275   |                                   | Prim ERP Part No.: 1226310000 |  |
|                   | 03.03.2018       |   |                                   |                               |  |
| Modification      |                  |   |                                   |                               |  |
|                   | Drawn            | Date  | Name                              | Drawing no. Issue no.         |  |
|                   | Responsible      | 03.03.2018  | Administrator                     | Sheet 01 of 02 sheets         |  |
|                   | Approved         | 22.11.2018  | Lang, Thomas                      |                               |  |
| Scale: 2:1        | Size: A3         | <b>LUP 10.16/././90...</b><br>LEITERPLATTENKLEMME<br>PCB TERMINAL |                                   |                               |  |
| Drawings Assembly |                  |   | Product file: 7233 LUP 10.16/12.7 |                               |  |

## Recommended wave soldering profiles

**Weidmüller Interface GmbH & Co. KG**  
 Klängenbergstraße 16  
 D-32758 Detmold  
 Germany  
 Fon: +49 5231 14-0  
 Fax: +49 5231 14-292083  
 www.weidmueller.com

### Single Wave:



### Double Wave:



### Wave soldering profiles

Wired connection elements should be processed in accordance with the DIN EN 61760-1 standard. We have included two recommendations for practical wave soldering profiles, with which Weidmüller PCB terminals and connectors are qualified.

When choosing a suitable profile for your application, the following factors also need to be considered:

- PCB thickness
- Proportion of Cu in the layers
- Single/double-sided assembly
- Product range
- Heating and cooling rates

The single and double wave profiles each indicate the recommended operating range, including the maximum soldering temperature of 260°C. In practice, the maximum soldering temperature is quite often well below the above maximum profile.