

**SAI-12L-VPFC-3A-M08L-PNP-15U05****Weidmüller Interface GmbH & Co. KG**

Klingenbergstraße 26

D-32758 Detmold

Germany

www.weidmueller.com



The new slim M8 line from Weidmüller. This range of products is characterised by the marking options at all connection positions. Even the 4-way distributor with 8-pole M12 has adequately large markers at all M8 connection positions. Furthermore, this distributor is shorter than many conventional M8 designs.

- Very narrow, short and flat M8 distributor.
- The range is supplied with 4 to 12 M8 connection positions, 3 or 4 poles.
- Hybrid variants of the M8 are also possible on request.
- The M8 line is equipped with transverse holes.

**General ordering data**

Version	SAI Passive, Sensor-actuator passive distributor, M8, Fixed cable version, 15 m, Yes
Order No.	<a href="#">1234890000</a>
Type	SAI-12L-VPFC-3A-M08L-PNP-15U05
GTIN (EAN)	4050118019513
Qty.	1 pc(s).

Creation date March 16, 2023 3:41:30 PM CET

Catalogue status 03.03.2023 / We reserve the right to make technical changes.

## SAI-12L-VPFC-3A-M08L-PNP-15U05

Weidmüller Interface GmbH &amp; Co. KG

Klingenbergstraße 26

D-32758 Detmold

Germany

www.weidmueller.com

## Technical data

## Dimensions and weights

Depth	18.2 mm	Depth (inches)	0.717 inch
Height	196 mm	Height (inches)	7.717 inch
Width	24 mm	Width (inches)	0.945 inch
Net weight	1,448 g		

## Temperatures

Operating temperature	-20 - 70°C	Operating temperature, min.	-20 °C
Operating temperature, max.	70 °C		

## Connection data

Distributor outlet	Fixed cable version
--------------------	---------------------

## Electrical data

Rated voltage, min.	15 V	Rated voltage, max.	30 V
Max. current-carrying capacity per slot	2 A	Total current	6 A

## General technical data

Protection degree	IP68	Number of poles	14
Number of contact sockets	12	Connection thread	M8
Pollution severity	3	LED	Yes

## Material data

Material O-Ring	FKM	Housing main material	PBT
Material of distributor	Plastic	Housing colour	black (similar to RAL 9005)
Contact material	CuZn	Contact surface	Gold-plated
Contact carrier material	PBT (UL 94 V0)		

## Technical data cable

Bending cycles	2 Mio	Bending radius, min., moving	10 x cable diameter
Halogen	No	Number of poles	14
O.D.	7.7 mm	Sheath material	PUR
Sheathing colour	black	Shielded	No
Wire cross section (Print/Online)	12 x 0.34 mm <sup>2</sup> + 2 x 0.75 mm <sup>2</sup>	Cable length	15 m
Suitable for cable carriers	Yes		

## Classifications

ETIM 6.0	EC002585	ETIM 7.0	EC002585
ETIM 8.0	EC002585	ECLASS 9.0	27-44-01-08
ECLASS 9.1	27-44-01-08	ECLASS 10.0	27-44-01-08
ECLASS 11.0	27-44-01-08	ECLASS 12.0	27-44-01-08

## Environmental Product Compliance

REACH SVHC	Lead 7439-92-1
SCIP	4060c755-8d0b-4d43-bdb3-4ffabe9d7497

Creation date March 16, 2023 3:41:30 PM CET

Catalogue status 03.03.2023 / We reserve the right to make technical changes.

2

**Data sheet****SAI-12L-VPFC-3A-M08L-PNP-15U05****Weidmüller Interface GmbH & Co. KG**  
Klingenbergstraße 26  
D-32758 Detmold  
Germany

www.weidmueller.com

**Technical data****Approvals**

Approvals



ROHS

Conform

**Downloads**

Engineering Data	<a href="#">CAD data – STEP</a>
Product Change Notification	<a href="#">20211208 Technical change to SAI M8 Line Distribution Boxes</a> <a href="#">20211208 Technische Änderung zu SAI M8 Line Verteiler</a>
Catalogues	<a href="#">Catalogues in PDF-format</a>
Brochures	<a href="#">FL FIELDWIRING EN</a>

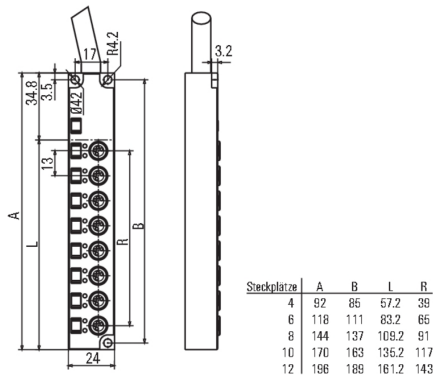
**SAI-12L-VPFC-3A-M08L-PNP-15U05**

**Weidmüller Interface GmbH & Co. KG**  
 Klingenbergstraße 26  
 D-32758 Detmold  
 Germany

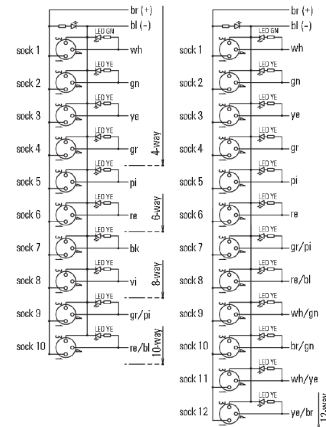
www.weidmueller.com

**Drawings**

**Dimensioned drawing**



**Wiring diagram**



**Pole scheme**

