

IE-C5DS4UG0005MBSMCS-E**Weidmüller Interface GmbH & Co. KG**

Klingenbergstraße 26

D-32758 Detmold

Germany

www.weidmueller.com



Assembled IE cables, PROFINET, Cat. 5, PUR, green

General ordering data

Version	System cable, M12 D-code - flange, M12 D-code - pin straight, Cat.5 (ISO/IEC 11801) / Cat.5e (TIA T568-B), PUR, 0.5 m
Order No.	1244130005
Type	IE-C5DS4UG0005MBSMCS-E
GTIN (EAN)	4050118045192
Qty.	1 Stück

Erstellungs-Datum May 16, 2023 8:48:29 AM CEST

Katalogstand 12.05.2023 / Technische Änderungen vorbehalten

IE-C5DS4UG0005MBSMCS-E

Weidmüller Interface GmbH & Co. KG
 Klingenbergstraße 26
 D-32758 Detmold
 Germany

www.weidmueller.com

Technische Daten

Dimensions and weights

Length	0.5 m	Length (inches)	19.685 inch
Net weight	59 g		

Temperatures

Storage temperature	-50 °C...70 °C	Operating temperature	-40 °C...70 °C
Operating temperature, min.	-40 °C	Operating temperature, max.	70 °C
Installation temperature	-20 °C...60 °C		

Cable structure

Cross-section	4*AWG 22/7 - 0.32 mm ²	Insulation cross-section	1.5 mm
Material sheath	PUR	Sheath diameter, max.	6.7 mm
Sheathing colour	green (RAL 6018)	Shielding	360°; shield contact

Electrical properties of cable

Category	Cat.5 (ISO/IEC 11801) / Cat.5e (TIA T568-B)
----------	--

Mechanical and material properties of cable

Halogen	halogen-free, according to IEC 60754-2	Min. bending radius, once only	5 x cable diameter
Min. bending radius, repetitive	15 x cable diameter	Resistance to spread of flame	Yes

Plug

Plug	Cable side	left
	Version of contact face	M12
	Coding of plug	D
	Protection degree (IP)	IP67
	Gender of contact	female contact
	Outlet direction	straight
	Version of connector	flange
	Housing main material	Plastic
	Status indicator available	No
	Shielding available	Yes
	Cable side	right
	Version of contact face	M12
	Coding of plug	D
	Protection degree (IP)	IP67
	Gender of contact	male contact
	Outlet direction	straight
	Version of connector	plug
	Housing main material	Plastic
	Status indicator available	No
	Shielding available	Yes
Plug left	M12, D, IP67, female contact, straight, flange, Plastic, shielded	
Plug right	M12, D, IP67, male contact, straight, plug, Plastic, shielded	

IE-C5DS4UG0005MBSMCS-E

Weidmüller Interface GmbH & Co. KG
 Klingenbergstraße 26
 D-32758 Detmold
 Germany

www.weidmueller.com

Technische Daten

Plug, left

Connector left	Plug left	M12, D, IP67, female contact, straight, flange, Plastic, shielded
	M12 D-code – flange	

Plug, right

Connector right	Plug right	M12, D, IP67, male contact, straight, plug, Plastic, shielded
	M12 D-code – pin straight	

Classifications

ETIM 6.0	EC002599	ETIM 7.0	EC002599
ETIM 8.0	EC002599	ECLASS 9.0	27-06-03-08
ECLASS 9.1	27-06-03-08	ECLASS 10.0	27-06-03-08
ECLASS 11.0	27-06-03-08	ECLASS 12.0	27-06-03-08

Environmental Product Compliance

REACH SVHC	Lead 7439-92-1
SCIP	67cf1078-beca-4687-860b-dc475a6ec24a

Approvals

ROHS	Conform
------	---------

Downloads

Approval/Certificate/Document of Conformity	PROFINET Manufacturer's Declaration
Engineering Data	CAD data – STEP
User Documentation	MAN IE GUIDE DE MAN IE GUIDE EN
Catalogues	Catalogues in PDF-format
Brochures	FL FIELDWIRING EN PI PROFINET CABLING EN PI PROFINET CABLING EN

IE-C5DS4UG0005MBSMCS-E

Weidmüller Interface GmbH & Co. KG
 Klingenbergstraße 26
 D-32758 Detmold
 Germany

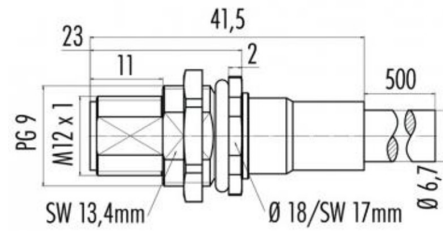
www.weidmueller.com

Zeichnungen

Wiring diagram

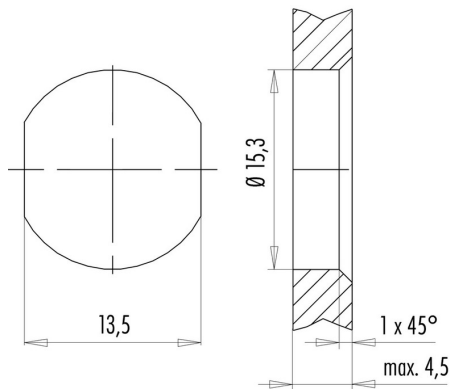
M12		M12
1	yellow	1
2	white	2
3	orange	3
4	blue	4

Dimensioned drawing



Hexagon nut enclosed loosely

Dimensioned drawing



with through hole