

**IE-C5DS4UG0050MBSMCS-E****Weidmüller Interface GmbH & Co. KG**

Klingenbergstraße 26

D-32758 Detmold

Germany

www.weidmueller.com



Assembled IE cables, PROFINET, Cat. 5, PUR, green

**General ordering data**

Version	System cable, M12 D-code - flange, M12 D-code - pin straight, Cat.5 (ISO/IEC 11801) / Cat.5e (TIA T568-B), PUR, 5 m
Order No.	<a href="#">1244130050</a>
Type	IE-C5DS4UG0050MBSMCS-E
GTIN (EAN)	4050118045543
Qty.	1 pc(s).

Creation date March 13, 2023 12:43:35 PM CET

Catalogue status 03.03.2023 / We reserve the right to make technical changes.

**IE-C5DS4UG0050MBSMCS-E****Weidmüller Interface GmbH & Co. KG**

Klingenbergstraße 26

D-32758 Detmold

Germany

www.weidmueller.com

**Technical data****Dimensions and weights**

Length	5 m	Length (inches)	196.85 inch
Net weight	346 g		

**Temperatures**

Storage temperature	-50 °C...70 °C	Operating temperature	-40 °C...70 °C
Operating temperature, min.	-40 °C	Operating temperature, max.	70 °C
Installation temperature	-20 °C...60 °C		

**Cable structure**

Cross-section	4*AWG 22/7 - 0.32 mm <sup>2</sup>	Insulation cross-section	1.5 mm
Material sheath	PUR	Sheath diameter, max.	6.7 mm
Sheathing colour	green (RAL 6018)	Shielding	360°; shield contact

**Electrical properties of cable**

Category	Cat.5 (ISO/IEC 11801) / Cat.5e (TIA T568-B)
----------	--

**Mechanical and material properties of cable**

Halogen	halogen-free, according to IEC 60754-2	Min. bending radius, once only	5 x cable diameter
Min. bending radius, repetitive	15 x cable diameter	Resistance to spread of flame	Yes

**Plug**

Plug left	M12, D, IP67, female contact, straight, flange, Plastic, shielded	Plug right	M12, D, IP67, male contact, straight, plug, Plastic, shielded
-----------	---	------------	---

**Plug, left**

Connector left	M12 D-code – flange
----------------	---------------------

**Plug, right**

Connector right	M12 D-code – pin straight
-----------------	---------------------------

**Classifications**

ETIM 6.0	EC002599	ETIM 7.0	EC002599
ETIM 8.0	EC002599	ECLASS 9.0	27-06-03-08
ECLASS 9.1	27-06-03-08	ECLASS 10.0	27-06-03-08
ECLASS 11.0	27-06-03-08	ECLASS 12.0	27-06-03-08

**Environmental Product Compliance**

REACH SVHC	Lead 7439-92-1
SCIP	67cf1078-beca-4687-860b-dc475a6ec24a

**Approvals**

ROHS	Conform
------	---------

Creation date March 13, 2023 12:43:35 PM CET

Catalogue status 03.03.2023 / We reserve the right to make technical changes.

**IE-C5DS4UG0050MBSMCS-E****Weidmüller Interface GmbH & Co. KG**

Klingenbergstraße 26

D-32758 Detmold

Germany

[www.weidmueller.com](http://www.weidmueller.com)**Technical data****Downloads**

---

Approval/Certificate/Document of Conformity	<a href="#">PROFINET Manufacturer's Declaration</a>
Engineering Data	<a href="#">CAD data – STEP</a>
User Documentation	<a href="#">MAN IE GUIDE DE</a> <a href="#">MAN IE GUIDE EN</a>
Catalogues	<a href="#">Catalogues in PDF-format</a>
Brochures	<a href="#">FL FIELDWIRING EN</a> <a href="#">PI PROFINET CABLING EN</a> <a href="#">PI PROFINET CABLING EN</a>

---

**IE-C5DS4UG0050MBSMCS-E**

**Weidmüller Interface GmbH & Co. KG**  
 Klingenbergstraße 26  
 D-32758 Detmold  
 Germany

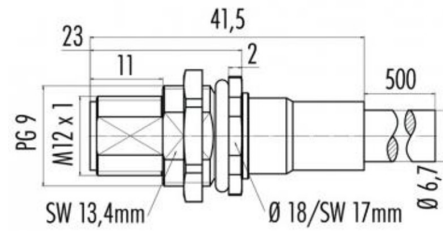
www.weidmueller.com

**Drawings**

**Wiring diagram**

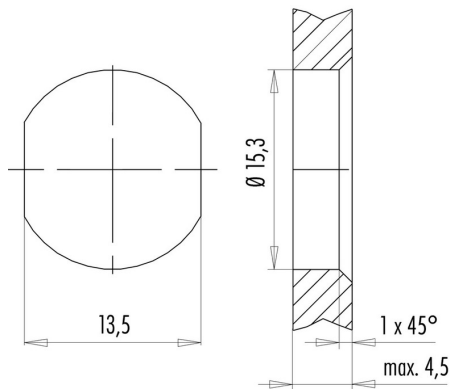
M12		M12
1	yellow	1
2	white	2
3	orange	3
4	blue	4

**Dimensioned drawing**



Hexagon nut enclosed loosely

**Dimensioned drawing**



with through hole