

## IE-C5DS4UG0070MBSMCS-E

**Weidmüller Interface GmbH & Co. KG**  
Klingenbergstraße 26  
D-32758 Detmold  
Germany

[www.weidmueller.com](http://www.weidmueller.com)



Assembled IE cables, PROFINET, Cat. 5, PUR, green

### General ordering data

Version	System cable, M12 D-code - flange, M12 D-code - pin straight, Cat.5 (ISO/IEC 11801) / Cat.5e (TIA T568-B), 7 m
Order No.	<a href="#">1244130070</a>
Type	IE-C5DS4UG0070MBSMCS-E
GTIN (EAN)	4050118624830
Qty.	1 Stück

Erstellungs-Datum May 24, 2023 2:16:38 PM CEST

Katalogstand 12.05.2023 / Technische Änderungen vorbehalten

## IE-C5DS4UG0070MBSMCS-E

**Weidmüller Interface GmbH & Co. KG**  
 Klingenbergstraße 26  
 D-32758 Detmold  
 Germany

www.weidmueller.com

## Technische Daten

### Dimensions and weights

Length	7 m	Length (inches)	275.591 inch
Net weight	486 g		

### Cable structure

Cross-section	4*AWG 22/7 - 0.32 mm <sup>2</sup>	Sheathing colour	green (RAL 6018)
Shielding	360°; shield contact		

### Electrical properties of cable

Category	Cat.5 (ISO/IEC 11801) / Cat.5e (TIA T568-B)
----------	--

### Mechanical and material properties of cable

Halogen	halogen-free, according to IEC 60754-2	Resistance to spread of flame	Yes
---------	--	-------------------------------	-----

### Plug

Plug	Cable side	left
	Version of contact face	M12
	Coding of plug	D
	Protection degree (IP)	IP67
	Gender of contact	female contact
	Outlet direction	straight
	Version of connector	flange
	Housing main material	Plastic
	Status indicator available	No
	Shielding available	Yes
	Cable side	right
	Version of contact face	M12
	Coding of plug	D
	Protection degree (IP)	IP67
	Gender of contact	male contact
	Outlet direction	straight
	Version of connector	plug
	Housing main material	Plastic
	Status indicator available	No
	Shielding available	Yes
Plug left	M12, D, IP67, female contact, straight, flange, Plastic, shielded	
Plug right	M12, D, IP67, male contact, straight, plug, Plastic, shielded	

### Plug, left

Connector left	Plug left	M12, D, IP67, female contact, straight, flange, Plastic, shielded
	M12 D-code - flange	

### Plug, right

Connector right	Plug right	M12, D, IP67, male contact, straight, plug, Plastic, shielded
	M12 D-code - pin straight	

Erstellungs-Datum May 24, 2023 2:16:38 PM CEST

Katalogstand 12.05.2023 / Technische Änderungen vorbehalten

## IE-C5DS4UG0070MBSMCS-E

**Weidmüller Interface GmbH & Co. KG**  
Klingenbergstraße 26  
D-32758 Detmold  
Germany

[www.weidmueller.com](http://www.weidmueller.com)

## Technische Daten

### Classifications

ETIM 6.0	EC002599	ETIM 7.0	EC002599
ETIM 8.0	EC002599	ECLASS 9.0	27-06-03-08
ECLASS 9.1	27-06-03-08	ECLASS 10.0	27-06-03-08
ECLASS 11.0	27-06-03-08	ECLASS 12.0	27-06-03-08

### Environmental Product Compliance

REACH SVHC	Lead 7439-92-1
SCIP	67cf1078-beca-4687-860b-dc475a6ec24a

### Approvals

ROHS	Conform
------	---------

### Downloads

Engineering Data	<a href="#">CAD data – STEP</a>
Catalogues	<a href="#">Catalogues in PDF-format</a>

## IE-C5DS4UG0070MBSMCS-E

**Weidmüller Interface GmbH & Co. KG**  
 Klingenbergstraße 26  
 D-32758 Detmold  
 Germany

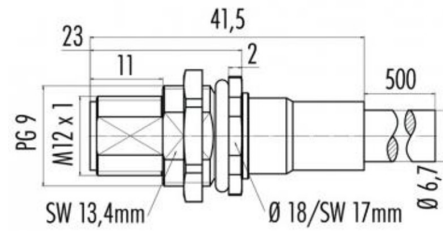
www.weidmueller.com

# Zeichnungen

### Wiring diagram

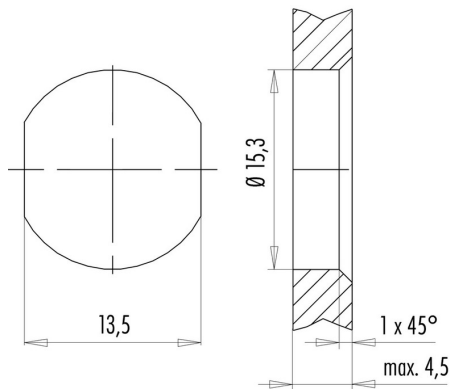
M12		M12
1	yellow	1
2	white	2
3	orange	3
4	blue	4

### Dimensioned drawing



Hexagon nut enclosed loosely

### Dimensioned drawing



with through hole