

CH20M67 B FE BK/OR 2010

Weidmüller Interfaces GmbH & Co. KG

Postfach 3030

32760 Detmold

Tel. +49 5231 14-0

Fax. +49 5231 14-2083

info@weidmueller.com

www.weidmueller.com

Product image

**Superior efficiency, flexibility and design - the "standard tailor-made fit"**

When selecting a housing design, flexibility is a key factor. Other important criteria are: scalability, customised design, innovative functionality and cost efficiency. You need a choice which offers the maximum performance with the minimum overhead.

The CH20M67 modular electronics housings come in XXL size and are an integrated range. It is suited for those electronics applications that require lots of space, such as compact controllers and power supplies.

The entire system is characterized by excellence: outstanding scalability and flexibility, a high security level, innovative application functionality and a variety of practical details.

- **Quicker installation** with features such as "Wire ready" the universal multi-tool screw head
- **User-friendly operations:** with clear and permanent labelling and extra marking possibilities, integrated release clip or transparent cover
- **Maximum interference immunity** with EMC-compliant construction featuring deeply overlapping module joint edges made from high-performance plastic
- **High operational reliability** with the unique Auto-Set coding system and featuring double-sided touch protection on the pin header and socket blocks

CH20M - a compact name for the most flexible system available on the market. It doesn't just stand for "Component Housing IP20 Modular".

CH20M also stands for efficiency and innovation throughout design, production and use.

General ordering data

Version	Modular housing, OMNIMATE Housing - series CH20M black, Width: 67.5 mm
Order No.	1247250000
Type	CH20M67 B FE BK/OR 2010
GTIN (EAN)	4050118038125
Qty.	4 Stück

CH20M67 B FE BK/OR 2010

Weidmüller Interfaces GmbH & Co. KG

Postfach 3030

32760 Detmold

Tel. +49 5231 14-0

Fax. +49 5231 14-2083

info@weidmueller.com

www.weidmueller.com

Technische Daten

Dimensions and weights

Depth	107.4 mm	Depth (inches)	4.228 inch
Height	109.3 mm	Height (inches)	4.303 inch
Width	67.5 mm	Width (inches)	2.657 inch
Net weight	43.3 g		

Temperatures

Operating temperature range	-40 °C...120 °C	Operating temperature, min.	-40 °C
Operating temperature, max.	120 °C	Humidity	5 - 93% rel. humidity, Tu = 40°C, no condensation

Component Properties

Color of clip-on foot	orange	Cut out in clip-on foot area as preparation for	FE contact, contact not included!
Number of connection levels, max.	3		

Mechanical tests

According to Standard	DIN EN 61373:1999 (shock and vibration)		
Test conditions	three housings installed in a row, 200g additional weight per PCB, three PCB mounted		
Proved axles	X, Y, Z		
Shock test	General test advices	All mechanical tests were tested on exemplary setup, or in view of depending regulation. The specified results do not replace approval relevant tests. They are just orientation values.	
	Test category	1	
	Number of shocks per axle	3 in positive and negative direction	
	Shock duration	30 ms	
	Acceleration horizontal	30 m/s ²	
	Acceleration vertical	30 m/s ²	
Vibration test	Acceleration longitudinal	50 m/s ²	
	Test duration	5 hours per axle	
	Test category	1B	
	Effective acceleration	7.9 m/s ²	

Thermal tests

Thermal tests	General test advices	All thermal tests were tested on exemplary setup, or in view of depending regulation. The specified results do not replace approval relevant tests. They are just orientation values.	
	Test conditions	seven housings installed in a row - no spacing, three PCB per housing, two connection level - twelve connectors per housing	
	Test axles	horizontal, More on request	
	Ambient temperature	80 °C	
	Power dissipation, max.	5.7 W	
	Ambient temperature	60 °C	
	Power dissipation, max.	8.1 W	
	Ambient temperature	40 °C	
	Power dissipation, max.	10.8 W	
	Ambient temperature	20 °C	
	Power dissipation, max.	13.6 W	

CH20M67 B FE BK/OR 2010

Weidmüller Interfaces GmbH & Co. KG

Postfach 3030

32760 Detmold

Tel. +49 5231 14-0

Fax. +49 5231 14-2083

info@weidmueller.com

www.weidmueller.com
3

Technische Daten

Assembly properties

Number of slots for female connectors of the mounted assembly, max.	18	Number of PCBs, max.	3
Number of connection levels, max.	3	Number of poles, max.	72
Height of components on the PCB (usage of 1 PCB), max.	61.1 mm	Height of components on the PCB (usage of 2 PCB), max.	57.2 mm
Height of components on the PCB (usage of 3 PCB), max.	34.7 mm	Type of assembly of the PCB	double-sided

Design - IN requirements

PCB thickness	1.6 mm	Tolerance for the PCB shape	±0.1 mm
Tolerance of circuit board thickness	±0.15 mm		

Individualization options

Customer specific labelling possible	Yes	Customer specific order process	See guideline under downloads
Processing possibilities	Laser processing		

General data

Colour	black	Colour chart (similar)	RAL 9011
Encapsulation option	No	Protection degree	IP20 in installed state
Rail	TS 35		

Material data

Comparative Tracking Index (CTI)	600 ≤ CTI	Insulating material	PA 66 GF 30
Insulating material group	I	UL 94 flammability rating	V-0

Classifications

ETIM 6.0	EC001031	ETIM 7.0	EC001031
ETIM 8.0	EC001031	ECLASS 9.0	27-18-27-90
ECLASS 10.0	27-18-27-92	ECLASS 11.0	27-18-27-92
ECLASS 12.0	27-18-27-92		

Important note

Product information	Circuit board contour, restricted zones, and other information for the design in of the circuit board can be found in the category connection technology under the corresponding male headers in the downloads.
---------------------	---

Approvals

ROHS	Conform
------	---------

CH20M67 B FE BK/OR 2010

Weidmüller Interfaces GmbH & Co. KG

Postfach 3030

32760 Detmold

Tel. +49 5231 14-0

Fax. +49 5231 14-2083

Technische Daten

info@weidmueller.com

Downloads

Engineering Data	CAD data – STEP CAD data – PCB_position_70144_LP-POSITION_67MM CAD data – Pin_header_pin_length_CH20M_A_OV_PCB-SHL_70315	www.weidmueller.com
Engineering Data	EPLAN	
User Documentation	Guideline customerspecific housings Guideline kundenspezifische Gehäuse	
Catalogues	Catalogues in PDF-format	
Brochures	FL ANALO.SIGN.CONV. EN MB DEVICE MANUF. EN FL MACHINE SAFETY EN FL 72H SAMPLE SER EN PO OMNIMATE EN PO OMNIMATE EN	

CH20M67 B FE BK/OR 2010

Weidmüller Interfaces GmbH & Co. KG

Postfach 3030

32760 Detmold

Tel. +49 5231 14-0

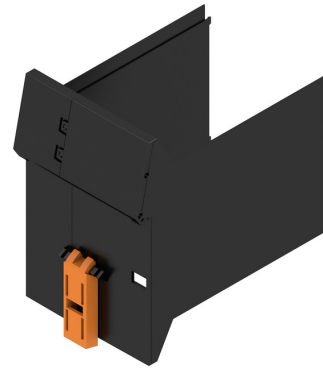
Fax. +49 5231 14-2083

Zeichnungen

info@weidmueller.com

Product image

Product benefits



Base element including FE cut-out

Dimensioned drawing

