

IE-CD-VAPM24V-Y-MA**Weidmüller Interface GmbH & Co. KG**

Klingenbergstraße 26

D-32758 Detmold

Germany

www.weidmueller.com



Y-distributor / connection coupling, FreeCon for plug-in
PushPull Power connector to PROFINET specification,
metal

General ordering data

Version	Y-distributor, FreeCon, Supply, IP65
Order No.	1297010000
Type	IE-CD-VAPM24V-Y-MA
GTIN (EAN)	4050118094589
Qty.	1 Stück

Erstellungs-Datum May 30, 2023 11:44:08 AM CEST

Katalogstand 26.05.2023 / Technische Änderungen vorbehalten

IE-CD-VAPM24V-Y-MA

Weidmüller Interface GmbH & Co. KG
 Klingenbergstraße 26
 D-32758 Detmold
 Germany

www.weidmueller.com

Technische Daten

Dimensions and weights

Net weight 716.82 g

Temperatures

Operating temperature	-40 °C...70 °C	Operating temperature, min.	-40 °C
Operating temperature, max.	70 °C		

Classifications

ETIM 6.0	EC001264	ETIM 7.0	EC001264
ETIM 8.0	EC001264	ECLASS 9.0	19-17-01-23
ECLASS 9.1	19-17-01-25	ECLASS 10.0	19-17-01-23
ECLASS 11.0	19-17-01-23	ECLASS 12.0	19-17-01-23

Environmental Product Compliance

REACH SVHC	Lead 7439-92-1 6,6'-di-tert-butyl-2,2'-methylenedi-p-cresol 119-47-1
SCIP	e5bbf197-73b5-420b-90c0-0173b7b3b6b7

Approvals

Approvals



ROHS	Conform
UL File Number Search	UL Website
Certificate no. (cULus)	E316369

Downloads

Approval/Certificate/Document of Conformity	PROFINET Manufacturer's Declaration
Engineering Data	CAD data – STEP
User Documentation	MAN IE GUIDE DE MAN IE GUIDE EN
Catalogues	Catalogues in PDF-format
Brochures	MB FREECONCONTACT EN FL FIELDWIRING EN PI PROFINET CABLING EN PI PROFINET CABLING EN

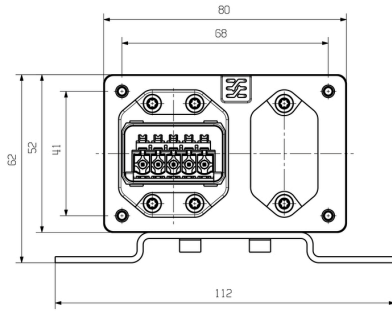
IE-CD-VAPM24V-Y-MA

Weidmüller Interface GmbH & Co. KG
Klingenbergstraße 26
D-32758 Detmold
Germany

www.weidmueller.com

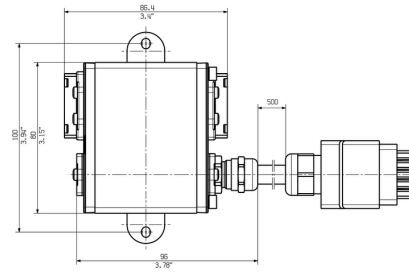
Zeichnungen

Dimensioned drawing



Front view

Dimensioned drawing



Overhead view