

IE-AD-BHS-V14M-RJA**Weidmüller Interface GmbH & Co. KG**

Klingenbergstraße 26

D-32758 Detmold

Germany

www.weidmueller.com



PushPull plug-in connector according to IEC
61076-3-117 ver.14 (PROFINET), metal, empty housing

General ordering data

Version	Adapter
Order No.	1302000000
Type	IE-AD-BHS-V14M-RJA
GTIN (EAN)	4050118099638
Qty.	1 pc(s).

Creation date March 7, 2023 8:22:16 PM CET

Catalogue status 03.03.2023 / We reserve the right to make technical changes.

IE-AD-BHS-V14M-RJA

Weidmüller Interface GmbH & Co. KG

Klingenbergstraße 26

D-32758 Detmold

Germany

www.weidmueller.com

Technical data

Dimensions and weights

Depth	25.7 mm	Depth (inches)	1.012 inch
Height	42 mm	Height (inches)	1.654 inch
Width	24.2 mm	Width (inches)	0.953 inch
Net weight	61.533 g		

Temperatures

Operating temperature	-40 °C...70 °C	Operating temperature, min.	-40 °C
Operating temperature, max.	70 °C		

General data

Colour	Miscellaneous	Housing main material	Zinc diecast
Protection degree	IP67	Type of mounting	2 screws, M3 (not included)

General standards

Certificate no. (cULus)	E316369
-------------------------	---------

Classifications

ETIM 6.0	EC001121	ETIM 7.0	EC001121
ETIM 8.0	EC001121	ECLASS 9.0	27-44-03-90
ECLASS 9.1	27-44-03-90	ECLASS 10.0	27-44-03-90
ECLASS 11.0	27-44-03-90	ECLASS 12.0	27-44-03-90

Approvals

Approvals



ROHS	Conform
UL File Number Search	UL Website
Certificate no. (cULus)	E316369

Downloads

Approval/Certificate/Document of Conformity	PROFINET Manufacturer's Declaration
Engineering Data	CAD data – STEP
User Documentation	MAN IE GUIDE DE MAN IE GUIDE EN Designation key / Type key
Catalogues	Catalogues in PDF-format
Brochures	FL FIELDWIRING EN PI PROFINET CABLING EN PI PROFINET CABLING EN

Data sheet

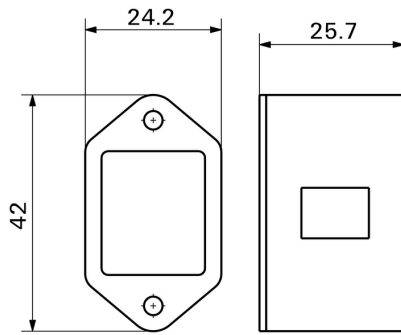
IE-AD-BHS-V14M-RJA

Weidmüller Interface GmbH & Co. KG
Klingenbergstraße 26
D-32758 Detmold
Germany

www.weidmueller.com

Drawings

Installation cut-out



Dimensioned drawing

