

SCS 24VDC P2SIL3DSES

Weidmüller Interfaces GmbH & Co. KG

Postfach 3030

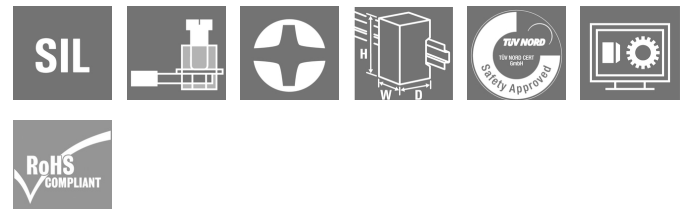
32760 Detmold

Tel. +49 5231 14-0

Fax. +49 5231 14-2083

info@weidmueller.com

www.weidmueller.com



For areas of process automation that require a functionally safe switch-off or switch-on. The module complies with SIL3 and meets the requirements of EN 61508.

- TUV certified and with "Approved Safety Function"
- Designed for "energized to safe" and "de-energized to safe" functions
- All-pole switch-off possible
- Test inputs for testing the relay contacts
- Externally accessible fuse

General ordering data

Version	SAFESERIES, Safety relay, 24 V DC -15 / +20%, 35 mA , Max. switching current, internal fuse : 5 A (refer to derating curve), SIL 3, DIN EN 61508
Order No.	1319270000
Type	SCS 24VDC P2SIL3DSES
GTIN (EAN)	4050118125115
Qty.	1 Stück

SCS 24VDC P2SIL3DSES

Weidmüller Interfaces GmbH & Co. KG

Postfach 3030

32760 Detmold

Tel. +49 5231 14-0

Fax. +49 5231 14-2083

info@weidmueller.com

www.weidmueller.com

Technische Daten

Dimensions and weights

Depth	114.1 mm	Depth (inches)	4.492 inch
Height	117.3 mm	Height (inches)	4.618 inch
Width	22.5 mm	Width (inches)	0.886 inch
Net weight	200 g		

Temperatures

Storage temperature	-40 °C...85 °C	Operating temperature	-25 °C...50 °C
Operating temperature, min.	-25 °C	Operating temperature, max.	50 °C
Humidity	40 °C / 93 % rel. humidity, no condensation		

Input (safety circuit)

Connection designation (safety circuit)	A1, A2	Rated control voltage	24 V DC -15 / +20%
Current consumption	45 mA	Guaranteed current consumption of 24 VDC -10%	35 mA
Inrush current	≤ 80 mA / 40 ms	Pull-in/drop-out voltage DC coil	17 V / 12.5 V (DTS)
Status indicator	LED yellow	Protective circuit	Rectifier

Test inputs (safety circuit)

Connection designation (safety test)	X1, X2, X3	Rated control voltage	24 V DC
Number of test inputs	2	Status indicator	LED red flashing: test input is triggered

Output (safety circuit)

Connection designation (safety output)	F, 13, 14, 23, 24	Contact design	1 x de-energised to safe (NO contact), 1 x energised to safe (NO contact)
Contact base material	AgNi 0.15 gold flashed	Max. permitted switching voltage	250 V AC
Max. permitted switching current	5 A	Max. switching current, internal fuse	5 A (refer to derating curve)
Max. switching current, external fuse	5 A (refer to derating curve)	Max. switching capacity	1250 VA
Internal fuse	5 A time-lag	External back-up fuse	5 A time-lag
Short circuit resistance	No	Switch-on time	< 5.5 ms (DTS), < 5 ms (ETS)
Switch-off time	< 4 ms (DTS), < 4 ms (ETS)	Min. switching capacity	10 mA @ 12 V

Safety-related basic specifications

Device type	A	Hardware fault tolerance (HFT)	1
Safety category	SIL 3	Safety standard	DIN EN 61508

General data

Operating altitude	≤ 2000 m, above sea level	Rail	TS 35
Colour	black, yellow		

SCS 24VDC P2SIL3DSES

Weidmüller Interfaces GmbH & Co. KG

Postfach 3030

32760 Detmold

Tel. +49 5231 14-0

Fax. +49 5231 14-2083

info@weidmueller.com

Technische Daten

Insulation coordination

Rated voltage	300 V	Pollution severity	www.weidmueller.com
Surge voltage category	III	Clearance and creepage distances for control side - load side	≥ 5.5 mm
Dielectric strength for control side - load side	4 kV _{eff} / 1 min	Dielectric strength to mounting rail	4 kV _{eff} / 1 Min.
Impulse withstand voltage	6 kV (1.2/50 μs)	Protection degree	IP20

Further details of approvals / standards

Standards	EN 61000, EN 61326-3-2
-----------	------------------------

Connection data

Wire connection method	Screw connection	Stripping length, rated connection	8 mm
Tightening torque, min.	0.4 Nm	Tightening torque, max.	0.6 Nm
Clamping range, rated connection	1.5 mm ²	Clamping range, min.	0.13 mm ²
Clamping range, max.	2.5 mm ²	Wire connection cross section AWG, min.	AWG 26
Wire connection cross section AWG, max.	AWG 12	Wire cross-section, solid, min.	0.2 mm ²
Wire cross-section, solid, max.	2.5 mm ²	Wire connection cross section, finely stranded, min.	0.2 mm ²
Wire connection cross section, finely stranded, max.	2.5 mm ²	Wire connection cross-section, finely stranded with wire-end ferrules DIN 46228/4, min.	0.2 mm ²
Wire connection cross-section, finely stranded with wire-end ferrules DIN 46228/4, max.	2.5 mm ²	Conductor cross-section, flexible, AEH (DIN 46228-1), min.	0.2 mm ²
Conductor cross-section, flexible, AEH (DIN 46228-1), max.	2.5 mm ²	Blade size	size PHO

Classifications

ETIM 6.0	EC001449	ETIM 7.0	EC001449
ETIM 8.0	EC001449	ECLASS 9.0	27-37-18-19
ECLASS 9.1	27-37-18-19	ECLASS 10.0	27-37-18-19
ECLASS 11.0	27-37-18-19	ECLASS 12.0	27-37-18-19

Environmental Product Compliance

REACH SVHC	Lead 7439-92-1
SCIP	807f1906-ce90-4f93-8801-4b128b343e6b

Approvals

Approvals



ROHS	Conform
------	---------

SCS 24VDC P2SIL3DSES

Weidmüller Interfaces GmbH & Co. KG

Postfach 3030

32760 Detmold

Tel. +49 5231 14-0

Fax. +49 5231 14-2083

info@weidmueller.com

Technische Daten

Downloads

Approval/Certificate/Document of Conformity	TUV Safety Approved certificate EU Konformitätserklärung / EU Declaration of Conformity	www.weidmueller.com
Engineering Data	CAD data – STEP	
Engineering Data	WSCAD, EPLAN	
User Documentation	Beipackzettel / Package Insert – multilingual Safety manual – English Sicherheitshandbuch – Deutsch	
Catalogues	Catalogues in PDF-format	
Brochures		

SCS 24VDC P2SIL3DSES

Weidmüller Interfaces GmbH & Co. KG

Postfach 3030

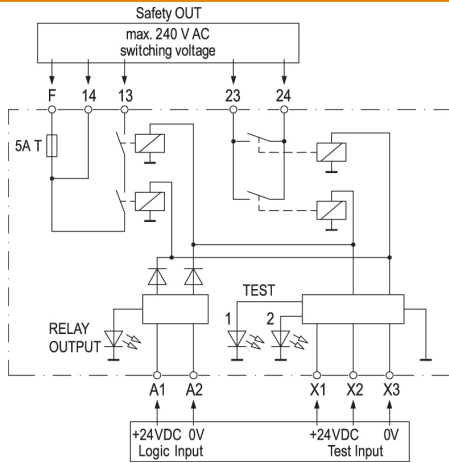
32760 Detmold

Tel. +49 5231 14-0

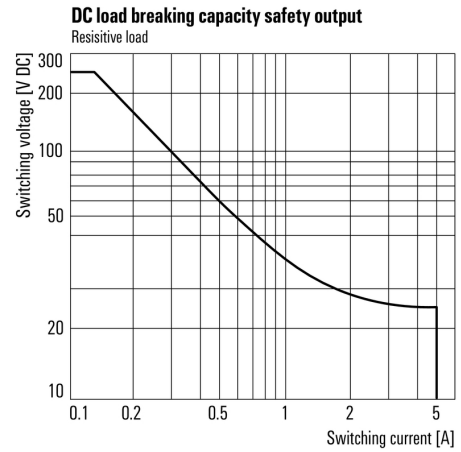
Fax. +49 5231 14-2083

Zeichnungen

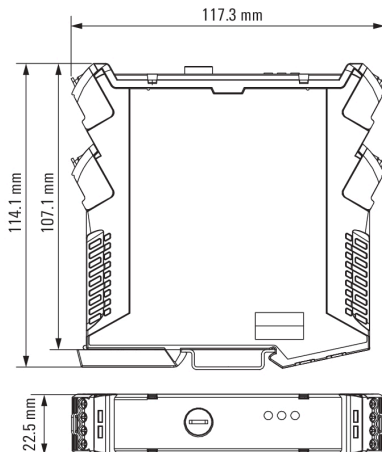
Wiring diagram



DC load limit curve info@weidmueller.com



Dimensioned drawing



SCS 24VDC P2SIL3DSES

Weidmüller Interfaces GmbH & Co. KG

Postfach 3030

32760 Detmold

Tel. +49 5231 14-0

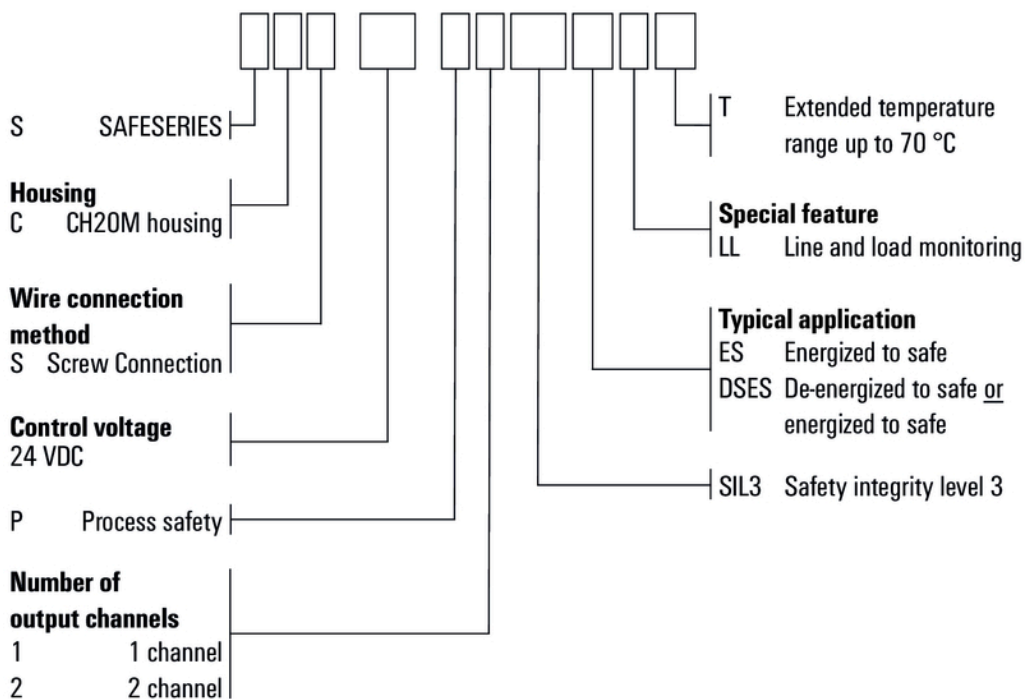
Fax. +49 5231 14-2083

info@weidmueller.com

www.weidmueller.com

Zeichnungen

Miscellaneous



Type codes