

## LXXX 15.00/06/90FL 4.5SN BK BX

**Weidmüller Interface GmbH & Co. KG**  
Klingenbergstraße 26  
D-32758 Detmold  
Germany

www.weidmueller.com

### Product image



The high-current PCB connection for more power on board: 150 A / 1000 V with wires up to 50 mm<sup>2</sup>, transmitted right to the PCB!

The LXXX 15.0 – with its proven steel clamping-yoke technology in a compact standard housing – integrates the latest market requirements for security, power density and miniaturization in power electronics. It connects these requirements into an efficient solution for the entire value-creation chain – including development, production, installation and maintenance.

The function and form of the application's connection method plays a key role. It influences the application's design, reliability, usability and costs. With the Substitution of

For example, with the replacement of complex constructions involving bolts or bus bars, the PCB can be transformed into a system platform that is both consistent and sustainable into the future – even for high-current applications.

The LXXX 15.0 reduces size and complexity while at the same time improving application integration. In so doing, it fulfils the requirements of power electronics better than the established mechanisms and connection elements.

### General ordering data

|              |  |
|--------------|--|
| Version      | Printed circuit board terminals, 15.00 mm, Number of poles: 6, 90°, Solder pin length (l): 4.5 mm, tinned, black, Clamping yoke connection, Clamping range, max.: 50 mm <sup>2</sup> , Box |
| Order No.    | <a href="#">1386480000</a>   |
| Type         | LXXX 15.00/06/90FL 4.5SN BK BX   |
| GTIN (EAN)   | 4050118187038  |
| Qty.         | 12 pc(s).  |
| Product data | IEC: 1000 V / 150 A / 0.5 - 50 mm <sup>2</sup><br>UL: 600 V / 126 A / AWG 20 - AWG 1   |
| Packaging    | Box  |

**LXXX 15.00/06/90FL 4.5SN BK BX**
**Weidmüller Interface GmbH & Co. KG**

Klingenbergstraße 26

D-32758 Detmold

Germany

www.weidmueller.com

**Technical data**
**Dimensions and weights**

|                          |            |                 |            |
|--------------------------|------------|-----------------|------------|
| Depth                    | 31 mm      | Depth (inches)  | 1.22 inch  |
| Height                   | 56 mm      | Height (inches) | 2.205 inch |
| Height of lowest version | 51.5 mm    | Width           | 105.5 mm   |
| Width (inches)           | 4.154 inch | Net weight      | 178.67 g   |

**Temperatures**

|                             |        |                             |        |
|-----------------------------|--------|-----------------------------|--------|
| Operating temperature, min. | -50 °C | Operating temperature, max. | 120 °C |
|-----------------------------|--------|-----------------------------|--------|

**System parameters**

|                                 |                              |  |                          |
|---------------------------------|------------------------------|--|--------------------------|
| Product family                  | OMNIMATE Power - series LXXX | Wire connection method                     | Clamping yoke connection |
| Mounting onto the PCB           | THT solder connection        | Conductor outlet direction                 | 90°                      |
| Pitch in mm (P)                 | 15 mm                        | Pitch in inches (P)                        | 0.591 inch               |
| Number of poles                 | 6                            | Pin series quantity                        | 1                        |
| Fitted by customer              | No                           | Number of rows                             | 1                        |
| Solder pin length (l)           | 4.5 mm                       | Solder pin dimensions                      | 1.2 x 1.2 mm             |
| Solder eyelet hole diameter (D) | 1.6 mm                       | Solder eyelet hole diameter tolerance (D)  | + 0,1 mm                 |
| Number of solder pins per pole  | 4                            | Screwdriver blade                          | 1.2 x 6.5                |
| Screwdriver blade standard      | DIN 5264                     | Tightening torque, min.                    | 2.5 Nm                   |
| Tightening torque, max.         | 4 Nm                         | Clamping screw                             | M 6                      |
| Stripping length                | 18 mm                        | L1 in mm                                   | 75 mm                    |
| L1 in inches                    | 2.954 inch                   | Touch-safe protection acc. to DIN VDE 0470 | IP 20                    |
| Protection degree               | IP20                         |  |                          |

**Material data**

|                                       |              |                                       |                                  |
|---------------------------------------|--------------|---------------------------------------|----------------------------------|
| Insulating material                   | Wemid (PA)   | Colour                                | black                            |
| Colour chart (similar)                | RAL 9011     | Insulating material group             | I                                |
| Comparative Tracking Index (CTI)      | ≥ 600        | UL 94 flammability rating             | V-0                              |
| Contact material                      | Copper alloy | Contact surface                       | tinned                           |
| Coating                               | 4-6 µm SN    | Layer structure of solder connection  | 1.5...3 µm Ni / 4...6 µm Sn matt |
| Storage temperature, min.             | -40 °C       | Storage temperature, max.             | 70 °C                            |
| Operating temperature, min.           | -50 °C       | Operating temperature, max.           | 120 °C                           |
| Temperature range, installation, min. | -25 °C       | Temperature range, installation, max. | 120 °C                           |

**Conductors suitable for connection**

|   |                     |
|---|---------------------|
| Clamping range, min.  | 0.5 mm <sup>2</sup> |
| Clamping range, max.  | 50 mm <sup>2</sup>  |
| Wire connection cross section AWG, min.                             | AWG 20              |
| Wire connection cross section AWG, max.                             | AWG 1               |
| Solid, min. H05(07) V-U   | 0.5 mm <sup>2</sup> |
| Solid, max. H05(07) V-U   | 16 mm <sup>2</sup>  |
| Stranded, min. H07V-R   | 6 mm <sup>2</sup>   |
| Stranded, max. H07V-R   | 50 mm <sup>2</sup>  |
| Flexible, min. H05(07) V-K  | 0.5 mm <sup>2</sup> |
| Flexible, max. H05(07) V-K  | 35 mm <sup>2</sup>  |
| w. plastic collar ferrule, DIN 46228 pt 4, 0.5 mm <sup>2</sup> min. |                     |

Creation date March 8, 2023 10:33:11 AM CET

Catalogue status 03.03.2023 / We reserve the right to make technical changes.

**Data sheet****LXXX 15.00/06/90FL 4.5SN BK BX****Weidmüller Interface GmbH & Co. KG**  
Klingenbergstraße 26  
D-32758 Detmold  
Germany[www.weidmueller.com](http://www.weidmueller.com)**Technical data**

---

w. plastic collar ferrule, DIN 46228 pt 4, 35 mm<sup>2</sup>  
max.

---

w. wire end ferrule, DIN 46228 pt 1, 0.5 mm<sup>2</sup>  
min.

---

w. wire end ferrule, DIN 46228 pt 1, 35 mm<sup>2</sup>  
max.

**LXXX 15.00/06/90FL 4.5SN BK BX**

**Weidmüller Interface GmbH & Co. KG**  
 Klingenbergstraße 26  
 D-32758 Detmold  
 Germany

www.weidmueller.com

**Technical data**

|  |  |                              |                             |
|--|--|------------------------------|-----------------------------|
| Clampable conductor                    | Cross-section for conductor connection | Type                         | fine-wired                  |
|  |  | nominal                      | 2.5 mm <sup>2</sup>         |
| wire end ferrule                       |  | Stripping length             | nominal 20 mm               |
|  |  | Recommended wire-end ferrule | <a href="#">H2.5/25D BL</a> |
|  |  | Stripping length             | nominal 18 mm               |
|  |  | Recommended wire-end ferrule | <a href="#">H2.5/18</a>     |
| Cross-section for conductor connection | Type                                   | fine-wired                   |                             |
|  | nominal                                | 4 mm <sup>2</sup>            |                             |
| wire end ferrule                       |  | Stripping length             | nominal 20 mm               |
|  |  | Recommended wire-end ferrule | <a href="#">H4.0/26D GR</a> |
|  |  | Stripping length             | nominal 18 mm               |
|  |  | Recommended wire-end ferrule | <a href="#">H4.0/18</a>     |
| Cross-section for conductor connection | Type                                   | fine-wired                   |                             |
|  | nominal                                | 6 mm <sup>2</sup>            |                             |
| wire end ferrule                       |  | Stripping length             | nominal 20 mm               |
|  |  | Recommended wire-end ferrule | <a href="#">H6.0/26 SW</a>  |
|  |  | Stripping length             | nominal 18 mm               |
|  |  | Recommended wire-end ferrule | <a href="#">H6.0/18</a>     |
| Cross-section for conductor connection | Type                                   | fine-wired                   |                             |
|  | nominal                                | 10 mm <sup>2</sup>           |                             |
| wire end ferrule                       |  | Stripping length             | nominal 21 mm               |
|  |  | Recommended wire-end ferrule | <a href="#">H10.0/28 EB</a> |
|  |  | Stripping length             | nominal 18 mm               |
|  |  | Recommended wire-end ferrule | <a href="#">H10.0/18</a>    |
| Cross-section for conductor connection | Type                                   | fine-wired                   |                             |
|  | nominal                                | 16 mm <sup>2</sup>           |                             |
| wire end ferrule                       |  | Stripping length             | nominal 21 mm               |
|  |  | Recommended wire-end ferrule | <a href="#">H16.0/28 GN</a> |
|  |  | Stripping length             | nominal 18 mm               |
|  |  | Recommended wire-end ferrule | <a href="#">H16.0/18</a>    |
| Cross-section for conductor connection | Type                                   | fine-wired                   |                             |
|  | nominal                                | 1.5 mm <sup>2</sup>          |                             |
| wire end ferrule                       |  | Stripping length             | nominal 20 mm               |
|  |  | Recommended wire-end ferrule | <a href="#">H1.5/24 R</a>   |
|  |  | Stripping length             | nominal 18 mm               |
|  |  | Recommended wire-end ferrule | <a href="#">H1.5/18</a>     |
| Cross-section for conductor connection | Type                                   | fine-wired                   |                             |
|  | nominal                                | 35 mm <sup>2</sup>           |                             |
| wire end ferrule                       |  | Stripping length             | nominal 19 mm               |
|  |  | Recommended wire-end ferrule | <a href="#">H35.0/32D R</a> |
|  |  | Stripping length             | nominal 18 mm               |
|  |  | Recommended wire-end ferrule | <a href="#">H35.0/18</a>    |
| Cross-section for conductor connection | Type                                   | fine-wired                   |                             |
|  | nominal                                | 50 mm <sup>2</sup>           |                             |
| wire end ferrule                       |  | Stripping length             | nominal 18 mm               |
|  |  | Recommended wire-end ferrule | <a href="#">H50.0/18</a>    |

## LXXX 15.00/06/90FL 4.5SN BK BX

**Weidmüller Interface GmbH & Co. KG**  
 Klingenbergstraße 26  
 D-32758 Detmold  
 Germany

www.weidmueller.com

## Technical data

Reference text Length of ferrules is to be chosen depending on the product and the rated voltage., The outside diameter of the plastic collar should not be larger than the pitch (P)


### Rated data acc. to IEC

|   |                        |   |         |
|---|------------------------|---|---------|
| tested acc. to standard   | IEC 60664-1, IEC 61984 | Rated current, min. number of poles (Tu=20°C)                         | 150 A   |
| Rated current, min. number of poles (Tu=40°C)                             | 150 A                  | Rated voltage for surge voltage class / pollution degree II/2         | 1,000 V |
| Rated voltage for surge voltage class / pollution degree III/2            | 1,000 V                | Rated voltage for surge voltage class / pollution degree III/3        | 1,000 V |
| Rated impulse voltage for surge voltage class/ pollution degree II/2      | 8 kV                   | Rated impulse voltage for surge voltage class/ pollution degree III/2 | 8 kV    |
| Rated impulse voltage for surge voltage class/ contamination degree III/3 | 8 kV                   |   |         |

### Rated data acc. to CSA

|                                   |        |                                   |       |
|-----------------------------------|--------|-----------------------------------|-------|
| Rated voltage (Use group B / CSA) | 600 V  | Rated voltage (Use group C / CSA) | 600 V |
| Rated voltage (Use group D / CSA) | 600 V  | Rated current (Use group B / CSA) | 127 A |
| Rated current (Use group C / CSA) | 127 A  | Rated current (Use group D / CSA) | 5 A   |
| Wire cross-section, AWG, min.     | AWG 20 | Wire cross-section, AWG, max.     | AWG 1 |

### Rated data acc. to UL 1059

|                                       |   |                                       |        |
|---------------------------------------|---|---------------------------------------|--------|
| Institute (UR)                        |  | Certificate No. (UR)                  | E60693 |
| Rated voltage (Use group B / UL 1059) | 600 V   | Rated voltage (Use group C / UL 1059) | 600 V  |
| Rated current (Use group B / UL 1059) | 126 A   | Rated current (Use group C / UL 1059) | 126 A  |
| Wire cross-section, AWG, min.         | AWG 20  | Wire cross-section, AWG, max.         | AWG 1  |
| Reference to approval values          | Specifications are maximum values, details - see approval certificate.              |                                       |        |

### Packing

|           |        |            |        |
|-----------|--------|------------|--------|
| Packaging | Box    | VPE length | 353 mm |
| VPE width | 136 mm | VPE height | 61 mm  |

### Type tests

|                              |            |   |
|------------------------------|------------|---|
| Test: Durability of markings | Test       | mark of origin, type identification, type of material, pitch, date clock, approval marking CSA, approval marking UL, durability |
|                              | Evaluation | available   |

**LXXX 15.00/06/90FL 4.5SN BK BX**

**Weidmüller Interface GmbH & Co. KG**  
 Klingenbergstraße 26  
 D-32758 Detmold  
 Germany

www.weidmueller.com

**Technical data**

|   |                |  |                              |
|---|----------------|--|------------------------------|
| Test: Clampable cross section                             | Standard       | DIN EN 60999-1 section 7 and 9.1 / 12.00, DIN EN 60947-1 section 8.2.4.5.1 / 12.02 |                              |
|   | Conductor type | Type of conductor and conductor cross-section                                      | solid 0.5 mm <sup>2</sup>    |
|   |                | Type of conductor and conductor cross-section                                      | stranded 0.5 mm <sup>2</sup> |
|   |                | Type of conductor and conductor cross-section                                      | solid 16 mm <sup>2</sup>     |
|   |                | Type of conductor and conductor cross-section                                      | AWG 20/1                     |
|   |                | Type of conductor and conductor cross-section                                      | AWG 20/19                    |
|   |                | Type of conductor and conductor cross-section                                      | AWG 10/1                     |
|   | Evaluation     | passed   |                              |
| Test for damage to and accidental loosening of conductors | Standard       | DIN EN 60999-1 section 9.5 / 12.00   |                              |
|   | Requirement    | 0.3 kg   |                              |
|   | Conductor type | Type of conductor and conductor cross-section                                      | solid 0.5 mm <sup>2</sup>    |
|   |                | Type of conductor and conductor cross-section                                      | stranded 0.5 mm <sup>2</sup> |
|   |                | Type of conductor and conductor cross-section                                      | AWG 20/1                     |
|   |                | Type of conductor and conductor cross-section                                      | AWG 20/19                    |
|   | Evaluation     | passed   |                              |
|   | Requirement    | 1.4 kg   |                              |
|   | Conductor type | Type of conductor and conductor cross-section                                      | AWG 10/1                     |
|   | Evaluation     | passed   |                              |
|   | Requirement    | 2.0 kg   |                              |
|   | Conductor type | Type of conductor and conductor cross-section                                      | stranded 10 mm <sup>2</sup>  |
|   | Evaluation     | passed   |                              |

## LXXX 15.00/06/90FL 4.5SN BK BX

**Weidmüller Interface GmbH & Co. KG**  
 Klingenbergstraße 26  
 D-32758 Detmold  
 Germany

www.weidmueller.com

## Technical data

|               |                |   |                              |  |
|---------------|----------------|---|------------------------------|--|
| Pull-out test | Standard       | DIN EN 60999 section 8.5 / 04.94              |                              |  |
|               | Requirement    | ≥20 N   |                              |  |
|               | Conductor type | Type of conductor and conductor cross-section | solid 0.5 mm <sup>2</sup>    |  |
|               |                | Type of conductor and conductor cross-section | stranded 0.5 mm <sup>2</sup> |  |
|               |                | Type of conductor and conductor cross-section | AWG 20/1                     |  |
|               |                | Type of conductor and conductor cross-section | AWG 20/19                    |  |
|               | Evaluation     | passed  |                              |  |
|               | Requirement    | ≥80 N   |                              |  |
|               | Conductor type | Type of conductor and conductor cross-section | AWG 10/1                     |  |
|               |                | Evaluation                                    | passed                       |  |
|               | Requirement    | ≥ 90N   |                              |  |
|               | Conductor type | Type of conductor and conductor cross-section | stranded 10 mm <sup>2</sup>  |  |
| Evaluation    |                | passed  |                              |  |

### Classifications

|             |             |             |             |
|-------------|-------------|-------------|-------------|
| ETIM 6.0    | EC002643    | ETIM 7.0    | EC002643    |
| ETIM 8.0    | EC002643    | ECLASS 9.0  | 27-44-04-01 |
| ECLASS 9.1  | 27-44-04-01 | ECLASS 10.0 | 27-44-04-01 |
| ECLASS 11.0 | 27-46-01-01 | ECLASS 12.0 | 27-46-01-01 |

### Important note

IPC conformity      Conformity: The products are developed, manufactured and delivered according international recognized standards and norms and comply with the assured properties in the data sheet resp. fulfill decorative properties in accordance with IPC-A-610 "Class 2". Further claims on the products can be evaluated on request.

- Notes
- Additional variants on request
  - Rated current related to rated cross-section & min. No. of poles.
  - Wire end ferrule without plastic collar to DIN 46228/1
  - Wire end ferrule with plastic collar to DIN 46228/4
  - P on drawing = pitch
  - Rated data refer only to the component itself. Clearance and creepage distances to other components are to be designed in accordance with the relevant application standards.
  - IP 20 from 16 mm<sup>2</sup> to 50 mm<sup>2</sup>
  - The test point can only be used as potential-pickup point.
  - Wire-end ferrules are mandatory for stranded wires with more than 19 strands.
  - Long term storage of the product with average temperature of 50 °C and average humidity 70%, 36 months

## LXXX 15.00/06/90FL 4.5SN BK BX

**Weidmüller Interface GmbH & Co. KG**  
Klingenbergstraße 26  
D-32758 Detmold  
Germany

[www.weidmueller.com](http://www.weidmueller.com)

## Technical data

### Approvals

Approvals



|                       |            |
|-----------------------|------------|
| ROHS                  | Conform    |
| UL File Number Search | UL Website |
| Certificate No. (UR)  | E60693     |

### Downloads

|   |  |
|---|--|
| Approval/Certificate/Document of Conformity | <a href="#">Declaration of the Manufacturer</a>  |
| Engineering Data                            | <a href="#">CAD data – STEP</a>  |
| Engineering Data                            | <a href="#">WSCAD</a>  |
| User Documentation                          | <a href="#">QR-Code product handling video</a>   |
| Catalogues                                  | <a href="#">Catalogues in PDF-format</a>   |
| Brochures                                   | <a href="#">FL DRIVES EN</a><br><a href="#">MB DEVICE MANUF. EN</a><br><a href="#">FL DRIVES DE</a><br><a href="#">FL APPL_INVERTER EN</a><br><a href="#">FL_BASE_STATION_EN</a><br><a href="#">FL ELEVATOR EN</a><br><a href="#">FL POWER SUPPLY EN</a><br><a href="#">FL 72H SAMPLE SER EN</a><br><a href="#">PO OMNIMATE EN</a><br><a href="#">PO OMNIMATE EN</a> |



**LXXX 15.00/06/90FL 4.5SN BK BX**

**Weidmüller Interface GmbH & Co. KG**  
 Klingenbergstraße 26  
 D-32758 Detmold  
 Germany

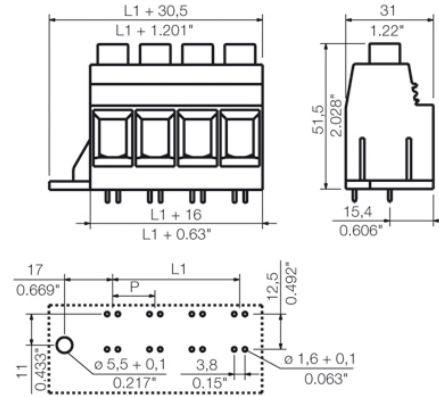
www.weidmueller.com

**Drawings**

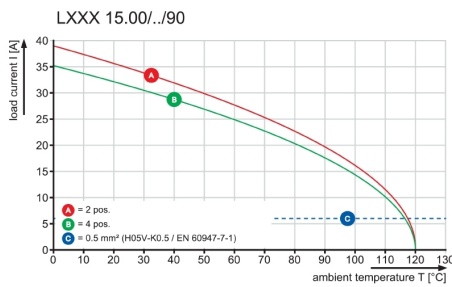
**Product image**



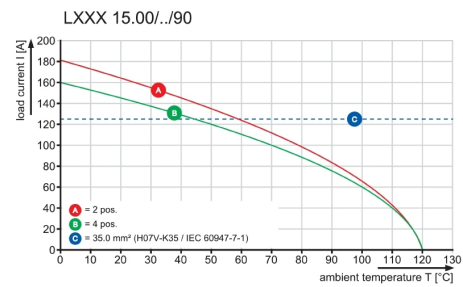
**Dimensional drawing**



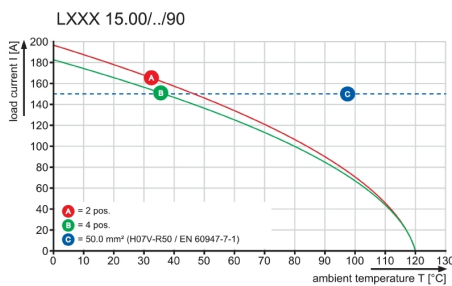
**Graph**



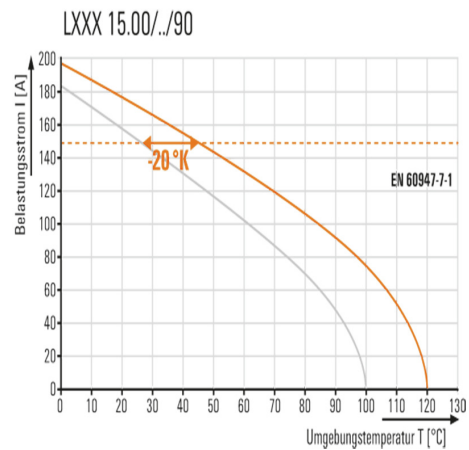
**Graph**



**Graph**



**Product benefits**



Increased power reserves  
 Optimised application safety

**Data sheet**

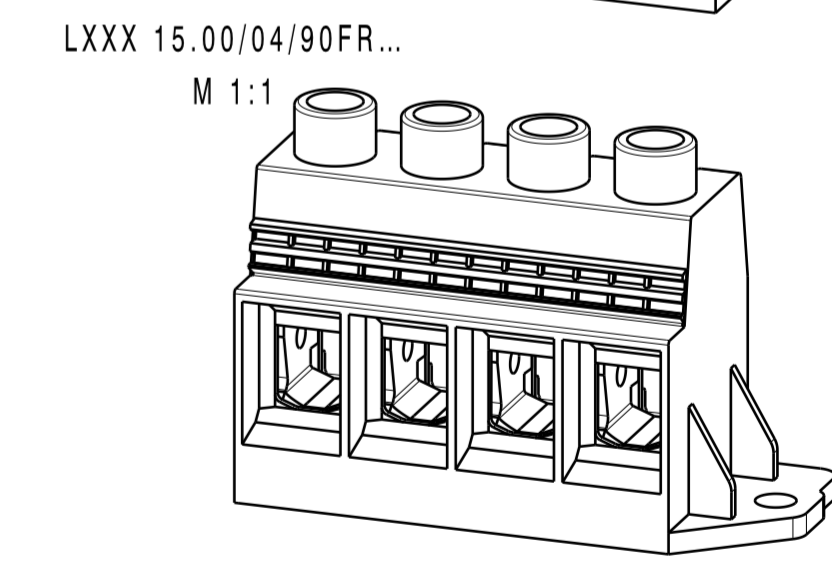
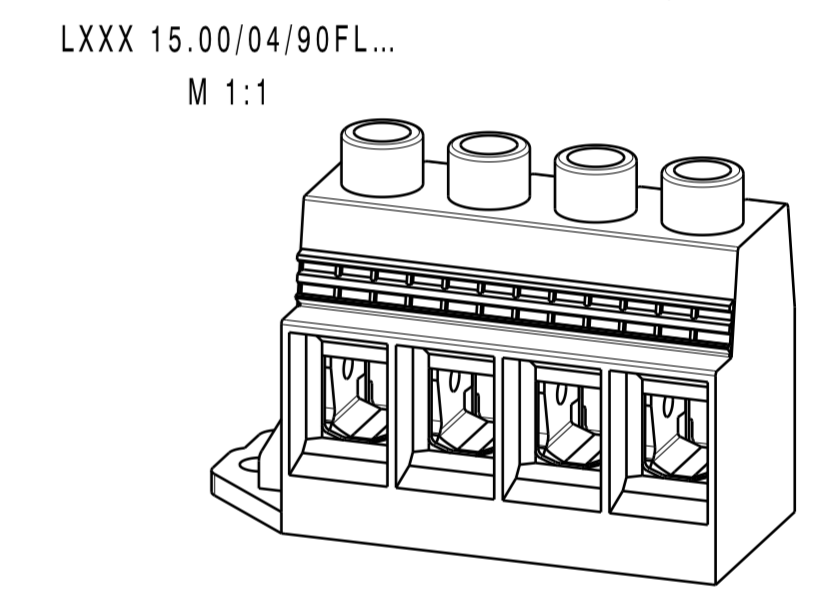
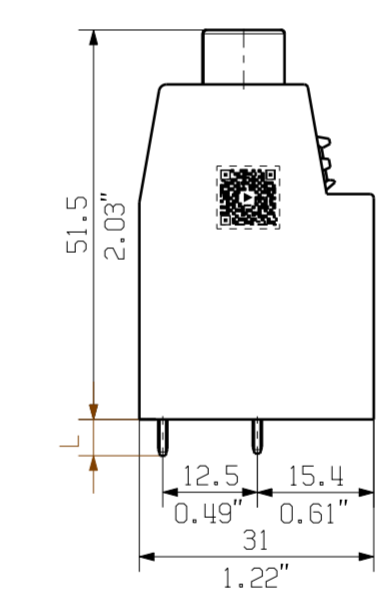
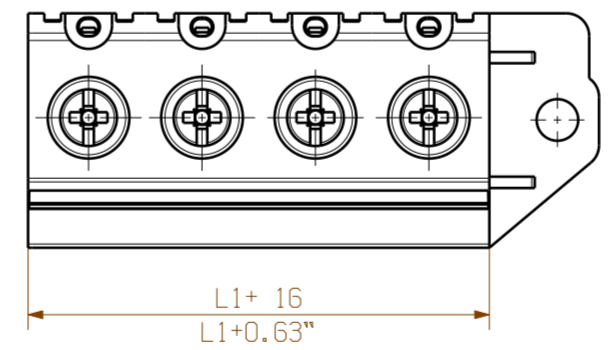
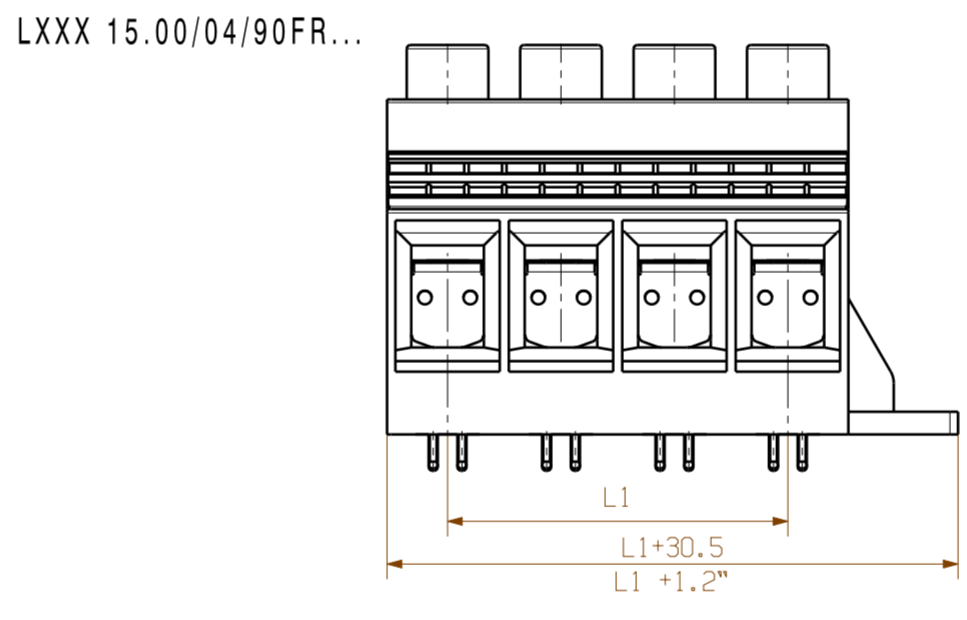
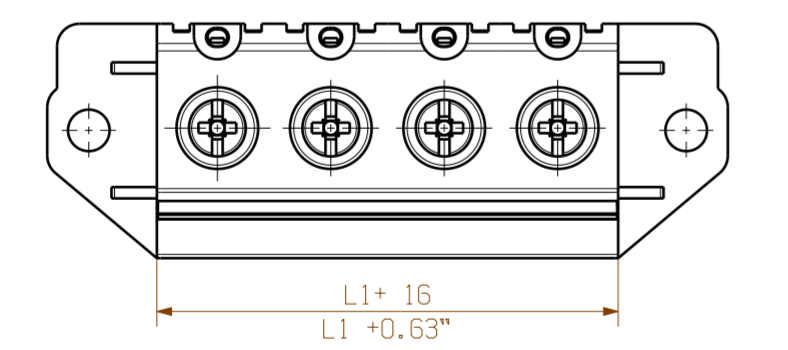
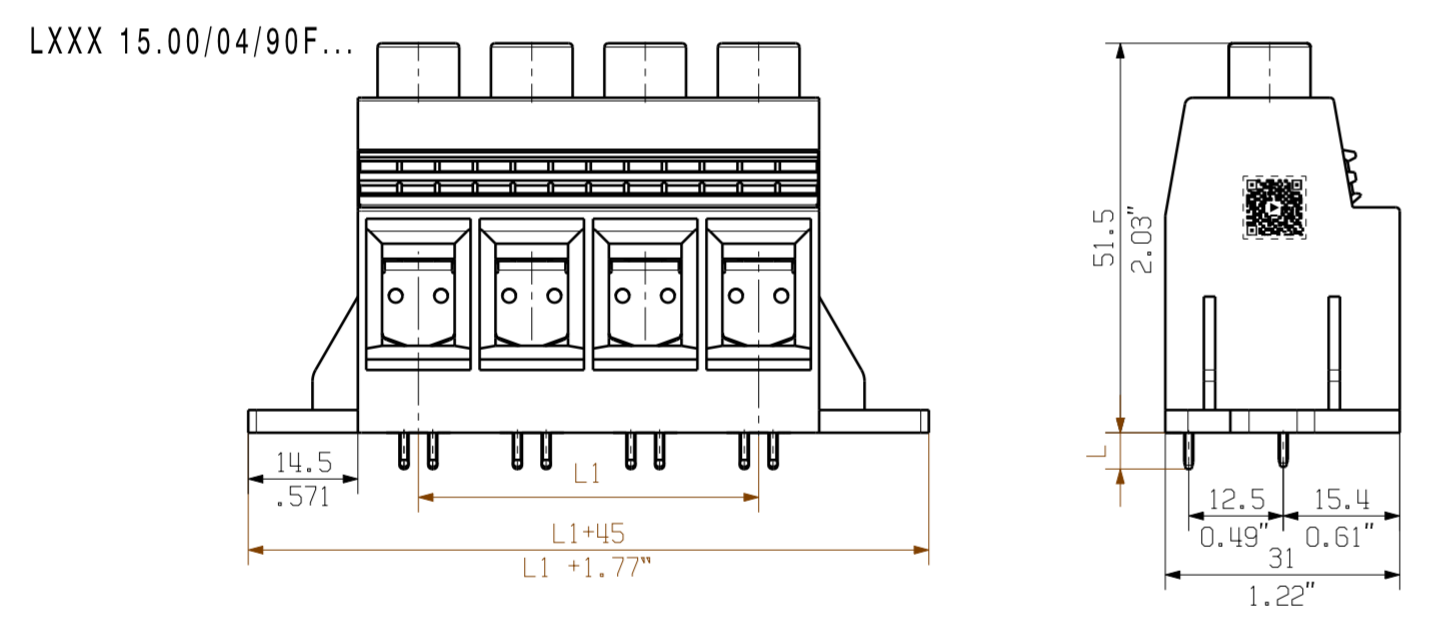
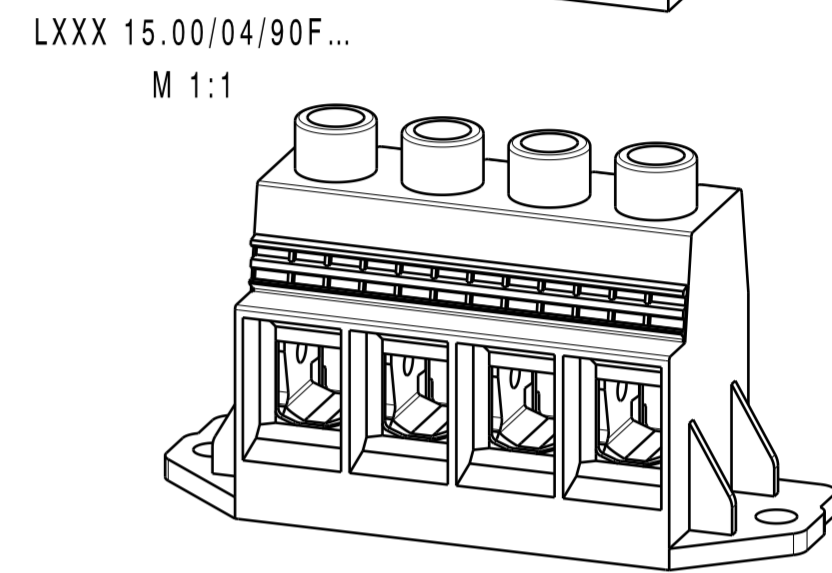
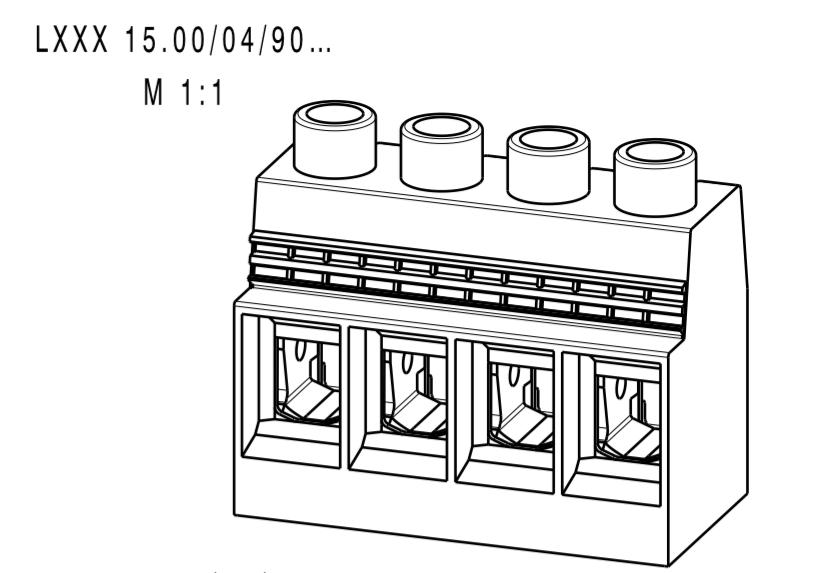
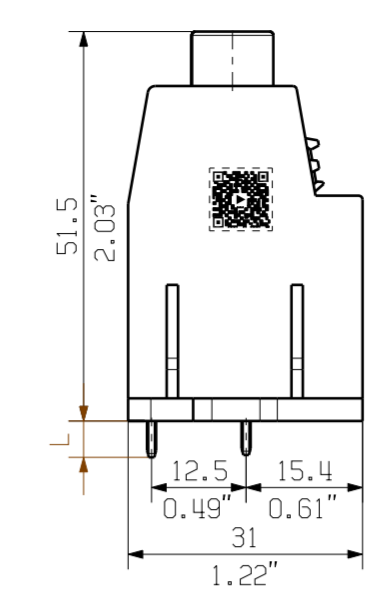
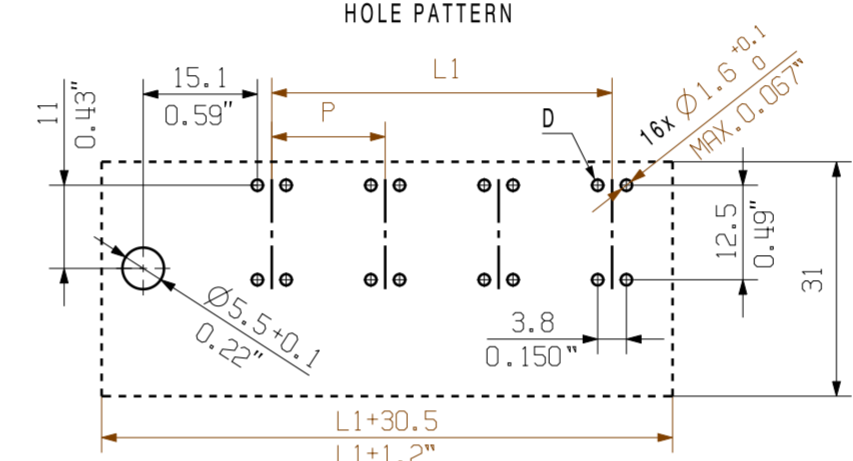
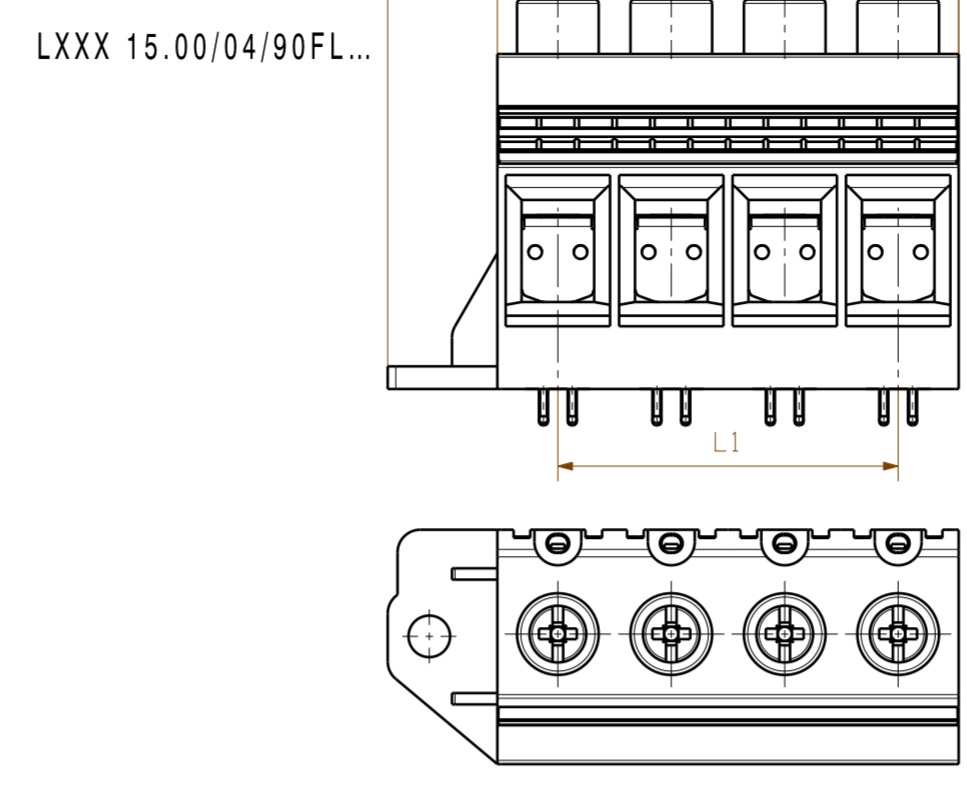
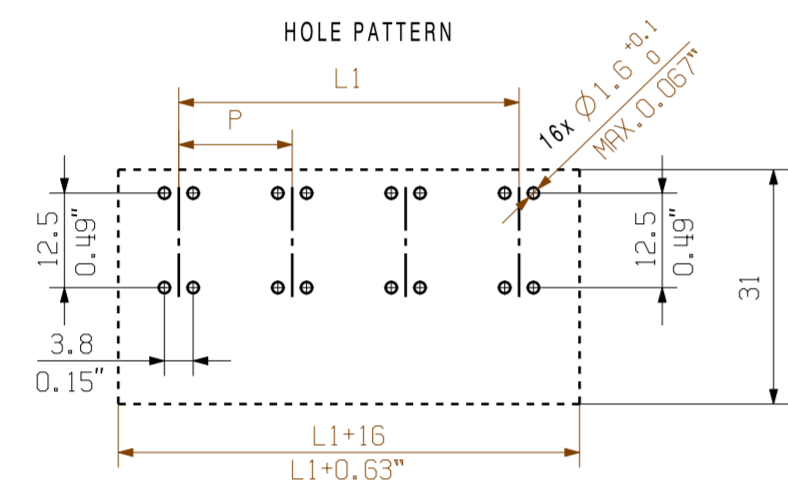
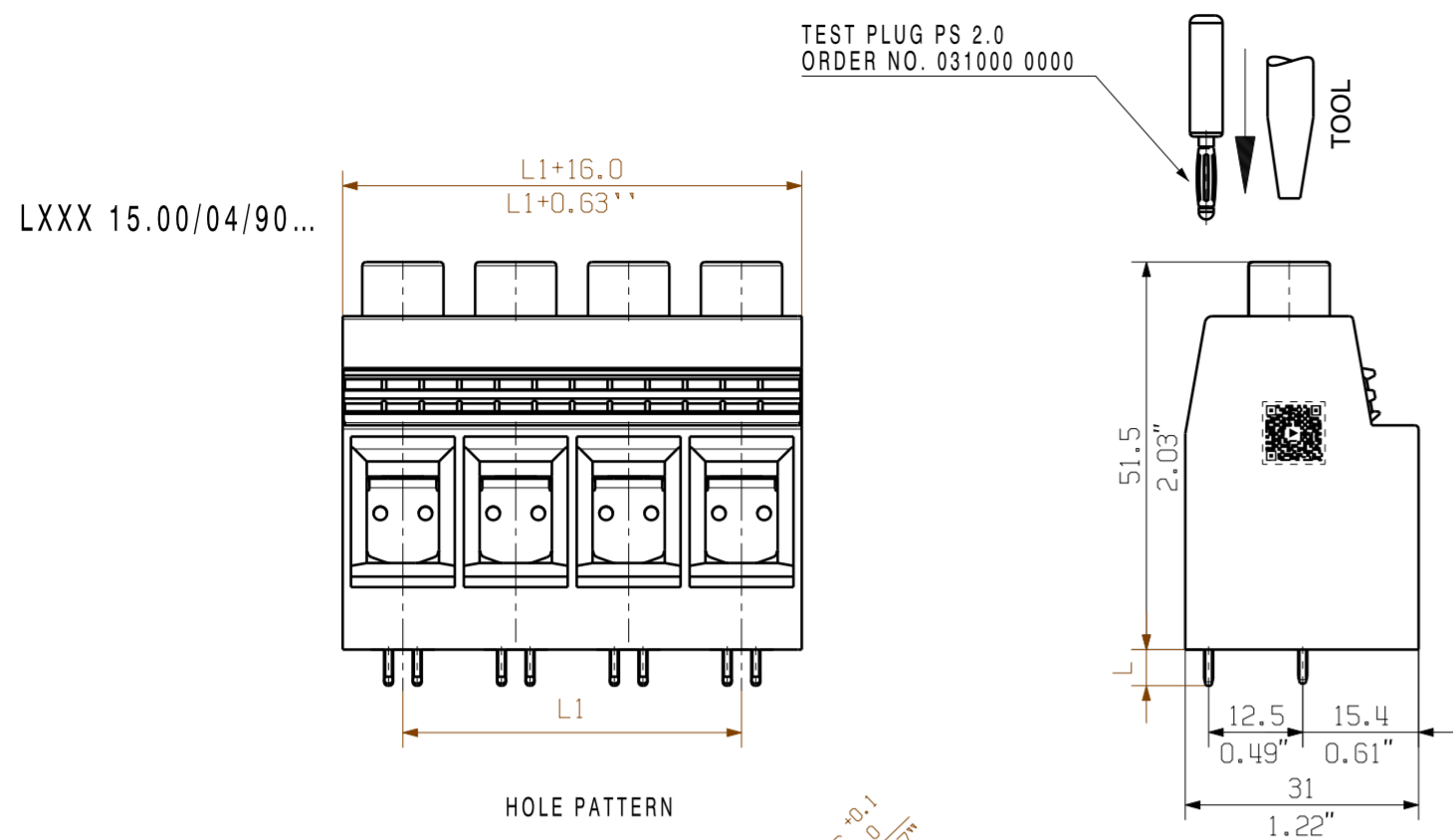
**LXXX 15.00/06/90FL 4.5SN BK BX**

**Weidmüller Interface GmbH & Co. KG**  
Klingenbergstraße 26  
D-32758 Detmold  
Germany

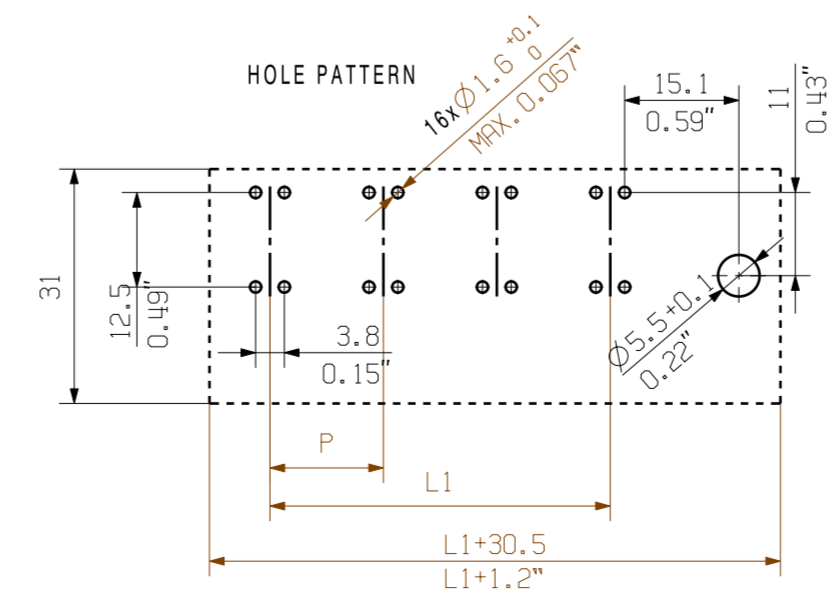
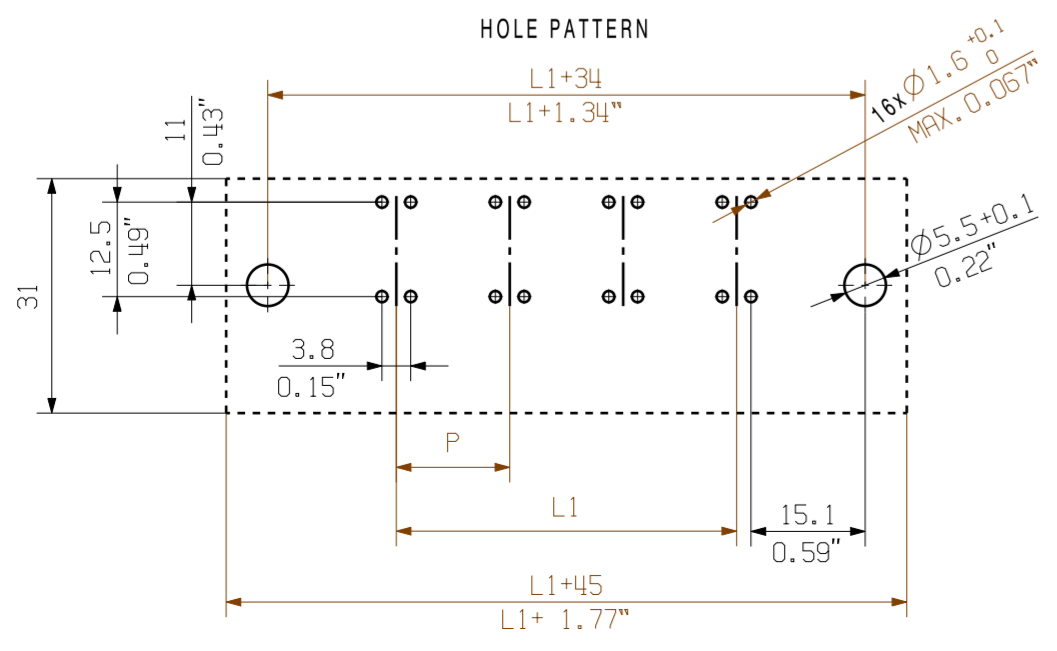
[www.weidmueller.com](http://www.weidmueller.com)

**Drawings**





n = No. of poles  
L = 4.8<sup>±0.35</sup>  
P = Pitch



Customer drawing

For the mounting of PCBs, it should be noted that the rated data relates only to the PCB components alone. The necessary creepage and clearance paths must be observed in connection with the respective applicant in accordance to IEC 60664-1 (VDE 0110). The current-carrying capacity and pitch tolerance is to be determined according to DIN IEC 60326-3 very fine.

Weidmüller PCB components are tested to the IEC 60947-7-4 standard, and are valid for its field of application. Provided that the components are used to the intended purpose, all requirements with respect to the occurring of electrical, mechanical, thermal and corrosive stress will be satisfied.

|   |        |          |
|---|--------|----------|
| 9 | 120    | 1.372    |
| 8 | 105    | 1.313    |
| 7 | 90     | 1.254    |
| 6 | 75     | 1.195    |
| 5 | 60     | 1.136    |
| 4 | 45     | 1.77     |
| 3 | 30     | 1.18     |
| 2 | 15     | 0.59     |
| n | L1[mm] | L1[inch] |

GENERAL TOLERANCE:  
DIN ISO 2768-m

|  |           |   |                               |
|--|-----------|---|-------------------------------|
| EC00000683                             | 00        | Prim PLM Part No.: 004587                                   | Prim ERP Part No.: 1047150000 |
| First Issue Date<br>14.05.2018         | Max. nos. | <b>Weidmüller</b>   |                               |
| Modification                           | 46279     |   |                               |
| Drawn<br>03.12.2018<br>Xiang, Keqin    | Date      | Name  | Sheet 01 of 01 sheets         |
| Responsible<br>04.12.2018<br>Xu, Shary | Approved  | LXXX 15.00/.../90...<br>LEITERPLATTENKLEMME<br>PCB TERMINAL |                               |
| Scale: 1/1                             | Size: A2  | Product file: 7082 LXXX 15.00                               |                               |

The reproduction, distribution and utilization of this document as well as the communication of its contents to others without explicit authorization is prohibited. Offenders will be held liable for the payment of damages. Weidmüller exclusively reserves the right to file for patents, utility models or designs.

© Weidmüller Interface GmbH & Co. KG

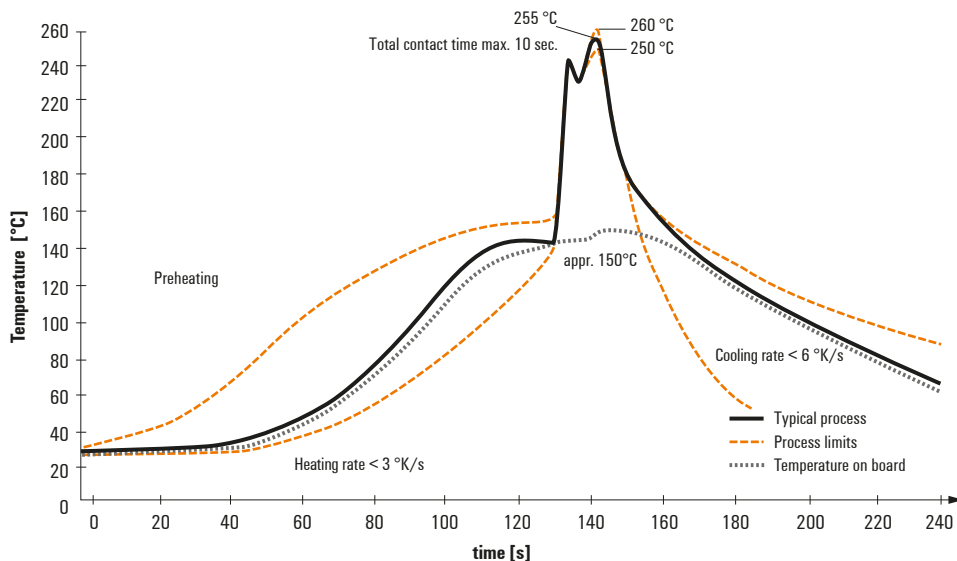
## Recommended wave soldering profiles

**Weidmüller Interface GmbH & Co. KG**  
 Klingenbergstraße 16  
 D-32758 Detmold  
 Germany  
 Fon: +49 5231 14-0  
 Fax: +49 5231 14-292083  
 www.weidmueller.com

### Single Wave:



### Double Wave:



### Wave soldering profiles

Wired connection elements should be processed in accordance with the DIN EN 61760-1 standard. We have included two recommendations for practical wave soldering profiles, with which Weidmüller PCB terminals and connectors are qualified.

When choosing a suitable profile for your application, the following factors also need to be considered:

- PCB thickness
- Proportion of Cu in the layers
- Single/double-sided assembly
- Product range
- Heating and cooling rates

The single and double wave profiles each indicate the recommended operating range, including the maximum soldering temperature of 260°C. In practice, the maximum soldering temperature is quite often well below the above maximum profile.