

IE-AD-M12XRJ45-90

Weidmüller Interface GmbH & Co. KG
Klingenbergstraße 26
D-32758 Detmold
Germany

www.weidmueller.com



General ordering data

Version	Adapter, RJ45 90°, M12, Cat.6A / Class EA (ISO/IEC 11801 2010), IP67, M12 socket to RJ45 socket
Order No.	1400610000
Type	IE-AD-M12XRJ45-90
GTIN (EAN)	4050118202519
Qty.	10 pc(s).

Creation date March 8, 2023 10:43:47 AM CET

Catalogue status 03.03.2023 / We reserve the right to make technical changes.

IE-AD-M12XRJ45-90

Weidmüller Interface GmbH & Co. KG

Klingenbergstraße 26

D-32758 Detmold

Germany

www.weidmueller.com

Technical data

Dimensions and weights

Wall thickness, min.	0.9 mm	Wall thickness, max.	3 mm
Net weight	6.2 g		

Temperatures

Operating temperature	-25 °C...85 °C	Operating temperature, min.	-25 °C
Operating temperature, max.	85 °C		

Technical data customisable plug-in connectors

Category	Cat.6A / Class EA (ISO/IEC 11801 2010)	Coding	X
Contact surface	Gold-plated	Housing main material	Zinc diecast
Insulation strength	100 MΩ	Number of poles	8
Plugging cycles	≥ 100 (M12), 750 (RJ45)	Protection degree	IP67
Rated voltage	50 V		

General Info

Number of poles	8	Connection 1	RJ45 90°
Connection 2	M12	Description of article	Adapter, angled
Configuration	M12 socket to RJ45 socket	Housing main material	Zinc diecast
Category	Cat.6A / Class EA (ISO/IEC 11801 2010)	Connection thread	M12
Contact material	Copper alloy	Contact surface	Gold-plated
Shielding	360° shield contact	Protection degree	IP67
Plugging cycles	≥ 100 (M12), 750 (RJ45)		

Electrical properties

Insulation strength	100 MΩ	Rated voltage	50 V
---------------------	--------	---------------	------

Standards

Connector standard	IEC 61076-2-109, IEC 60603-7-51
--------------------	---------------------------------

General technical specifications

Coding	X	Connection thread	M12
Contact material	Copper alloy	Contact surface	Gold-plated
Housing main material	Zinc diecast	Insulation strength	100 MΩ
Number of poles	8	Plugging cycles	≥ 100 (M12), 750 (RJ45)
Protection degree	IP67	Rated voltage	50 V

Classifications

ETIM 6.0	EC000313	ETIM 7.0	EC000313
ETIM 8.0	EC000313	ECLASS 9.0	27-44-03-20
ECLASS 9.1	19-17-01-25	ECLASS 10.0	27-44-03-20
ECLASS 11.0	27-44-03-20	ECLASS 12.0	27-44-03-20

IE-AD-M12XRJ45-90**Weidmüller Interface GmbH & Co. KG**

Klingenbergstraße 26

D-32758 Detmold

Germany

www.weidmueller.com

Technical data**Environmental Product Compliance**

REACH SVHC	Lead 7439-92-1
SCIP	67cf1078-beca-4687-860b-dc475a6ec24a

Approvals

Approvals



ROHS	Conform
UL File Number Search	UL Website
Certificate no. (cULus)	E316369

Downloads

Approval/Certificate/Document of Conformity	DUXR.E316369 PROFINET Manufacturer's Declaration
Engineering Data	CAD data – STEP
Product Change Notification	20200827 Technische Änderung zu M12-X-codeRJ45 Adapter 20200827 Technical change to M12 X-codeRJ45 adapter
User Documentation	MAN IE GUIDE DE MAN IE GUIDE EN Manual
Catalogues	Catalogues in PDF-format
Brochures	FL FIELDWIRING EN PI PROFINET CABLING EN PI PROFINET CABLING EN

IE-AD-M12XRJ45-90

Weidmüller Interface GmbH & Co. KG
 Klingenbergstraße 26
 D-32758 Detmold
 Germany

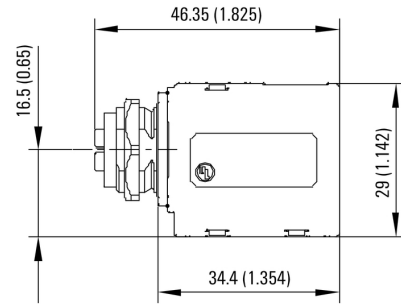
www.weidmueller.com

Drawings

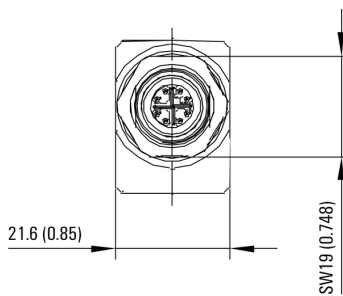
Product image



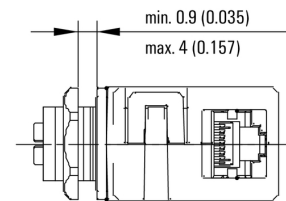
Dimensioned drawing



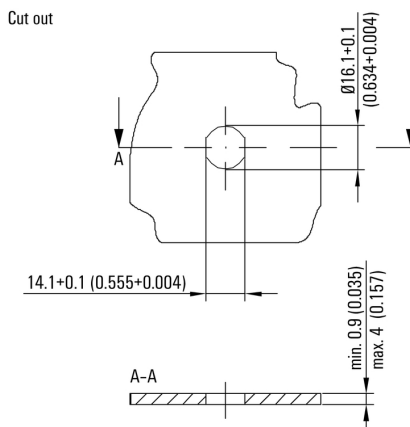
Dimensioned drawing



Dimensioned drawing



Installation cut-out



IE-AD-M12XRJ45-90

Weidmüller Interface GmbH & Co. KG
Klingenbergstraße 26
D-32758 Detmold
Germany

www.weidmueller.com

Drawings

Wiring

