

IE-FCM-USB-3.0-A**Weidmüller Interface GmbH & Co. KG**

Klingenbergstraße 26

D-32758 Detmold

Germany

www.weidmueller.comService interface FrontCom[®] Micro with USB in IP65**General ordering data**

| | |
|------------|--|
| Version | FrontCom Micro USB coupling, USB 3.0, Type A |
| Order No. | 1427960000 |
| Type | IE-FCM-USB-3.0-A |
| GTIN (EAN) | 4050118232318 |
| Qty. | 10 pc(s). |

Creation date March 8, 2023 10:53:15 AM CET

Catalogue status 03.03.2023 / We reserve the right to make technical changes.

IE-FCM-USB-3.0-A**Weidmüller Interface GmbH & Co. KG**

Klingenbergstraße 26

D-32758 Detmold

Germany

www.weidmueller.com

Technical data**Dimensions and weights**

| | | | |
|----------------------|--------|----------------------|------|
| Wall thickness, min. | 1 mm | Wall thickness, max. | 3 mm |
| Net weight | 28.1 g | | |

Temperatures

| | | | |
|-----------------------------|----------------|-----------------------------|--------|
| Operating temperature | -40 °C...70 °C | Operating temperature, min. | -40 °C |
| Operating temperature, max. | 70 °C | | |

General Info

| | | | |
|------------------------|--|-----------------------|---------------------------|
| Connection 1 | USB A | Connection 2 | USB A |
| Description of article | FrontCom Micro USB coupling, USB 3.0 | Wiring | Type A |
| Colour | black | Housing main material | PA UL 94 V0 |
| Contact surface | Gold over nickel | Type of mounting | Cabinet, Distribution box |
| Shielding material | Stainless steel, rust-proof, nickel-plated | Shielding | 360° shield contact |
| Protection degree | IP65, in closed state | Plugging cycles | ≥ 1500 |

Electrical properties

| | | | |
|--------------------|---------|---------------------|-----------|
| Contact resistance | ≤ 30 mΩ | Insulation strength | ≥ 1000 MΩ |
|--------------------|---------|---------------------|-----------|

General standards

| | | | |
|---|---------|--------------------|-----------------|
| Certificate no. (cULus) | E316369 | Connector standard | IEC 61076-3-107 |
| UL standard for communication accessories | UL 1863 | | |

Classifications

| | | | |
|-------------|-------------|-------------|-------------|
| ETIM 6.0 | EC001031 | ETIM 7.0 | EC001031 |
| ETIM 8.0 | EC001031 | ECLASS 9.0 | 27-18-27-02 |
| ECLASS 9.1 | 27-18-27-90 | ECLASS 10.0 | 27-18-27-02 |
| ECLASS 11.0 | 27-18-27-02 | ECLASS 12.0 | 27-18-28-92 |

Approvals

Approvals



| | |
|-------------------------|------------|
| ROHS | Conform |
| UL File Number Search | UL Website |
| Certificate no. (cULus) | E316369 |

IE-FCM-USB-3.0-A

Weidmüller Interface GmbH & Co. KG
Klingenbergstraße 26
D-32758 Detmold
Germany

www.weidmueller.com

Technical data**Downloads**

| | |
|--------------------|---|
| Engineering Data | CAD data – STEP |
| User Documentation | MAN IE GUIDE DE MAN IE GUIDE EN Manual |
| Catalogues | Catalogues in PDF-format |
| Brochures | FL FIELDWIRING EN PI PROFINET CABLING EN PI PROFINET CABLING EN |

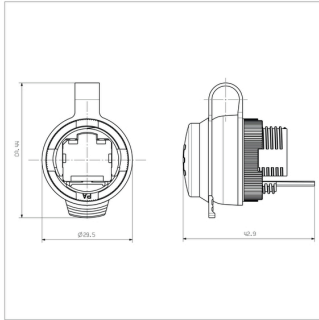
IE-FCM-USB-3.0-A

Weidmüller Interface GmbH & Co. KG
Klingenbergstraße 26
D-32758 Detmold
Germany

www.weidmueller.com

Drawings

Dimensioned drawing



Installation cut-out

