

SAIE-M12B-CD-1.0U**Weidmüller Interface GmbH & Co. KG**

Klingenbergstraße 26

D-32758 Detmold

Germany

www.weidmueller.com



Various build-in connectors are required for the connections on the device side of the sensor/actuator cabling. These are available in the versions M12, M8 and M5.

General ordering data

Version	Built-in plugs, M12, PG 9, Number of poles: 5, 1 m
Order No.	1436710100
Type	SAIE-M12B-CD-1.0U
GTIN (EAN)	4050118244458
Qty.	1 pc(s).

Creation date March 8, 2023 11:06:39 AM CET

Catalogue status 03.03.2023 / We reserve the right to make technical changes.

SAIE-M12B-CD-1.0U**Weidmüller Interface GmbH & Co. KG**

Klingenbergstraße 26

D-32758 Detmold

Germany

www.weidmueller.com

Technical data**Dimensions and weights**

Net weight 80 g

Technical specifications for cable

Bending radius, min., moving	10 x cable diameter	Bending radius, min., stationary	5 x cable diameter
Cable length	1 m	Number of poles	5
PE function	No	Sheath material	PUR halogen-free
Sheathing colour	violet		

Technical data customisable plug-in connectors

Cable diameter, max.	7.5	Cable diameter, min.	6.9
Cable glands	PG 9	Coding	A
Contact surface	Gold-plated	Number of poles	5
Pollution severity	3	Protection degree	IP68
Rated current	4 A	Rated voltage	125 V
Temperature range of housing	-5 ... +70 °C		

Standards

Connector standard IEC 61076-2-101

Classifications

ETIM 6.0	EC002635	ETIM 7.0	EC003570
ETIM 8.0	EC003570	ECLASS 9.0	27-44-01-03
ECLASS 9.1	27-44-01-03	ECLASS 10.0	27-44-01-03
ECLASS 11.0	27-44-01-03	ECLASS 12.0	27-44-01-03

Environmental Product Compliance

REACH SVHC Lead 7439-92-1
 SCIP bd63baef-8092-4596-90c7-5b4daa22710b

Approvals

Approvals



ROHS Conform

Downloads

Catalogues [Catalogues in PDF-format](#)
 Brochures [FL FIELDWIRING EN](#)

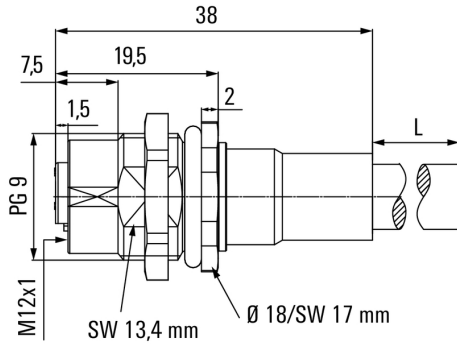
SAIE-M12B-CD-1.0U

Weidmüller Interface GmbH & Co. KG
 Klingenbergstraße 26
 D-32758 Detmold
 Germany

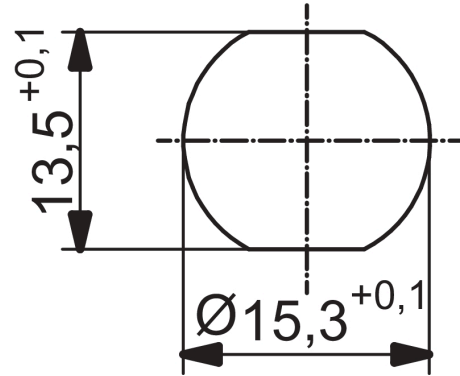
www.weidmueller.com

Drawings

Dimensioned drawing



Detailed drawing



Wiring diagram

