

**IE-TO-USB-AB****Weidmüller Interface GmbH & Co. KG**

Klingenbergstraße 26

D-32758 Detmold

Germany

www.weidmueller.com



Mounting rail outlet, USB coupling (A-A) design according to IEC 61076-3-107

**General ordering data**

Version	Terminal rail outlet, USB, IP20
Order No.	<a href="#">1438 180000</a>
Type	IE-TO-USB-AB
GTIN (EAN)	4050 118244380
Qty.	1 pc(s).

Creation date March 8, 2023 11:06:56 AM CET

Catalogue status 03.03.2023 / We reserve the right to make technical changes.

## IE-TO-USB-AB

Weidmüller Interface GmbH &amp; Co. KG

Klingenbergstraße 26

D-32758 Detmold

Germany

www.weidmueller.com

## Technical data

## Dimensions and weights

Net weight	36 g
------------	------

## Temperatures

Operating temperature	-40 °C...70 °C	Operating temperature, min.	-40 °C
Operating temperature, max.	70 °C		

## General Info

Connection 1	USB A	Connection 2	USB B
Wiring	USB	Colour	Light Grey
Housing main material	PA UL 94 V0	Type of mounting	TS 35
Protection degree	IP20		

## General standards

Connector standard	IEC 61076-3-107
--------------------	-----------------

## Classifications

ETIM 6.0	EC000313	ETIM 7.0	EC000313
ETIM 8.0	EC000313	ECLASS 9.0	27-44-03-20
ECLASS 9.1	19-17-01-25	ECLASS 10.0	27-44-03-20
ECLASS 11.0	27-44-03-20	ECLASS 12.0	27-44-03-20

## Approvals

Approvals



ROHS	Conform
------	---------

## Downloads

Engineering Data	<a href="#">CAD data – STEP</a>
User Documentation	<a href="#">MAN IE GUIDE DE</a> <a href="#">MAN IE GUIDE EN</a> <a href="#">Manual</a>
Catalogues	<a href="#">Catalogues in PDF-format</a>
Brochures	<a href="#">MB FREECONTACT EN</a> <a href="#">FL FIELDWIRING EN</a> <a href="#">PI PROFINET CABLING EN</a> <a href="#">PI PROFINET CABLING EN</a>

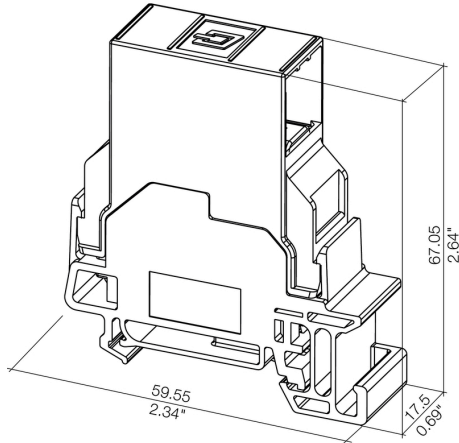
**IE-TO-USB-AB**

**Weidmüller Interface GmbH & Co. KG**  
Klingenbergstraße 26  
D-32758 Detmold  
Germany

[www.weidmueller.com](http://www.weidmueller.com)

**Drawings**

**Dimensioned drawing**



**Drawing**

