

IE-FC-SFP-KNOB**Weidmüller Interfaces GmbH & Co. KG**

Postfach 3030

32760 Detmold

Tel. +49 5231 14-0

Fax. +49 5231 14-2083

info@weidmueller.com

www.weidmueller.com



FrontCom® Vario integrates multiple functions in only one single frame. The system is easy to install and you can select from a wide range of data, signal and power modules. In addition to being extremely compact, FrontCom® Vario offers a number of unique product features that will make your project planning and work activities secure, fast and future-proof. Furthermore, the FrontCom® Vario system has an attractive housing design that, by the way, offers highest impact-resistance and fully meets the requirements of IP 65 protection class.

General ordering data

Version	FrontCom, Single frame, Plastic cover, Control knob locking
Order No.	1450510000
Type	IE-FC-SFP-KNOB
GTIN (EAN)	4050118255454
Qty.	1 pc(s).

IE-FC-SFP-KNOB

Weidmüller Interfaces GmbH & Co. KG

Postfach 3030

32760 Detmold

Tel. +49 5231 14-0

Fax. +49 5231 14-2083

info@weidmueller.com

www.weidmueller.com

Technical data

Dimensions and weights

Depth	27.5 mm	Depth (inches)	1.083 inch
Height	134 mm	Height (inches)	5.276 inch
Width	67 mm	Width (inches)	2.638 inch
Wall thickness, min.	1 mm	Wall thickness, max.	5 mm
Net weight	322.53 g		

Temperatures

Operating temperature	-40 °C...70 °C	Operating temperature, min.	-40 °C
Operating temperature, max.	70 °C		

General data

Material cover	Polycarbonate PC	Material frame	Zinc diecast
Product type	Single frame, Plastic cover, Control knob locking	Protection degree	IP65, in closed state

General standards

Certificate No. (DNVGL)	TAA000022B
-------------------------	------------

Classifications

ETIM 6.0	EC001031	ETIM 7.0	EC001031
ETIM 8.0	EC001031	ECLASS 9.0	27-18-27-02
ECLASS 9.1	27-18-27-90	ECLASS 10.0	27-18-27-02
ECLASS 11.0	27-18-27-02	ECLASS 12.0	27-18-28-92

Approvals

Approvals



ROHS	Conform
------	---------

Downloads

Approval/Certificate/Document of Conformity	GL_FrontCom
Engineering Data	CAD data – STEP
Product Change Notification	FrontCom Vario Single Frame EN FrontCom Vario Single Frame DE
User Documentation	MAN IE GUIDE DE MAN IE GUIDE EN Manual Designation key / Type key
Catalogues	Catalogues in PDF-format
Brochures	FL FIELDWIRING EN PI PROFINET CABLING EN PI PROFINET CABLING EN

Creation date February 28, 2023 12:42:55 PM CET

Catalogue status 18.02.2023 / We reserve the right to make technical changes.

IE-FC-SFP-KNOB

Weidmüller Interfaces GmbH & Co. KG

Postfach 3030

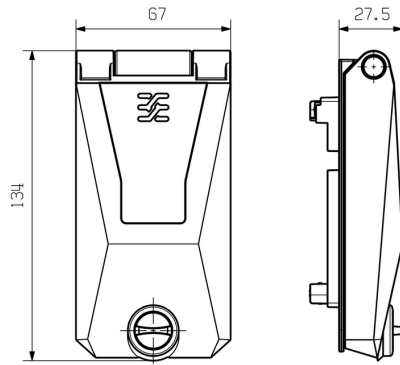
32760 Detmold

Tel. +49 5231 14-0

Fax. +49 5231 14-2083

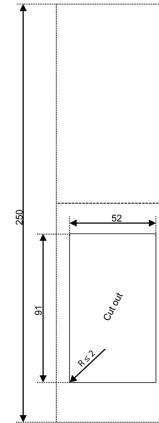
Drawings

Dimensioned drawing



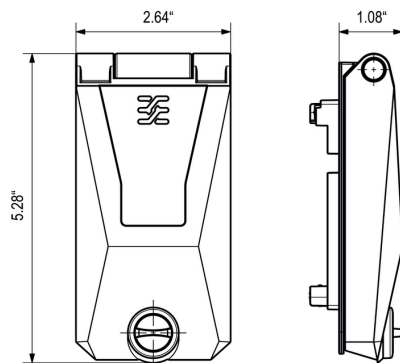
Unit: mm

Installation cut-out info@weidmueller.com



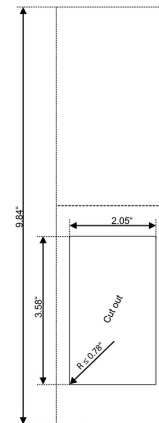
Unit: mm

Dimensioned drawing



Unit: in

Installation cut-out



Unit: in