

IE-FC-SFM-KEY2**Weidmüller Interface GmbH & Co. KG**

Klingenbergstraße 26

D-32758 Detmold

Germany

www.weidmueller.com



FrontCom® Vario integrates multiple functions in only one single frame. The system is easy to install and you can select from a wide range of data, signal and power modules. In addition to being extremely compact, FrontCom® Vario offers a number of unique product features that will make your project planning and work activities secure, fast and future-proof. Furthermore, the FrontCom® Vario system has an attractive housing design that, by the way, offers highest impact-resistance and fully meets the requirements of IP 65 protection class.

General ordering data

Version	FrontCom, Single frame, Metal cover, Lockable with key
Order No.	1450540000
Type	IE-FC-SFM-KEY2
GTIN (EAN)	4050118255478
Qty.	1 pc(s).

Creation date March 8, 2023 11:34:37 AM CET

Catalogue status 03.03.2023 / We reserve the right to make technical changes.

IE-FC-SFM-KEY2

Weidmüller Interface GmbH & Co. KG
Klingenbergstraße 26
D-32758 Detmold
Germany

www.weidmueller.com

Technical data

Dimensions and weights

Depth	27.5 mm	Depth (inches)	1.083 inch
Height	134 mm	Height (inches)	5.276 inch
Width	67 mm	Width (inches)	2.638 inch
Wall thickness, min.	1 mm	Wall thickness, max.	5 mm
Net weight	518.38 g		

Temperatures

Operating temperature	-40 °C...70 °C	Operating temperature, min.	-40 °C
Operating temperature, max.	70 °C		

General data

Material cover	Zinc diecast, powder-coated	Material frame	Zinc diecast
Product type	Single frame, Metal cover, Lockable with key	Protection class (UL)	Type 12
Protection degree	IP65, in closed state		

General standards

Certificate No. (CSA)	2000039-80039714	Certificate No. (cURus)	E223801
-----------------------	------------------	-------------------------	---------

Classifications

ETIM 6.0	EC001031	ETIM 7.0	EC001031
ETIM 8.0	EC001031	ECLASS 9.0	27-18-27-02
ECLASS 9.1	27-18-27-90	ECLASS 10.0	27-18-27-02
ECLASS 11.0	27-18-27-02	ECLASS 12.0	27-18-28-92

Approvals

Approvals



ROHS	Conform
UL File Number Search	UL Website
Certificate No. (cURus)	E223801

Downloads

Approval/Certificate/Document of Conformity	GL_FrontCom
Engineering Data	CAD data – STEP
User Documentation	MAN IE GUIDE DE MAN IE GUIDE EN Manual Designation key / Type key
Catalogues	Catalogues in PDF-format
Brochures	FL FIELDWIRING EN PI PROFINET CABLING EN PI PROFINET CABLING EN

Creation date March 8, 2023 11:34:37 AM CET

Catalogue status 03.03.2023 / We reserve the right to make technical changes.

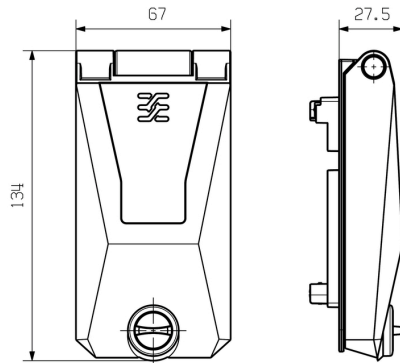
IE-FC-SFM-KEY2

Weidmüller Interface GmbH & Co. KG
Klingenbergstraße 26
D-32758 Detmold
Germany

www.weidmueller.com

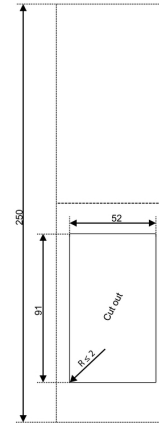
Drawings

Dimensioned drawing



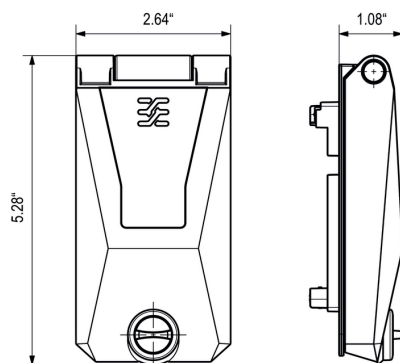
Unit: mm

Installation cut-out



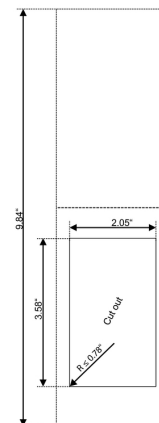
Unit: mm

Dimensioned drawing



Unit: in

Installation cut-out



Unit: in