

IE-FCI-PWB-CH**Weidmüller Interface GmbH & Co. KG**

Klingenbergstraße 26

D-32758 Detmold

Germany

www.weidmueller.com



FrontCom® Vario integrates multiple functions in only one single frame. The system is easy to install and you can select from a wide range of data, signal and power modules. In addition to being extremely compact, FrontCom® Vario offers a number of unique product features that will make your project planning and work activities secure, fast and future-proof. Furthermore, the FrontCom® Vario system has an attractive housing design that, by the way, offers highest impact-resistance and fully meets the requirements of IP 65 protection class.

General ordering data

Version	FrontCom, Insert Power large, Type J, Socket connector, CH
Order No.	1450780000
Type	IE-FCI-PWB-CH
GTIN (EAN)	4050118255553
Qty.	1 pc(s).

Creation date March 8, 2023 11:35:15 AM CET

Catalogue status 03.03.2023 / We reserve the right to make technical changes.

IE-FCI-PWB-CH

Weidmüller Interface GmbH & Co. KG

Klingenbergstraße 26

D-32758 Detmold

Germany

www.weidmueller.com

Technical data

Dimensions and weights

Net weight	25 g
------------	------

Temperatures

Storage temperature	-10 °C...70 °C	Operating temperature	-5 °C...40 °C
Operating temperature, min.	-5 °C	Operating temperature, max.	40 °C

General data

Connector face	Type J	Fire load	770 kJ
Insert type	Insert Power large	Protection degree	IP20

Clampable conductors

Conductor connection cross-section, extremely flexible with wire end ferrule	min.	1.5 mm ²
	max.	1.5 mm ²
Conductor connection cross-section, extremely flexible with wire end ferrule	1.5 ... 1.5 mm ²	
Conductor connection cross-section, extremely flexible without wire end ferrule	min.	1.5 mm ²
	max.	2.5 mm ²
Conductor connection cross-section, extremely flexible without wire end ferrule	1.5 ... 2.5 mm ²	
Conductor connection cross-section, flexible with wire end ferrule	max.	1.5 mm ²
	min.	1.5 mm ²
Conductor connection cross-section, flexible with wire end ferrule	1.5 ... 1.5 mm ²	
Conductor connection cross-section, flexible without wire end ferrule	1.5 ... 2.5 mm ²	
Conductor connection cross-section, flexible without wire end ferrule	min.	1.5 mm ²
	max.	2.5 mm ²
Conductor connection cross-section, rigid	1.5 ... 2.5 mm ²	
Conductor connection cross-section, rigid	min.	1.5 mm ²
	max.	2.5 mm ²
Stripping length	10 mm	
Type of connection	PUSH IN	

Technical data

Housing main material	Polycarbonate PC	Rated current	10 A
Rated voltage (AC)	250 V		

General standards

Certificate No. (DNVGL)	TAA000022B
-------------------------	------------

Classifications

ETIM 6.0	EC001121	ETIM 7.0	EC001121
ETIM 8.0	EC001121	ECLASS 9.0	27-44-03-90
ECLASS 9.1	27-18-90-90	ECLASS 10.0	27-44-03-90
ECLASS 11.0	27-44-03-90	ECLASS 12.0	27-18-28-92

Creation date March 8, 2023 11:35:15 AM CET

Catalogue status 03.03.2023 / We reserve the right to make technical changes.

IE-FCI-PWB-CH

Weidmüller Interface GmbH & Co. KG
 Klingenbergstraße 26
 D-32758 Detmold
 Germany

www.weidmueller.com

Technical data

Approvals

Approvals



ROHS Conform

Downloads

Approval/Certificate/Document of Conformity	GL FrontCom
Engineering Data	CAD data – STEP
User Documentation	MAN IE GUIDE DE MAN IE GUIDE EN Socket Insert Overview EN Socket Insert Overview DE Designation key / Type key
Catalogues	Catalogues in PDF-format
Brochures	MB FREECONCONTACT EN FL FIELDWIRING EN PI PROFINET CABLING EN PI PROFINET CABLING EN

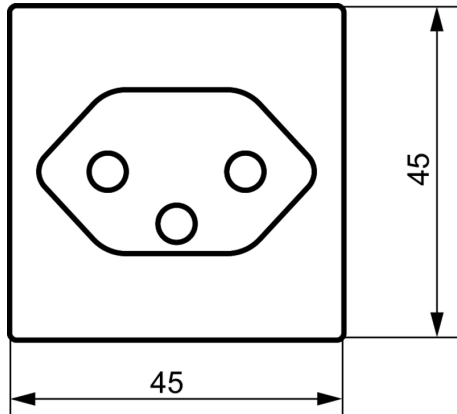
IE-FCI-PWB-CH

Weidmüller Interface GmbH & Co. KG
Klingenbergstraße 26
D-32758 Detmold
Germany

www.weidmueller.com

Drawings

Dimensioned drawing



Dimensioned drawing

